

**OHIO TURNPIKE AND  
INFRASTRUCTURE COMMISSION**

**ADDENDUM NO. 1**

**PROJECT NO. 59-17-01  
REPAIRS AND RESURFACING  
EASTBOUND AND WESTBOUND ROADWAYS  
MILEPOST 69.30 TO MILEPOST 74.15  
WOOD AND OTTAWA, OHIO**

**OPENING DATE: 2:00 P.M. (EASTERN TIME), FEBRUARY 14, 2017**

**ALL BIDS MUST BE ELECTRONICALLY SUBMITTED THROUGH BID EXPRESS**

**ATTENTION OF BIDDERS IS DIRECTED TO:**

**QUESTIONS AND ANSWERS THROUGH 5:00 P.M. ON JANUARY 7, 2017**

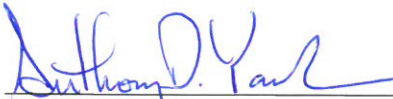
**-AND-**


**REVISIONS TO PLAN SHEETS 2, 12, 13**

**-AND-**

**UPDATED STANDARD DRAWINGS AS-1, AS-2, AS-3, AS-4 AND AS-5**

Issued by the Ohio Turnpike and Infrastructure Commission on February 8, 2017. Issuance authorized by Anthony D. Yacobucci, Chief Engineer, and Mark R. Musson, Director of Contracts Administration.

  
Anthony D. Yacobucci      2-8-17  
Date

  
Mark R. Musson      2/8/17  
Date

**OHIO TURNPIKE AND INFRASTRUCTURE COMMISSION  
ADDENDUM NO. 1  
PROJECT NO. 59-17-01**

**QUESTIONS AND ANSWERS THROUGH 5:00 P.M. ON FEBRUARY 7, 2017**

**Q#1 The quantity for pavement planing asphalt concrete (T=2") of 152,823 SY, appears to reflect only the mainline pavement at a width of 25.5', along with the contingency quantity of 10,560 SY for shoulder repairs. Please clarify that no work is taking place on the deceleration and acceleration ramps at Exit 71?**

*A#1 The quantities of pavement planing and asphalt paving quantities have been reviewed and recalculated. The following revisions are incorporated into Plan Sheet 12 of 13, Schedule of Items and the Estimated Quantities Worksheet through this Addendum No. 1:*

*ITEM 254 – PAVEMENT PLANING, ASPHALT CONCRETE (T=2") has been revised from ~~152,823~~ to **160,115**.*

*ITEM SP 403 – ASPHALT CONCRETE LEVELING COURSE, USING CRUSHED STONE, PG 76-22(FR) has been revised from ~~1,852~~ to **2,324**.*

*ITEM SP 404 – ASPHALT CONCRETE SURFACE COURSE, USING CRUSHED SLAG, PG 76-22(FR) has been revised from ~~5,928~~ to **6,231**.*

*ITEM SP 404A – JOINT SEALER has been revised from ~~51,168~~ to **53,692**.*

*ITEM 407 – NON-TRACKING TACK COAT has been revised from ~~24,000~~ to **25,000**.*

*Reference to SP 526 – ~~CLASS C CONCRETE, APPROACH SLAB, USING TYPE 1 CEMENT (T=12")~~ in Plan sheet 12 of 13 and 13 of 13 are revised through this Addendum No. 1 to specify ITEM 526 – **REINFORCED CONCRETE APPROACH SLABS (T=12")**. The revisions are incorporated through this Addendum No. 1 on Plan Sheets 12 of 13 and 13 of 13.*

*OTIC Standard Drawings AS-1, AS-2, AS-3, AS-4, and AS-5, all dated ~~November 28, 2014~~, are rescinded and replaced with OTIC Standard Drawings AS-1, AS-2, AS-3, AS-4, and AS-5, dated **July 5, 2016**. The updated standard drawings are incorporated through this Addendum No. 1.*

*The note for ITEM SPECIAL – SNAP MILL AND FILL is revised to include the use of **NON-TRACKING TACK COAT**. The revision is incorporated through this Addendum No. 1 on Plan Sheet 2 of 13.*

**Q#2 Can OTC Std Drawing TCB-3 be added to the Bid Express Plans?**

*A#2 OTIC standard drawing TCB-3 is provided with this Addendum No. 1.*

**Q#3 What specific (left, right, center) lanes are the approach slabs repairs located in?**

*A#3 The approach slab repairs are located in the left, center and right lanes for all 3 bridge approach locations identified in the Plans.*

**Q#4 Regarding Note 3 under FULL DEPTH REPAIR, sheet 13/13, it says Full Depth Repairs to be performed in the Right, Center and Left Lane for this location (EB MP 74 \*). Since the left lane is not designated to be resurfaced, what should be replacement material be in the Left Lane? Also, it appears the qty for the Left Lane was not added to the overall qty.**

*A#4 The left lane repair will utilize the same materials that are used for the full depth repairs for the center and right lane. The Contractor shall plan it's operations accordingly to ensure that the repair is complete and surfaced prior to opening the left lane to traffic. The quantity of FULL DEPTH REPAIR has been reviewed and revised to include work to be performed in the left lane at eastbound MP 74. The revised quantity has been carried to the estimated quantity sheet and the revised sheets 12 of 13 and 13 of 13 are included with this Addendum No. 1.*

**Q#5 Does Note 5 on sheet 3/13 apply to this project?**

*A#5 Note 5 on sheet 3 of 13 applies to this project. The Contractor shall submit its method for locating the edge of the existing concrete base pavement to the Chief Engineer for approval.*

**Q#6 Regarding the Permitted Lane closure times, there are currently only lanes closure times mentioned between EB & WB mp 64 to mp 71. The job limits are from mp 69.3 to mp 74.15. Are there any Permitted Lanes Closure times east of MP 71?**

*A#6 The Appendix B in the Specifications is supplemented through this Addendum No. 1 to incorporate the Permitted Lane Closures from MP 71 to MP 81 on pages SP-156 through SP-163 for both eastbound and westbound traffic.*

**Q#7 Is there a list of certified companies that are available to participate on this project to achieve the 9% SBE goal?**

*A#7 The Commission identified the enclosed unexhaustive list of certified businesses that are available for participation credit on the project.*

Addendum No. 1 to Contract 59-17-01:

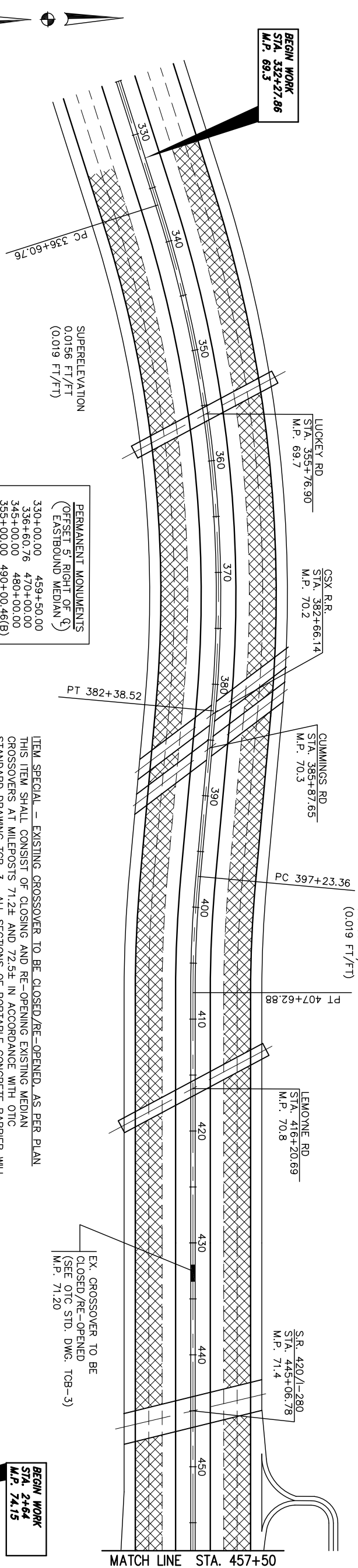
\_\_\_\_\_  
(Firm Name)

\_\_\_\_\_  
(Signature)

\_\_\_\_\_  
(Printed Name)

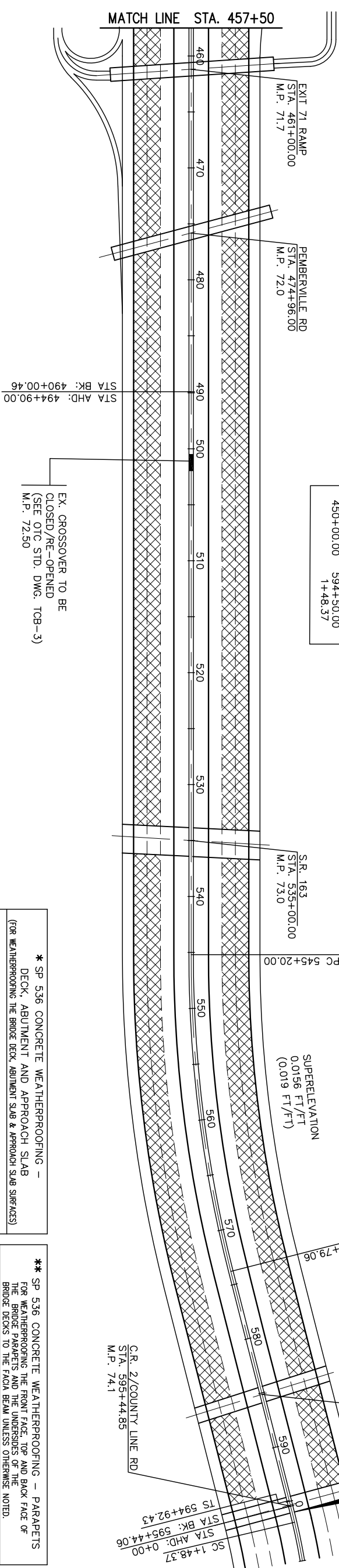
Date: \_\_\_\_\_

**LEGEND**  
 X.XX FT/FT = SUPERELEVATION FOR  
 RIGHT AND CENTER LANE  
 (X.XX FT/FT) = SUPERELEVATION FOR  
 LEFT LANE



**PERMANENT MONUMENTS (OFFSET 5' RIGHT OF Q) (EASTBOUND MEDIAN)**

330+00.00	459+50.00
336+60.76	470+00.00
345+00.00	480+00.00
355+00.00	490+00.46(B)
365+00.00	500+00.00
373+00.00	509+50.00
381+00.00	525+00.00
390+00.00	536+00.00
397+23.36	545+20.00
407+62.88	555+50.00
410+00.00	565+00.00
420+00.00	573+79.06
430+00.00	580+00.00
440+00.00	590+00.00
450+00.00	594+50.00
	1+48.37



**ITEM SPECIAL - EXISTING CROSSEVER TO BE CLOSED/RE-OPENED, AS PER PLAN**  
 THIS ITEM SHALL CONSIST OF CLOSING AND RE-OPENING EXISTING MEDIAN CROSSEVERS AT MILEPOSTS 71.2E AND 72.5E IN ACCORDANCE WITH OTC STANDARD DRAWING TCB-3. ALL SECTIONS OF PORTABLE CONCRETE BARRIER WILL BE PROVIDED BY THE CONTRACTOR. PAYMENT FOR THIS ITEM SHALL BE AT THE CONTRACT UNIT PRICE BID FOR EACH AND SHALL BE CONSIDERED FULL COMPENSATION FOR ALL LABOR, EQUIPMENT, MATERIALS AND INCIDENTALS, INCLUDING PROVIDING NCHRP 350 APPROVED TEMPORARY CONCRETE BARRIER, NECESSARY TO COMPLETE THE WORK TO CLOSE AND RE-OPEN THE CROSSEVERS.

**ITEM SPECIAL - SNAP MILL AND FILL**  
 MAINTENANCE OF TRAFFIC ON THE MEDIAN/LEFT SHOULDER, AND THE RIGHT SHOULDER(S) WILL REQUIRE THE EXISTING "SNAPS" TO BE MILLED AND FILLED. PAYMENT FOR THIS ITEM SHALL INCLUDE ALL OF THE FOLLOWING: REMOVAL OF THE EXISTING "SNAPS" BY MILLING 1 1/2" DEEP AND 5' WIDE; TACK COATING ALL EXPOSED MILLED SURFACES WITH NON-TRACKING TACK COAT; AND PAVING THE MILLED AREA WITH 1 1/2" OF ITEM SP 404 - ASPHALT CONCRETE SURFACE COURSE, USING CRUSHED STONE, PG 64-22. ALL LABOR, EQUIPMENT, MATERIALS, AND INCIDENTALS NEEDED TO COMPLETE THE ABOVE MENTIONED WORK SHALL BE INCLUDED IN THE UNIT PRICE BID FOR ITEM SPECIAL - "SNAP" MILL AND FILL. ADDITIONALLY, EASTBOUND AND WESTBOUND, THE 5' WIDE SNAP MILL AND FILL SHALL BE CENTERED TO INCLUDE THE REMOVAL OF THE EXISTING SNAPS. THE AREA BETWEEN THE YELLOW/WHITE EDGE LINE AND THE EXISTING SNAPS, AND THE YELLOW/WHITE EDGE LINE. THE CONTRACTOR SHALL PLAN ITS OPERATIONS ACCORDINGLY TO COMPLETE THIS WORK. ADJUSTMENTS MAY BE MADE BY THE CHIEF ENGINEER TO INSURE THAT THE YELLOW/WHITE EDGE LINE AND SNAPS ARE REMOVED APPROPRIATELY.

**\* SP 536 CONCRETE WEATHERPROOFING - DECK, ABUTMENT AND APPROACH SLAB (FOR WEATHERPROOFING THE BRIDGE DECK, ABUTMENT SLAB & APPROACH SLAB SURFACES)**

CSX R.R.	1520 S.Y.
CUMMINGS RD	1560 S.Y.
S.R. 420/-280	2312 S.Y.
S.R. 163	1448 S.Y.
CONRAIL R.R.	2056 S.Y.
C.R. 2/COUNTY LINE RD	1200 S.Y.
<b>SUBTOTAL</b>	<b>10,096 S.Y.</b>

**\*\* SP 536 CONCRETE WEATHERPROOFING - PARAPETS (FOR WEATHERPROOFING THE FRONT FACE, TOP AND BACK FACE OF THE BRIDGE PARAPETS AND THE UNDERSIDES OF THE BRIDGE DECKS TO THE FACE BEAM UNLESS OTHERWISE NOTED.)**

+ CSX R.R.	296 S.Y.
+ CUMMINGS RD	433 S.Y.
+ S.R. 420/-280	642 S.Y.
+ S.R. 163	402 S.Y.
+ CONRAIL R.R.	400 S.Y.
+ C.R. 2/COUNTY LINE RD	333 S.Y.
<b>SUBTOTAL</b>	<b>2,506 S.Y.</b>

**\* AREA TO BE WEATHERPROOFED IS FROM DECK CUT LINE TO TOE OF OUTSIDE/RIGHT PARAPET.**

**\*\* PARAPET WEATHERPROOFING WILL REQUIRE TRAFFIC CONTROL ON LOCAL ROADS IN ACCORDANCE WITH APPLICABLE SECTIONS OF THE CURRENT EDITION OF THE OHIO MANUAL UNIFORM TRAFFIC CONTROL DEVICES AND ODOT STANDARD DRAWINGS. TRAFFIC CONTROL WORK INCIDENTAL TO SP 614 MAINTAINING TRAFFIC TWO-WAY TRAFFIC SHALL BE MAINTAINED AT ALL TIMES. + FOR WEATHERPROOFING THE FRONT FACE, TOP AND UPPER 2'-8" OF THE BACK FACE OF THE BRIDGE PARAPET.**

**RESURFACING PLAN  
 STA. 332+27.87 TO STA. 2+64**

DESIGNED	CHECKED	NO.	REVISIONS	BY	DATE
JJS	TWB	1	ADDENDUM NO. 1	JJS	2/6/17
DRAWN	IN CHARGE				
JJS	DCA				

**PROJECT 59-17-01**

ESTIMATED QUANTITY		ITEM DESCRIPTION
ITEM	TOTAL	UNIT
IB: ART. 6	1	LUMP PREMIUM FOR CONTRACT PERFORMANCE BOND AND PAYMENT BOND
202	1,000	FOOT GUARDRAIL REMOVED FOR REUSE
202	3,000	FOOT GUARDRAIL REMOVED
202	180	SQ.YD. APPROACH SLAB REMOVED
SP 202B	20	CU.YD. CRACK REPAIR, 1" OR LESS, USING SAND ASPHALT
SP 202B	2,000	GALLON CRACK REPAIR, 1" OR LESS, USING HOT JOINT SEALER
SP 202B	20	CU.YD. CRACK REPAIR, WIDER THAN 1" AND LESS THAN 1" IN DEPTH, USING ITEM SP 404 (PG 64-22)
SP 202B	20	CU.YD. CRACK REPAIR, WIDER THAN 1" AND GREATER THAN 1" IN DEPTH, USING SP 402 (PG 64-22)
SP 202B	20	CU.YD. 3 CORNER CRACK REPAIR, USING ITEM SP 402 (PG 64-22)
SP 202B	20	CU.YD. REPAIR EXISTING EXPANSION JOINT, USING ITEM SP 404 (PG 64-22)
204	50	CU.YD. EXCAVATION OF SUBGRADE
204	50	CU.YD. EMBANKMENT
204	300	SQ.YD. SUBGRADE COMPACTION
254	160,115	SQ.YD. PAVEMENT PLANING, ASPHALT CONCRETE (T=2")
254	1,240	SQ.YD. PAVEMENT PLANING, PORTLAND CEMENT CONCRETE, AS PER PLAN
SP 304	50	CU.YD. AGGREGATE BASE
SP 403	2,324	CU.YD. ASPHALT CONCRETE LEVELING COURSE, USING CRUSHED STONE, PG 76-22(FR)
SP 404	590	CU.YD. ASPHALT CONCRETE SURFACE COURSE, USING CRUSHED STONE, PG 64-22
SP 404	6,237	CU.YD. ASPHALT CONCRETE SURFACE COURSE, USING CRUSHED SLAG, PG 76-22(FR)
SP 404A	53,692	FOOT JOINT SEALER
407	25,000	GALLON NON-TRACKING TACK COAT
SP 451	466,67	SQ.YD. FULL DEPTH PAVEMENT REPAIRS (ASPHALT)
526	180,00	SQ.YD. REINFORCED CONCRETE APPROACH SLABS (T=12")
SP 538	70,098	SQ.YD. CONCRETE WEATHERPROOFING, DECK, ABUTMENT SLABS AND APPROACH SLABS
SP 536	2,506	SQ.YD. CONCRETE WEATHERPROOFING, PARAPETS
604	69	EACH CATCH BASIN, ADJUSTED TO GRADE, LESS THAN 4", AS PER PLAN
604	41	EACH CATCH BASIN, ADJUSTED TO GRADE, 4" - 12", AS PER PLAN
604	8	EACH CATCH BASIN, ADJUSTED TO GRADE, GREATER THAN 12", AS PER PLAN
604	5	EACH CATCH BASIN, GRATE AND CASTING, AS PER PLAN
SP 605	900	FOOT AGGREGATE DRAINS, TYPE II
606	3,000	FOOT GUARDRAIL, TYPE MGS, USING LONG STEEL POSTS
606	1,000	FOOT GUARDRAIL REBUILT, TYPE 5, USING STEEL POSTS
609	1,000	FOOT ASPHALT CONCRETE CURB, TYPE I, PG 64-22
SP 614	1	LUMP MAINTAINING TRAFFIC, AS PER PLAN
SP 614	2,160	HOURS ZONE PERSON
614	50	CU.YD. ASPHALT CONCRETE FOR MAINTAINING TRAFFIC, AS PER PLAN
614	10,30	MILE WORK ZONE EDGE LINE, CLASS 1, 740.02 TYPE 1
614	10,30	MILE WORK ZONE LANE LINE, CLASS 1, 740.02 TYPE 1
614	15,840	FOOT WORK ZONE CHANNELIZING LINE, CLASS 1, 740.02 TYPE 1
614	5,048	FOOT WORK ZONE CHANNELIZING LINE, CLASS 1, 740.06 TYPE 1
617	52,100	SQ.YD. SHOULDER PREPARATION
617	4,000	CU.YD. COMPACTED AGGREGATE
617	50	M. GAL. WATER
619	1	LUMP FIELD OFFICE, AS PER PLAN
621	1,314	EACH RAISED PAVEMENT MARKERS REMOVED
SP 621	1,314	EACH RAISED PAVEMENT MARKERS
SP 623	1	LUMP CONSTRUCTION LAYOUT SURVEY
624	1	LUMP MOBILIZATION
SP 626	400	EACH BARRIER REFLECTOR, TYPE A (WHITE)
SP 626	200	EACH BARRIER REFLECTOR, TYPE B (WHITE)
SP 626	2,400	EACH BARRIER REFLECTOR, TYPE B (YELLOW)
SP 626A	1,500	EACH CONSTRUCTION ZONE MARKERS, ONE WAY MODEL
SP 627	785	CU.YD. STONE SHOULDER PROTECTION
SP 641A	0.60	MILE TEMPORARY REMOVAL OF EXISTING PAVEMENT MARKINGS
SP 641C	32.70	MILE REMOVAL OF PAVEMENT MARKING
642	21.40	MILE 6" WHITE LANE LINE, TYPE 1
642	11.70	MILE 6" WHITE EDGE LINE, TYPE 1
642	12.90	MILE 6" YELLOW EDGE LINE, TYPE 1
642	2,000	FOOT 12" WHITE CHANNELIZING LINE, TYPE 1
642	2,000	FOOT WHITE DOTTED LINE, 6" WHITE, TYPE 1
SPECIAL	10.90	MILE SNAP MILL AND FILL
SPECIAL	12.70	MILE SONIC NAP ALERT PATTERN (SNAP)
SPECIAL	2	EACH EXISTING CROSSOVER TO BE CLOSED/RE-OPENED, AS PER PLAN
SPECIAL	56	SQ.YD. PATCHING CONCRETE BRIDGE DECKS, TYPE B
SPECIAL	82,100	SQ.YD. ASPHALT REJUVENATOR, POLYMER EMULSION

▲ ▲ ▲ ▲ ▲

\* CONTINGENCY QUANTITY TO BE USED AS DIRECTED BY CHIEF ENGINEER (SEE GENERAL NOTES).  
 \*\* PORTION OF THIS ITEM IS CONTINGENCY QUANTITY (SEE PLANS AND GENERAL NOTES).

APPROX MILEPOST	DIRECTION		604 EACH	604 EACH	604 EACH
	EB	WB			
69.3	X	X	2		
69.39	X	X	2		
69.44	X	X	2		
69.5	X	X	2		
69.57	X	X	2		
69.65	X	X	2		
69.73	X	X	2		
69.78	X	X	2		
69.83	X	X	2		
70.17	X	X	2		
70.38	X	X	2		
70.51	X	X	2		
70.68	X	X	2		
70.71	X	X	2		
70.75	X	X	2		
70.81	X	X	2		
70.87	X	X	2		
70.95	X	X	2		
71	X	X	2		
71.04	X	X	2		
71.09	X	X	2		
71.12	X	X	2		
71.15	X	X	2		
71.64	X	X		1	
71.72	X	X		2	
71.75	X	X	1	1	
71.77	X		1		
71.9	X	X		1	1
71.94	X	X	2		
72.06	X	X		2	
72.09	X	X	1	1	
72.14	X	X	1		1
72.22	X	X	2		
72.29	X	X	2		
72.4	X	X		2	
72.46	X	X	2		
72.51	X	X	1	1	
72.58	X	X	1	1	
72.62	X	X	2		
72.72	X	X	2		
72.75	X	X	2		
72.81	X	X	1	1	
72.88	X	X	1	1	1
73.24	X	X	1		
73.34	X	X	2		
73.35	X	X	2		
73.43	X	X	1	1	
73.49	X	X	2		
73.52	X	X	2		
73.57	X	X	1	1	1
73.6	X		1	1	
73.65	X	X	1	1	
73.77	X		2		
<b>TOTAL</b>			<b>64</b>	<b>36</b>	<b>3</b>

CATCH BASIN ADJUSTED TO GRADE NOTE(S):  
 1) CATCH BASIN NUMBERS AND LOCATIONS ARE APPROXIMATE AND MAY BE ADJUSTED BY THE CHIEF ENGINEER AS NEEDED.

APPROX MILEPOST	LANE			SP 451 S.Y.
	RIGHT	CENTER	LEFT	
69.38		X		13.33
70.2	X			13.33
71.45	X	X		26.67
71.75	X			13.33
72.29	X			13.33
72.3	X			13.33
73	X	X		53.33
73.98	X	X		26.67
74 (*)	X	X		40.00
<b>WB</b>				
69.7		X		26.67
71.45	X	X		26.67
71.73	X	X		26.67
72.01	X	X		13.33
72.35	X	X		26.67
73.02		X		13.33
73.05	X	X		26.67
73.45	X	X		26.67
73.6	X	X		26.67
73.95	X	X		13.33
74.2	X	X		26.67
<b>TOTAL</b>				<b>466.67</b>

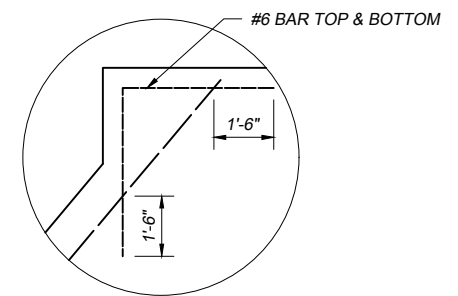
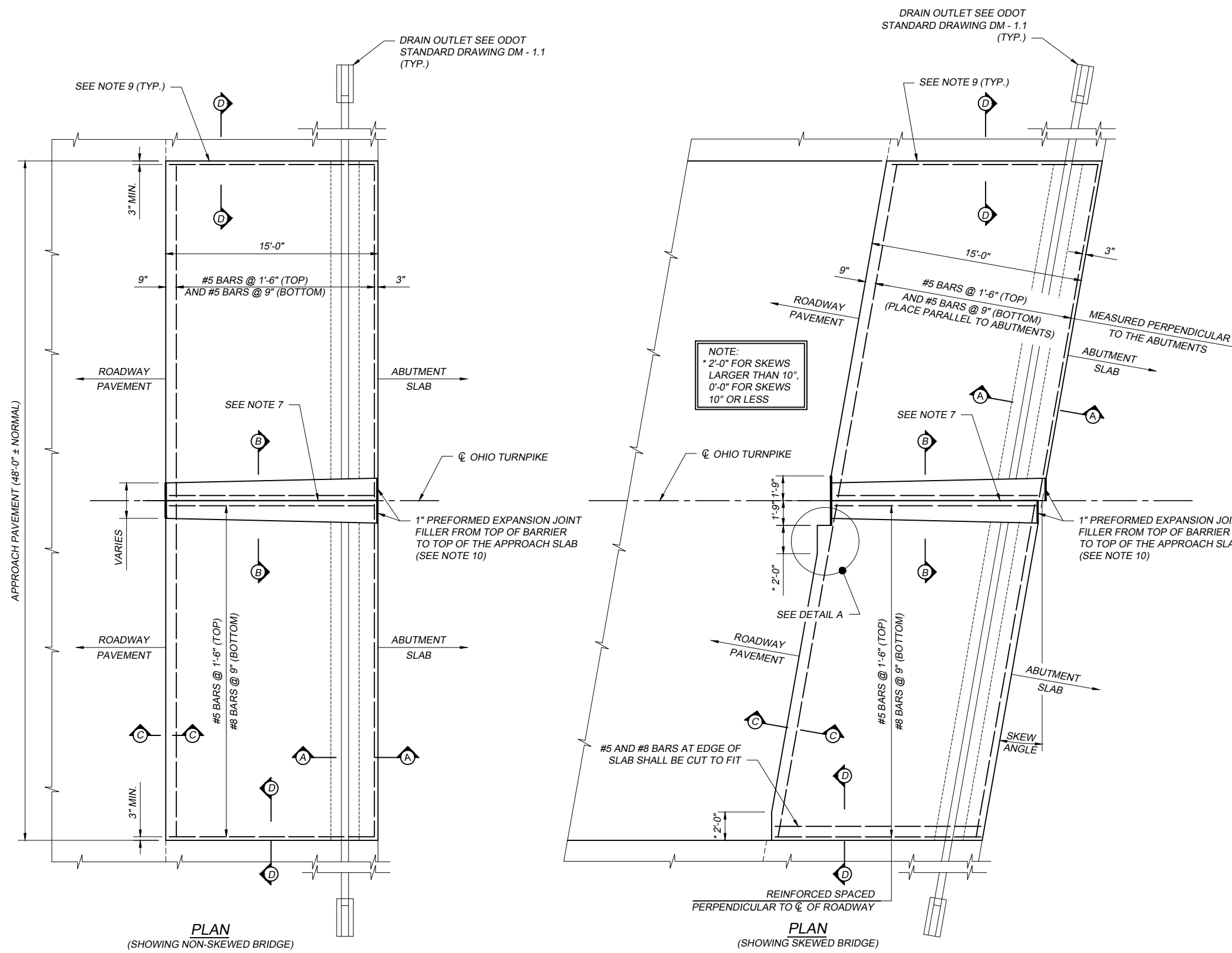
FULL DEPTH REPAIR NOTE(S):

- 1.-ALL FULL DEPTH REPAIR(S) EXCAVATED DURING A WORK SHIFT SHALL BE FILLED TO THE MILLED SURFACE DURING THAT SAME WORK SHIFT. NO REPAIR SHALL BE LEFT OPEN BEYOND THE END OF THE SHIFT. THE CONTRACTOR SHALL PLAN ITS OPERATIONS ACCORDINGLY.
- 2.-ALL FULL DEPTH REPAIR(S) ARE APPROXIMATE AND MAY BE ADJUSTED BY THE CHIEF ENGINEER.
- 3.-(\*) FULL DEPTH REPAIRS ARE TO BE PERFORMED IN THE RIGHT, CENTER AND LEFT LANES FOR THIS LOCATION ONLY. WORK IN LEFT LANE SHALL BE ACCOMPLISHED USING PHASE 2 TEMPORARY TRAFFIC CONTROL.

APPROX MILEPOST OF BRIDGE	APPROACH SLAB LOCATION IN DIRECTION OF TRAVEL		526 S.Y.	202 S.Y.
	LEAD	TRAIL		
E.B.				
71.45	X		60.00	60.00
W.B.				
73.05	X		60.00	60.00
74.2	X		60.00	60.00
<b>TOTAL</b>			<b>180.00</b>	<b>180.00</b>

APPROACH SLAB REPAIR NOTE(S):

APPROACH SLAB REMOVAL AND REPLACEMENT PERFORMED DURING A WORK SHIFT SHALL BE COMPLETED DURING THAT SAME WORK SHIFT. NO REPAIR SHALL BE LEFT OPEN BEYOND END OF THE SHIFT. ALL PLANNING, LABOR, EQUIPMENT, MATERIALS AND INCIDENTALS NEEDED TO ENSURE THE WORK IS COMPLETED DURING THE WORK SHIFT SHALL BE CONSIDERED INCIDENTAL TO THE ITEM.



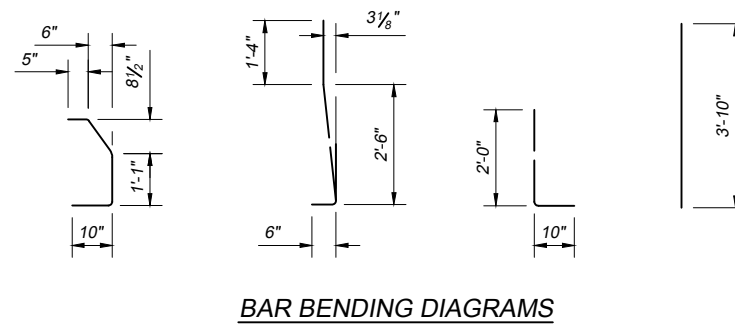
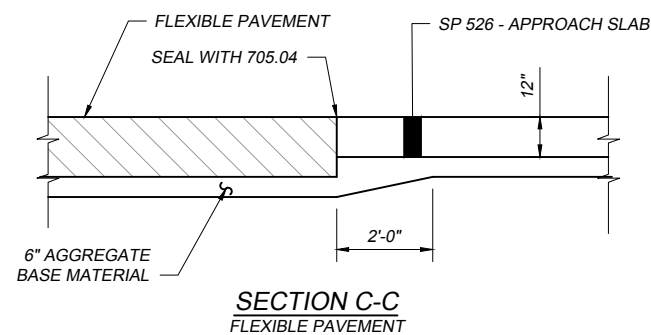
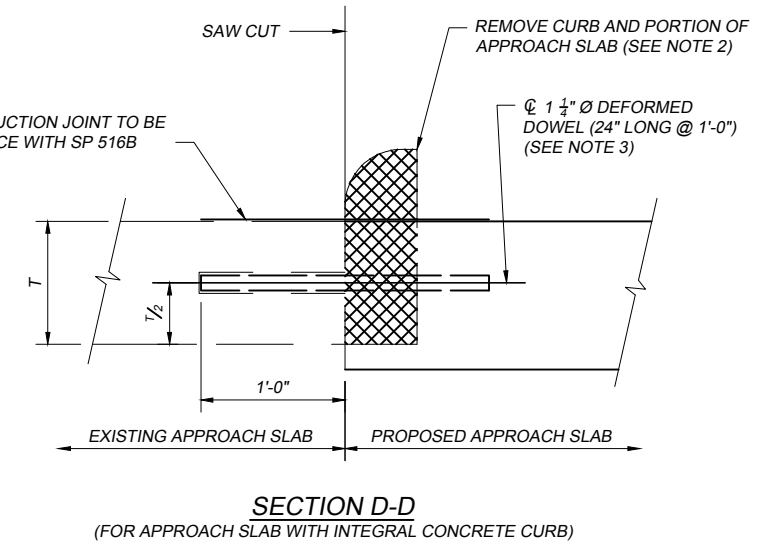
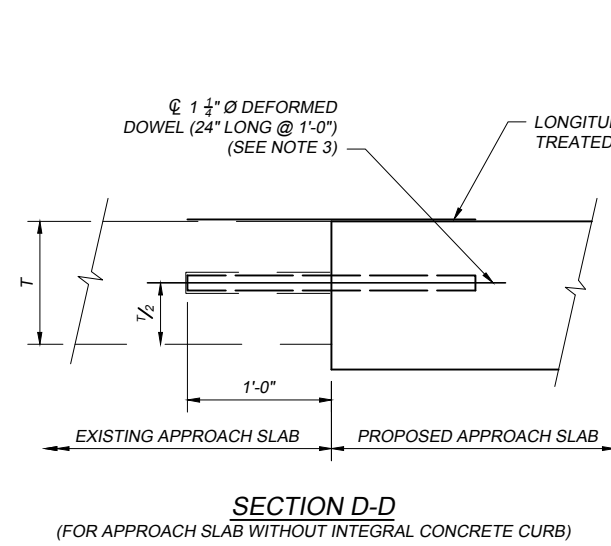
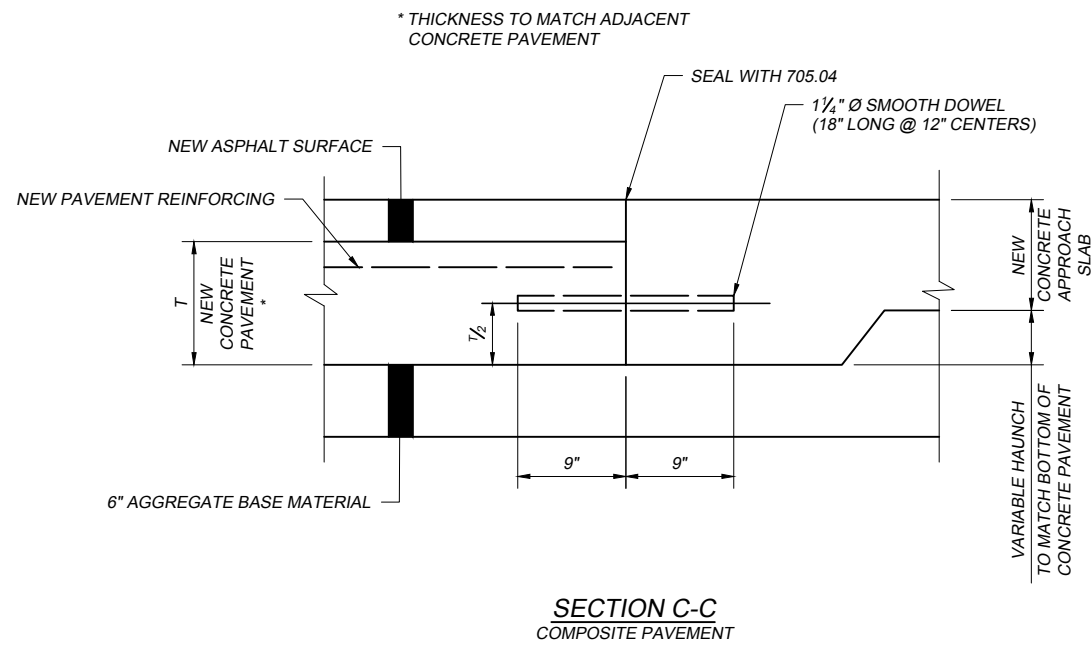
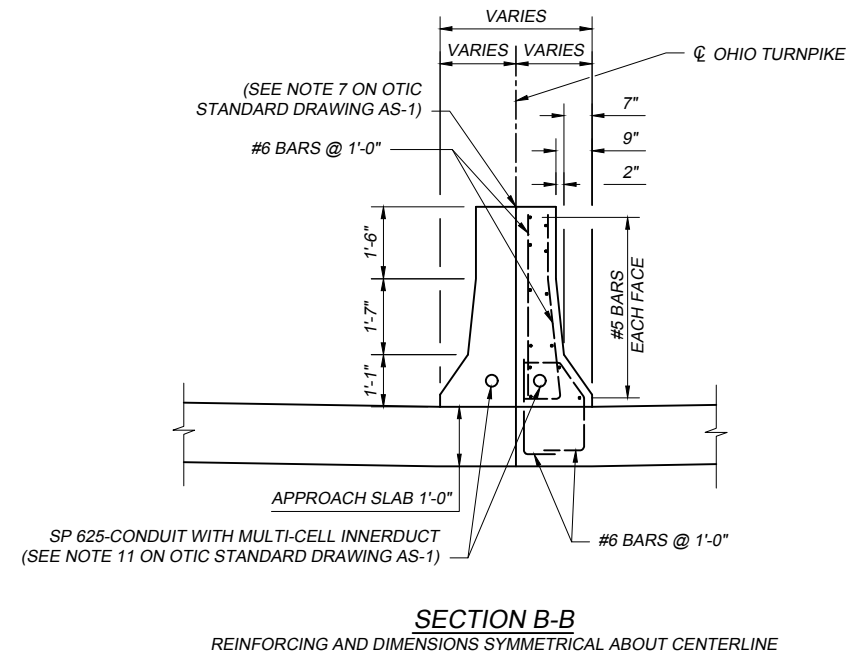
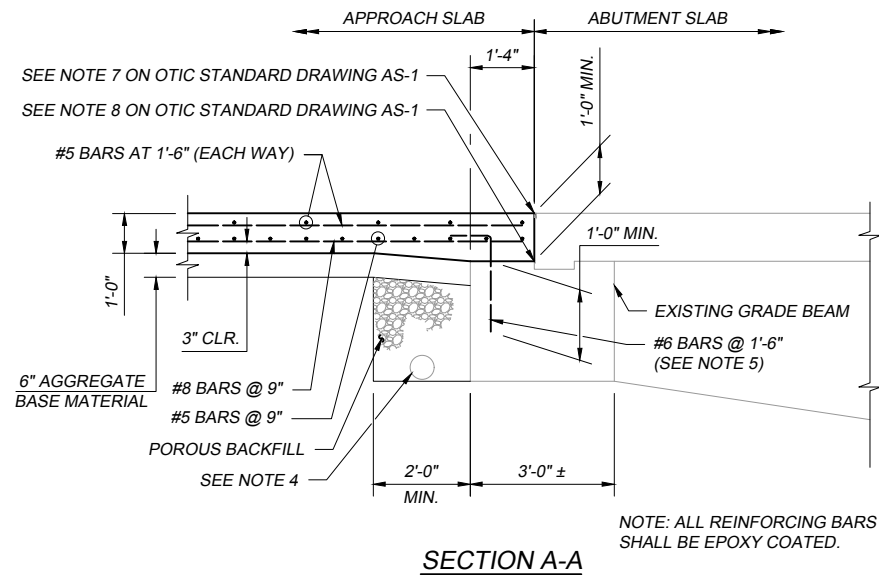
**DETAIL A**  
(ONLY REQUIRED AT BRIDGES WITH SKEW GREATER THAN 10 DEGREES)

**NOTES:**

1. THIS DRAWING PROVIDES DESIGN AND GENERAL CONSTRUCTION DETAILS. THE PROJECT PLANS WILL SHOW SKEW, ESTIMATED QUANTITY (SQ. YDS.), AND SPECIAL NOTES AND DETAILS, WHERE NECESSARY, FOR CONDITIONS OTHER THAN THOSE INDICATED HEREON. THE APPROACH SLAB SHALL BE ADAPTED TO FIT THE ENDS OF THE ABUTMENT SLAB AND THE APPROACH PAVEMENT.
2. CONCRETE: CLASS S. REINFORCING STEEL: GRADE 60 MIN YIELD STRENGTH 60,000 P.S.I., SHALL BE EPOXY COATED AND AS PER ITEM 509.
3. LONGITUDINAL CONSTRUCTION JOINTS REQUIRED FOR STAGE CONSTRUCTION SHALL BE AS PER 511.12 AND SHALL BE TREATED IN ACCORDANCE WITH SP 516B.
4. CROWN SHALL CONFORM TO THAT OF THE BRIDGE DECK. IF THE RATE OF CROWN OF THE BRIDGE DECK DIFFERS FROM THAT OF THE APPROACH ASPHALT PAVEMENT, A SMOOTH TRANSITION SHALL BE PROVIDED ON THE APPROACH ASPHALT PAVEMENT AT A TRANSITION RATE OF 1 TO 200.
5. TRANSVERSE JOINT DETAILS AT THE APPROACH PAVEMENT END OF THE APPROACH SLAB SHALL BE AS DETAILED ON OTIC STANDARD DRAWING AS-2.
6. BASE MATERIAL SHALL BE SP 304-AGGREGATE BASE.
7. GROOVE AND SEAL WITH 705.04 AS PER ODOT STANDARD DRAWING BP-2.1
8. TYPE A WATERPROOFING SHALL NOT EXTEND ABOVE THE BOTTOM OF THE GROOVE INTO WHICH THE JOINT SEALER IS TO BE PLACED. IT SHALL BE APPLIED TO THE ENTIRE AREA OF THE ABUTMENT OR SUPERSTRUCTURE WHICH COMES INTO CONTACT WITH THE APPROACH SLAB.
9. THE JOINT BETWEEN THE EXISTING AND THE NEW APPROACH SLABS SHALL BE AS SHOWN IN SECTION 'D-D'.
10. 1" PREFORMED EXPANSION JOINT FILLER SHALL BE PER 705.03
11. THE TWO 4" DIAMETER PVC CONDUITS WITH MULTI-CELL INNERDUCT SHALL COMPLY WITH SP 625.
12. FOR SECTIONS 'A-A', 'B-B', 'C-C' AND 'D-D' AND ADDITIONAL INFORMATION, SEE OTIC STANDARD DRAWING AS-2.
13. THE FOLLOWING ITEMS SHALL BE INCLUDED IN THE UNIT PRICE BID PER SQUARE YARD FOR ITEM 526, REINFORCED CONCRETE APPROACH SLABS (T=12"):

- : ALL JOINTS, INCLUDING DOWEL HOLES, DOWELS, AND GROUT
- : GROOVE AND JOINT SEAL
- : TYPE 'A' WATERPROOFING
- : 1" PREFORMED EXPANSION JOINT FILLER
- : MEDIAN BARRIERS
- : REINFORCING STEEL
- : POROUS BACKFILL
- : 6" PERFORATED CORRUGATED PLASTIC PIPE, 6" CORRUGATED PLASTIC PIPE, AND PRECAST REINFORCED CONCRETE OUTLET PER ODOT STANDARD DRAWING DM 1.1.

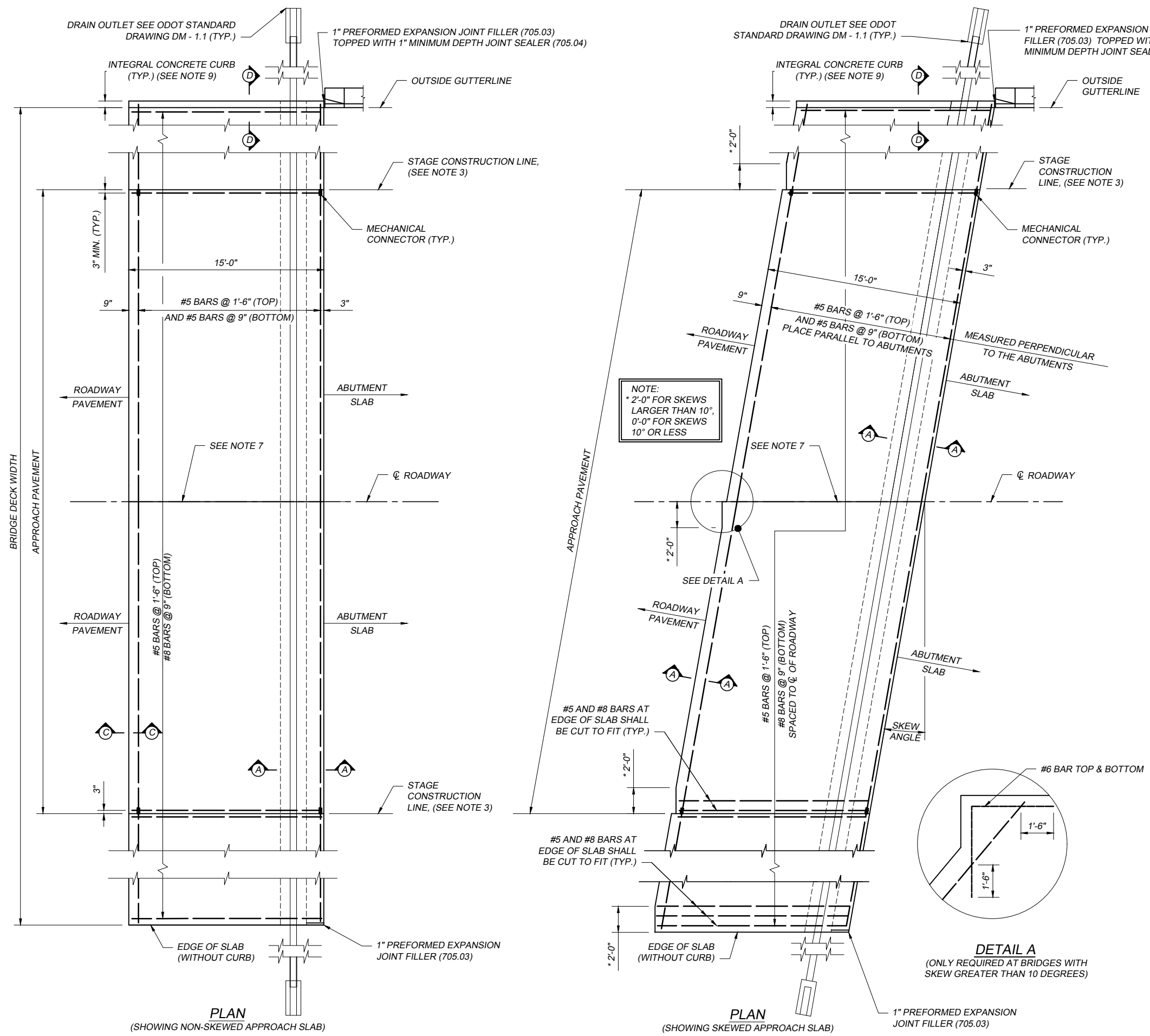
AS-2\_07-05-16.DWG; 10/24/16 - 2:09pm



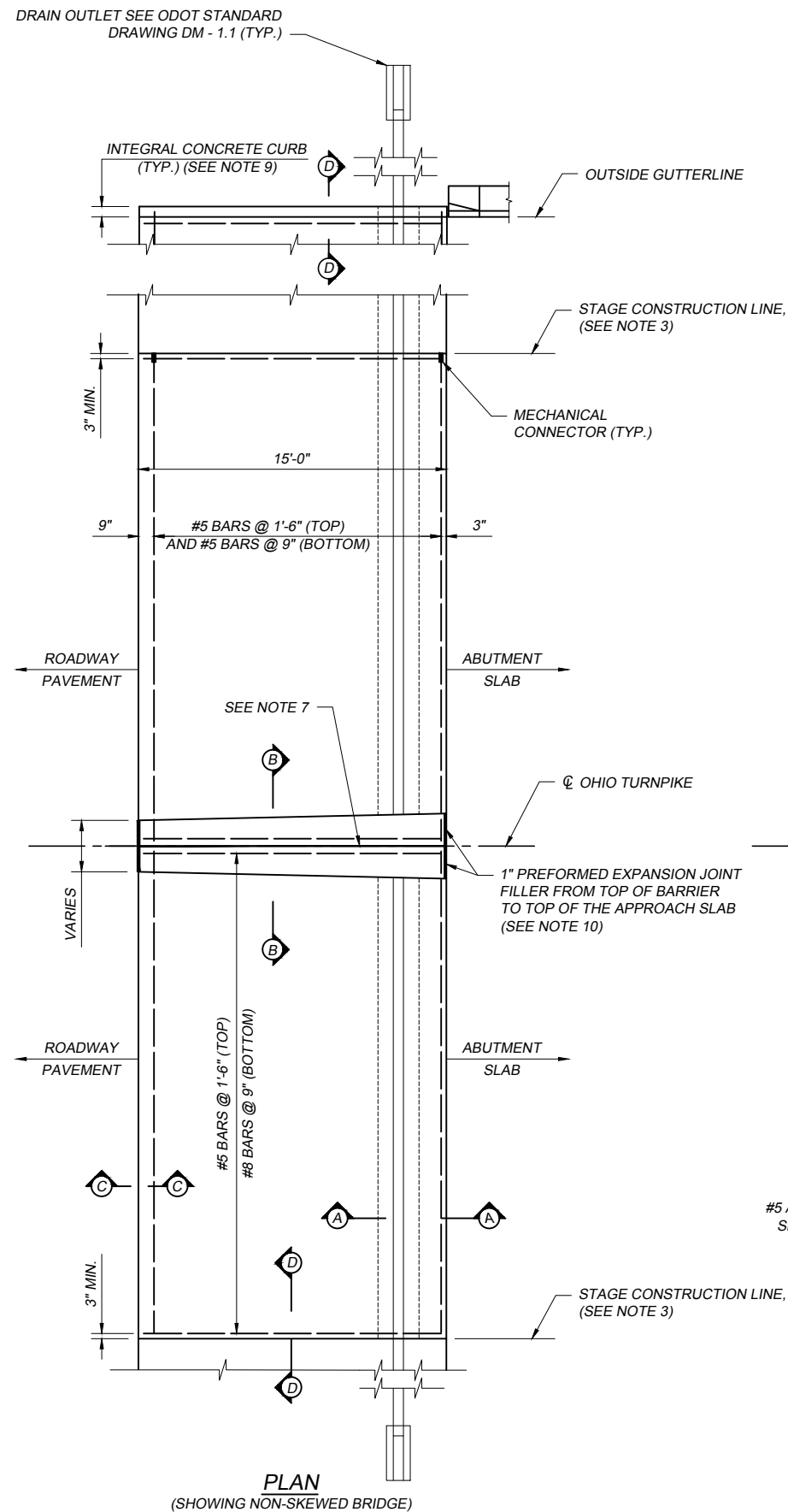
NOTES:

- FOR LOCATIONS OF SECTIONS 'A-A', 'B-B', 'C-C' AND 'D-D' AND ADDITIONAL NOTES, SEE OTIC STANDARD DRAWING AS-1.
- THE REMOVAL SHALL BE PER SP 202 BUT THE COST OF THE REMOVAL SHALL BE INCIDENTAL TO THE COST OF ITEM 526, REINFORCED CONCRETE APPROACH SLABS (T=12").
- DRILL 1 3/4" Ø HOLE INTO EXISTING CONCRETE. PARTIALLY FILL WITH NONSHRINKING GROUT BEFORE INSERTING DOWEL PER 510.03 AND THE COST IS INCIDENTAL TO THE COST OF ITEM 526, REINFORCED CONCRETE APPROACH SLABS (T=12").
- 6" DRAIN PIPE SHALL BE PERFORATED CORRUGATED PLASTIC PIPE PER SP 606, SLOPED AT 1/8" / FT. TO DRAIN. THE STONE SHALL BE IN ACCORDANCE WITH SP 606. THE 6" NON-PERFORATED DRAIN PIPE SHALL BE OUTLETTED AT A 2% PREFERRED MINIMUM SLOPE ONTO THE ADJACENT EMBANKMENT. PROVIDE A PRECAST REINFORCED CONCRETE OUTLET PER ODOT STANDARD DRAWING DM 1.1. COST IS INCIDENTAL TO THE COST OF ITEM 526, REINFORCED CONCRETE APPROACH SLABS (T=12").
- DRILL HOLES INTO EXISTING CONCRETE GRADE BEAM AND PLACE NONSHRINK, NONMETALLIC GROUT AND DOWEL BARS IN ACCORDANCE WITH 510.03. COST IS INCIDENTAL TO THE COST OF ITEM 526, REINFORCED CONCRETE APPROACH SLABS (T=12").

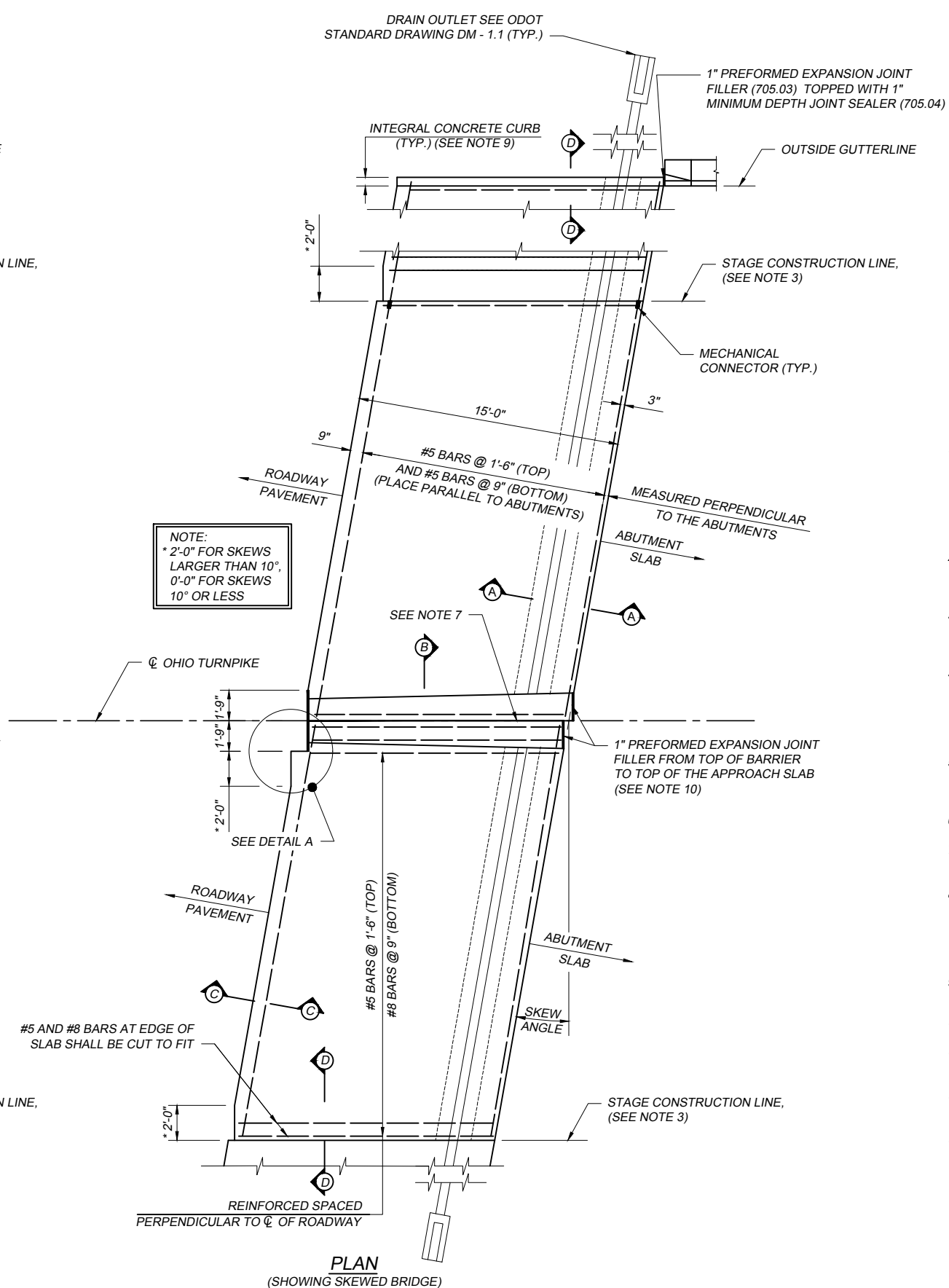




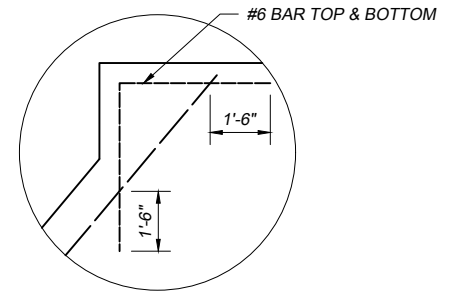
- NOTES:**
- THIS DRAWING PROVIDES DESIGN AND GENERAL CONSTRUCTION DETAILS. THE PROJECT PLANS WILL SHOW SKEW, CURBS (IF ANY), ESTIMATED QUANTITY (SQ. YDS.), AND SPECIAL NOTES AND DETAILS, WHERE NECESSARY FOR CONDITIONS OTHER THAN THOSE INDICATED HEREON. THE APPROACH SLAB SHALL BE ADAPTED TO FIT THE ENDS OF THE ABUTMENT SLAB AND THE APPROACH PAVEMENT.
  - CONCRETE: CLASS S. REINFORCING STEEL: GRADE 60 MIN YIELD STRENGTH 60,000 P.S.I., SHALL BE EPOXY COATED AND AS PER ITEM 509.
  - LONGITUDINAL CONSTRUCTION JOINTS REQUIRED FOR STAGE CONSTRUCTION SHALL BE AS PER 511.12 AND SHALL BE TREATED IN ACCORDANCE WITH SP 516B.
  - CROWN SHALL CONFORM TO THAT OF THE APPROACH PAVEMENT AND BRIDGE DECK. IF THE RATE OF CROWN OF THE BRIDGE DECK DIFFERS FROM THAT OF THE APPROACH PAVEMENT, A SMOOTH TRANSITION SHALL BE PROVIDED ON THE APPROACH PAVEMENT AT A TRANSITION RATE OF 1 TO 200.
  - TRANSVERSE JOINT DETAILS AT THE APPROACH PAVEMENT END OF THE APPROACH SLAB SHALL BE AS DETAILED ON OTIC STANDARD DRAWING AS-5.
  - BASE MATERIAL SHALL BE SP 304-AGGREGATE BASE.
  - GROOVE AND SEAL WITH 705.04 AS PER ODOT STANDARD DRAWING BP-2.1.
  - TYPE A WATERPROOFING SHALL NOT EXTEND ABOVE THE BOTTOM OF THE GROOVE INTO WHICH THE JOINT SEALER IS TO BE PLACED. IT SHALL BE APPLIED TO THE ENTIRE AREA OF THE ABUTMENT OR SUPERSTRUCTURE WHICH COMES INTO CONTACT WITH THE APPROACH SLAB.
  - THE INTEGRAL CONCRETE CURB SHALL BE PROVIDED ON THE NEW APPROACH SLAB AS INDICATED ON THE PROJECT PLANS AND SHOWN IN SECTION 'D-D'.
  - 1" PERFORMED EXPANSION JOINT FILLER SHALL BE PER 705.03.
  - CURBS, BRIDGES WITH SIDEWALKS: FOR BRIDGES CONSTRUCTED WITH RAISED SIDEWALKS, DEFLECTOR PARAPETS OR OTHER TYPES OF CONSTRUCTION WHICH RETAIN ROADWAY SURFACE DRAINAGE, THE APPROACH SLABS SHALL EITHER INCLUDE INTEGRAL CURBS OR BE CONSTRUCTED IN CONJUNCTION WITH BRIDGE CURBS. CURB HEIGHT SHALL BE TRANSITIONED UNIFORMLY BETWEEN BRIDGE CURB HEIGHT AND APPROACH CURB HEIGHT IN LENGTH AS FOLLOWS: WHERE WINGWALL EXTENDS BEYOND END OF APPROACH SLAB, USE A MINIMUM LENGTH OF 10 FT BEYOND END OF WINGWALL. WHERE THE APPROACH SLAB EXTENDS BEYOND THE END OF WINGWALL, TRANSITION IN THIS LENGTH, HOWEVER, THE TRANSITION LENGTH SHALL NOT BE LESS THAN 10 FT AND THE TRANSITION SHALL EXTEND BEYOND THE END OF THE APPROACH SLAB IF NECESSARY. CURB PLACEMENT SHALL BE IN ACCORDANCE WITH ODOT STANDARD DRAWING BR-1.
  - APPROACH SLAB WIDTH SHALL EXTEND FROM GUTTER LINE TO GUTTER LINE AND BE 6" WIDER FOR EACH CURB BEYOND THE END OF THE PARAPETS.
  - FOR SECTIONS 'A-A', 'C-C' AND 'D-D' AND ADDITIONAL INFORMATION SEE OTIC STANDARD DRAWING AS-5.
  - THE FOLLOWING ITEMS SHALL BE INCLUDED IN THE UNIT PRICE BID PER SQUARE YARD FOR ITEM 526, REINFORCED CONCRETE APPROACH SLABS (T=12"):
- : ALL JOINTS, INCLUDING DOWEL HOLES, DOWELS, AND GROUT
  - : GROOVE AND JOINT SEAL
  - : TYPE 'A' WATERPROOFING
  - : 1" PERFORMED EXPANSION JOINT FILLER
  - : MEDIAN BARRIERS
  - : REINFORCING STEEL
  - : POROUS BACKFILL
  - : 6" PERFORATED CORRUGATED PLASTIC PIPE, 6" CORRUGATED PLASTIC PIPE, AND PRECAST REINFORCED CONCRETE OUTLET PER ODOT STANDARD DRAWING DM 1.1.



**PLAN**  
(SHOWING NON-SKEWED BRIDGE)



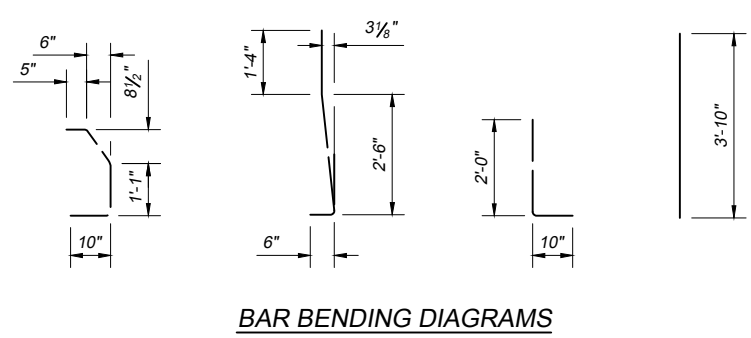
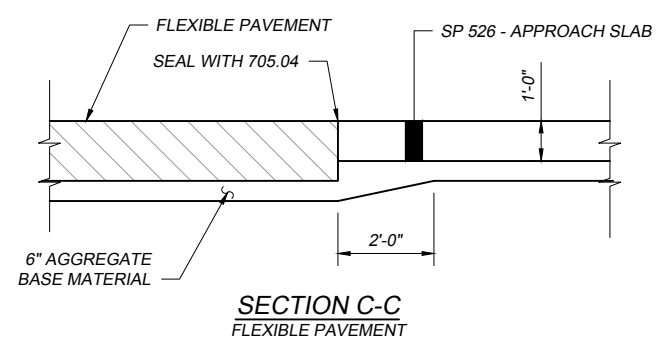
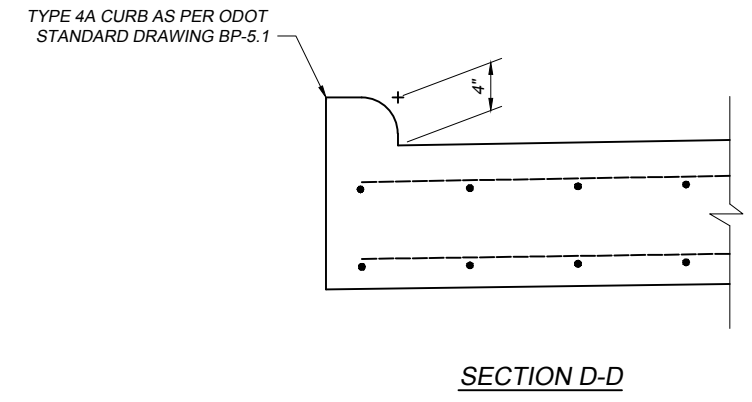
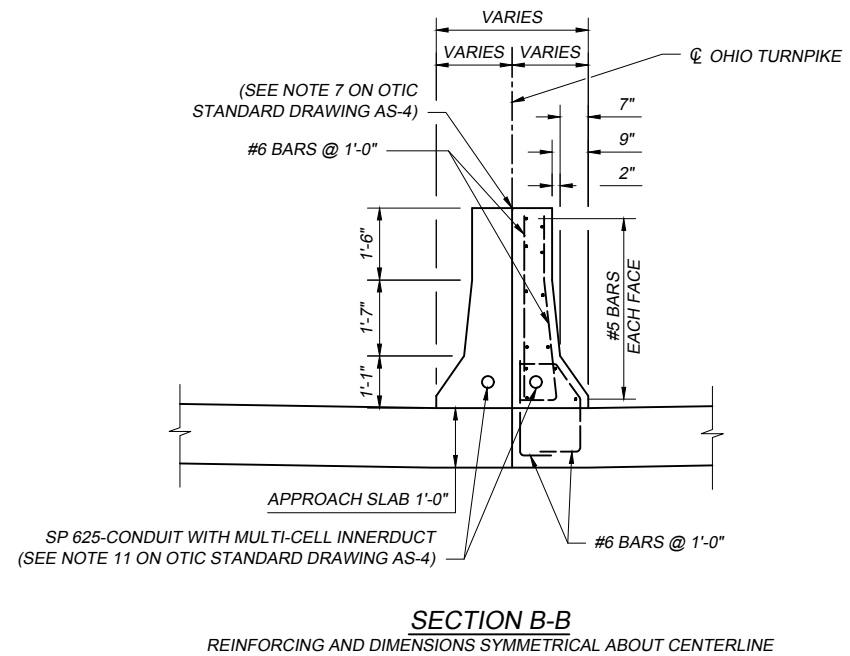
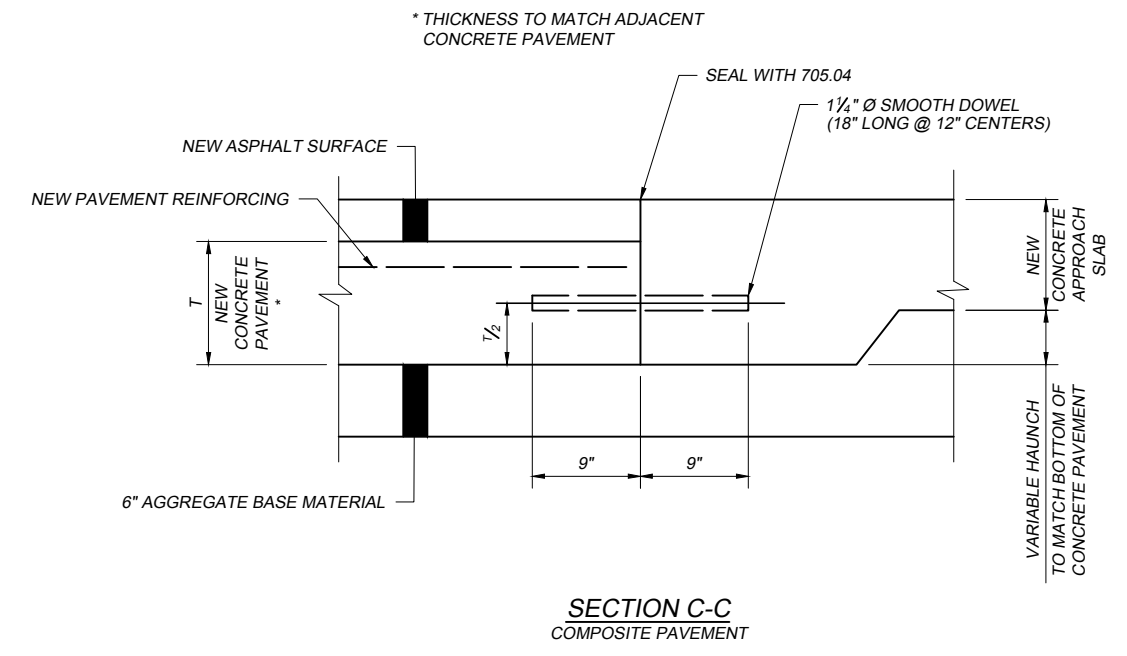
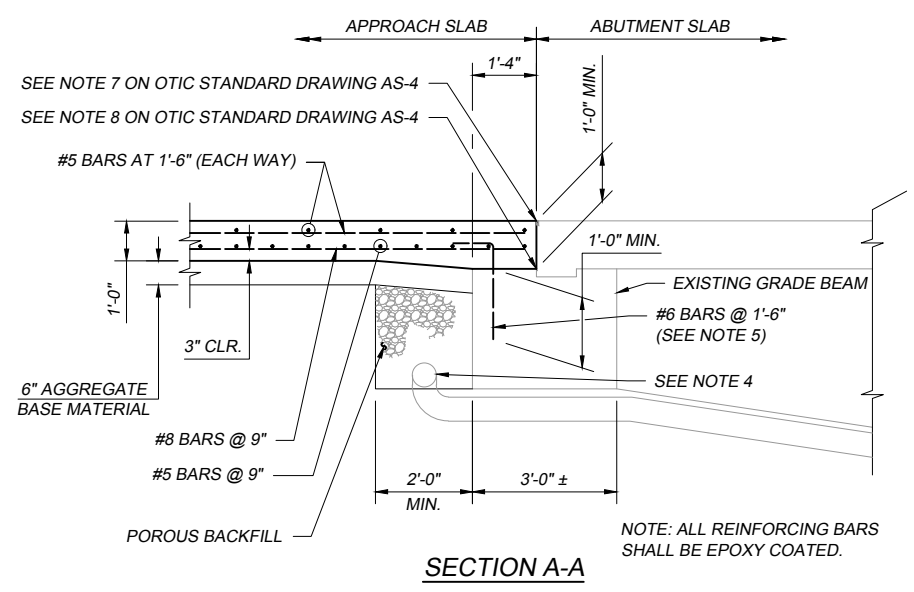
**PLAN**  
(SHOWING SKEWED BRIDGE)



**NOTES:**

- THIS DRAWING PROVIDES DESIGN AND GENERAL CONSTRUCTION DETAILS. THE PROJECT PLANS WILL SHOW SKEW, ESTIMATED QUANTITY (SQ. YDS.), AND SPECIAL NOTES AND DETAILS, WHERE NECESSARY FOR CONDITIONS OTHER THAN THOSE INDICATED HEREON. THE APPROACH SLAB SHALL BE ADAPTED TO FIT THE ENDS OF THE ABUTMENT SLAB AND THE APPROACH PAVEMENT.
- CONCRETE: CLASS S. REINFORCING STEEL: GRADE 60 MIN YIELD STRENGTH 60,000 P.S.I., SHALL BE EPOXY COATED AND AS PER ITEM 509.
- LONGITUDINAL CONSTRUCTION JOINTS REQUIRED FOR STAGE CONSTRUCTION SHALL BE AS PER 511.12 AND SHALL BE TREATED IN ACCORDANCE WITH SP 516B.
- CROWN SHALL CONFORM TO THAT OF THE BRIDGE DECK. IF THE RATE OF CROWN OF THE BRIDGE DECK DIFFERS FROM THAT OF THE APPROACH ASPHALT PAVEMENT, A SMOOTH TRANSITION SHALL BE PROVIDED ON THE APPROACH ASPHALT PAVEMENT AT A TRANSITION RATE OF 1 TO 200.
- TRANSVERSE JOINT DETAILS AT THE APPROACH PAVEMENT END OF THE APPROACH SLAB SHALL BE AS DETAILED ON OTIC STANDARD DRAWING AS-5.
- BASE MATERIAL SHALL BE SP 304-AGGREGATE BASE.
- GROOVE AND SEAL WITH 705.04 AS PER ODOT STANDARD DRAWING BP-2.1
- TYPE A WATERPROOFING SHALL NOT EXTEND ABOVE THE BOTTOM OF THE GROOVE INTO WHICH THE JOINT SEALER IS TO BE PLACED. IT SHALL BE APPLIED TO THE ENTIRE AREA OF THE ABUTMENT OR SUPERSTRUCTURE WHICH COMES INTO CONTACT WITH THE APPROACH SLAB.
- THE INTEGRAL CURB SHALL BE PROVIDED ON THE NEW APPROACH SLAB AS SHOWN IN SECTION 'D-D'.
- 1" PREFORMED EXPANSION JOINT FILLER SHALL BE PER 705.03
- THE TWO 4" DIAMETER PVC CONDUITS WITH MULTI-CELL INNERDUCT SHALL COMPLY WITH SP 625.
- FOR SECTIONS 'A-A', 'B-B', 'C-C' AND 'D-D' AND ADDITIONAL INFORMATION, SEE OTIC STANDARD DRAWING AS-5.
- THE FOLLOWING ITEMS SHALL BE INCLUDED IN THE UNIT PRICE BID PER SQUARE YARD FOR ITEM 526, REINFORCED CONCRETE APPROACH SLABS (T=12"):

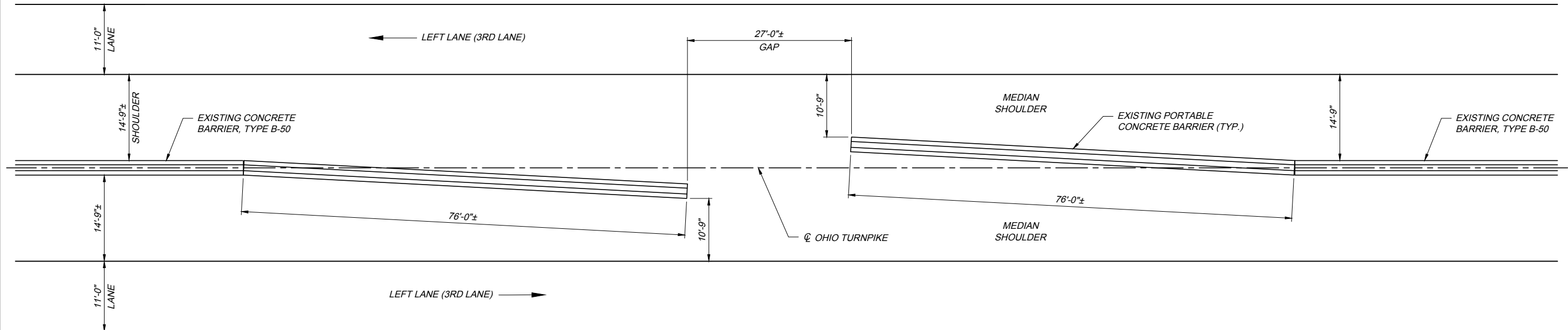
- : ALL JOINTS, INCLUDING DOWEL HOLES, DOWELS, AND GROUT
- : GROOVE AND JOINT SEAL
- : TYPE 'A' WATERPROOFING
- : 1" PREFORMED EXPANSION JOINT FILLER
- : MEDIAN BARRIERS
- : REINFORCING STEEL
- : POROUS BACKFILL
- : 6" PERFORATED CORRUGATED PLASTIC PIPE, 6" CORRUGATED PLASTIC PIPE, AND PRECAST REINFORCED CONCRETE OUTLET PER ODOT STANDARD DRAWING DM 1.1.



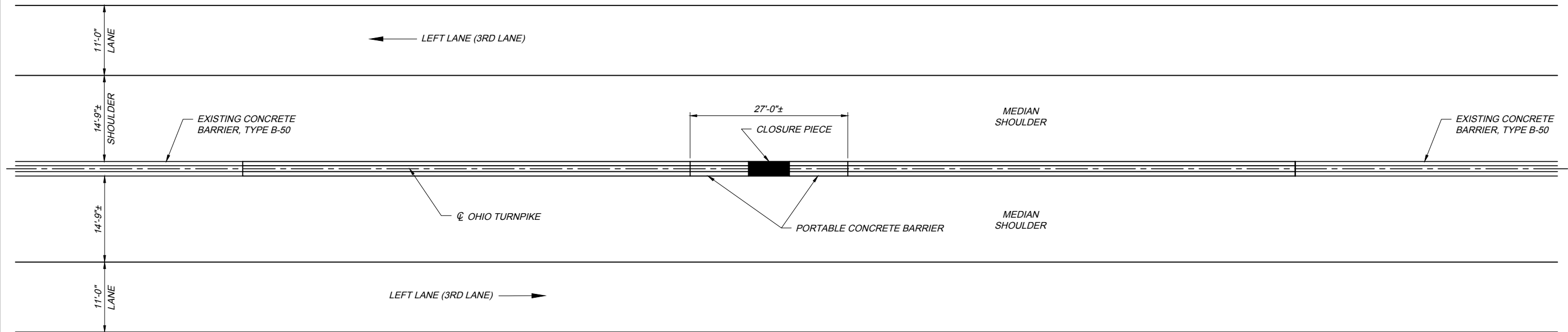
- NOTES:**
- FOR LOCATIONS OF SECTIONS 'A-A', 'B-B', 'C-C' AND 'D-D' AND ADDITIONAL NOTES, SEE OTIC STANDARD DRAWING AS-4.
  - THE REMOVAL SHALL BE PER 202.05 OF THE ODOT CMS BUT THE COST OF THE REMOVAL SHALL BE INCIDENTAL TO THE COST OF SP 526.
  - DRILL  $1\frac{1}{4}$ "  $\emptyset$  HOLE INTO EXISTING CONCRETE. PARTIALLY FILL WITH NONSHRINKING GROUT BEFORE INSERTING DOWEL PER 510.03 AND THE COST IS INCIDENTAL TO THE COST OF SP 526 - APPROACH SLAB.
  - 6" DRAIN PIPE SHALL BE PERFORATED CORRUGATED PLASTIC PIPE PER SP 606, SLOPED AT  $\frac{1}{8}$ " / FT. TO DRAIN. THE STONE SHALL BE IN ACCORDANCE WITH SP 606. THE 6" NON-PERFORATED DRAIN PIPE SHALL BE OUTLETTED AT A 2% PREFERRED MINIMUM SLOPE ONTO THE ADJACENT EMBANKMENT. PROVIDE A PRECAST REINFORCED CONCRETE OUTLET PER ODOT STANDARD DRAWING DM 1.1. COST IS INCIDENTAL TO THE COST OF ITEM 526, REINFORCED CONCRETE APPROACH SLABS (T=12").
  - DRILL HOLES INTO EXISTING CONCRETE GRADE BEAM AND PLACE NONSHRINK, NONMETALLIC GROUT AND DOWEL BARS IN ACCORDANCE WITH 510.03. COST IS INCIDENTAL TO THE COST OF ITEM 526, REINFORCED CONCRETE APPROACH SLABS (T=12").

AS-5\_07-05-16.DWG: 10/24/16 - 2:11pm

TCB-3\_12-29-14.dwg; 10/24/16 - 3:56pm



EXISTING CROSSOVER



PROPOSED CONDITIONS

NOTES:

- CONTRACTOR SHALL ALIGN EXISTING PORTABLE CONCRETE BARRIER ALONG CL OF TURNPIKE.
- CONTRACTOR TO FIELD VERIFY HEIGHT, WIDTH AND OPENING OF EXISTING PORTABLE CONCRETE BARRIER AFTER REALIGNMENT.
- CONTRACTOR SHALL INSTALL ADDITIONAL SECTIONS OF PORTABLE CONCRETE BARRIER (MIN. 2) IN THE GAP TO END UP WITH A CLOSURE PIECE WITH A LENGTH THAT IS LESS THAN TEN (10) FEET. THE REMAINING GAP SHALL BE CLOSED IN ACCORDANCE WITH NOTE 4.
- THE CONTRACTOR SHALL FIELD VERIFY THE LENGTH AND HEIGHT REQUIRED FOR THE CLOSURE PIECE. A CLOSURE PIECE CAN BE EITHER CAST IN PLACE IN ACCORDANCE WITH ITEM 622 OR A PIECE OF EXISTING BARRIER THAT HAS BEEN SIZED TO MATCH THE NEEDED CLOSURE WIDTH. IF CAST IN PLACE IS UTILIZED, A BOND BREAKER SHALL BE USED UNDER THE CLOSURE PIECE SO AS TO NOT DISCOLOR OR DAMAGE THE EXISTING ASPHALT. IF A SIZED PIECE OF EXISTING BARRIER IS USED, THE CUT END SHALL HAVE A SMOOTH FACE AND THE APPROPRIATE CONNECTIONS SHALL BE DRILLED AND GROUTED INTO THE BARRIER PER THE DIMENSIONS AS SHOWN ON ODOT STANDARD CONSTRUCTION DRAWING RM-4.2. GROUT USED FOR ANCHORING OF CONNECTIONS SHALL BE IN ACCORDANCE WITH 705.20.
- THE CONTRACTOR SHALL REMOVE THE ITEMS INSTALLED FOR GAP CLOSURE AFTER COMPLETION OF ALL WORK WITHIN THE ZONE AND RESTORE THE PORTABLE CONCRETE BARRIER TO ITS ORIGINAL LOCATION, AS DIRECTED BY THE ENGINEER.
- PAYMENT FOR ALL EQUIPMENT, MATERIALS, LABOR AND INCIDENTALS NECESSARY TO CLOSE AND RE-OPEN THE MEDIAN BARRIER WALL SHALL BE INCLUDED IN THE LUMP SUM BID PRICE FOR ITEM SPECIAL - EXISTING CROSSOVER TO BE CLOSED/RE-OPENED.
- ALL MATERIALS PROVIDED FOR THIS WORK SHALL BE IN ACCORDANCE WITH ODOT STANDARD CONSTRUCTION DRAWING RM-4.2 AND ITEM 622.

DATE: DECEMBER 21, 2011

STANDARD DRAWING

MEDIAN BARRIER WALL  
CLOSURE DETAILS

TCB-3

1 / 1



OHIO TURNPIKE AND INFRASTRUCTURE COMMISSION





















Ohio Turnpike SBE Availability  
NAICS 237310  
59-17-01

Company Name	Company Email Address	Company Address	Company City	ST	Zip Code	Phone Number	FAX	NAICS Description
<b>Dave's Asphalt LLC</b>	davesasphalt@at.net	2502 8th Street Ne	Canton	OH	44704	330-313-6238		Asphalt paving (i.e., highway, road, street, public sidewalk)
<b>Eclipse Co., LLC</b>	jen@eclipsecollc.com	11554 East Washington Street	Chagrin Falls	OH	44023	216-332-9821 440-543-3493	440-543-3495	Aggregate Bases; Guardrail Construction; Miscellaneous Concrete; Pavement Markings; Rigid Pavement Replacement; Rigid Paving; Traffic Stripes
<b>Armstrong Steel Erectors, Inc.</b>	armsteel@aol.com	50 South Fourth Street	Newark	OH	43055	419-438-4388 740-345-4503	740-345-4505	Aggregate Bases; Bridge Construction Level 1; Bridge Construction Level 2; Bridge Construction Level 3; Bridge Structure Repairs; Expansion & Contraction Joints, Joint Sealers, Bearing Devices; Miscellaneous Concrete; Pavement Planing, Milling Scarification
<b>B.G. Trucking &amp; Construction, Inc.</b>	BERLEW128@AOL.COM	11330 Market Street	North Lima	OH	44452	234-759-3440 330-620-8734	234-759-3442	Aggregate Bases; Application of Bituminous Treatments; Bridge Construction Level 1; Bridge Construction Level 2; Bridge Structure Repairs; Expansion & Contraction Joints, Joint Sealers, Bearing Devices; Flexible Paving; Flexible Replacement; Miscellaneous Concrete; Pavement Planing, Milling Scarification; Rigid Pavement Replacement; Rigid Paving; Traffic Stripes
<b>Barbicas Construction Company</b>	carla.barbicas@barbicas.com	124 Darrow Road	Akron	OH	44305	330-352-2746 330-733-9101	330-733-9051	Aggregate Bases; Application of Bituminous Treatments; Flexible Paving; Flexible Replacement; Highway Signing; Miscellaneous Concrete; Pavement Planing, Milling Scarification; Rigid Pavement Replacement; Rigid Paving
<b>Black Horse Bridge Construction Inc.</b>	blackhorsebridge@aol.com	5185 Wooster Rd. West	Norton	OH	44203	234-678-8731 330-351-5011	234-678-9747	Aggregate Bases; Bridge Construction Level 1; Bridge Construction Level 2; Bridge Construction Level 3; Bridge Structure Repairs; Expansion & Contraction Joints, Joint Sealers, Bearing Devices; Highway Signing; Miscellaneous Concrete; Rigid Pavement
<b>Cuyahoga Bridge &amp; Road, Inc.</b>	jschemp@cbr2003.com	370 Ryan Rd	Seville	OH	44273	330-351-7656 330-769-2999	330-769-3235	Aggregate Bases; Bridge Construction Level 1; Bridge Construction Level 2; Bridge Construction Level 3; Bridge Structure Repairs; Expansion & Contraction Joints, Joint Sealers, Bearing Devices; Flexible Paving; Miscellaneous Concrete; Rigid Pavement
<b>Ebony Construction Co., Inc.</b>	ahall@ebonyco.com	3510 Centennial Road	Sylvania	OH	43560	419-841-3455	419-841-7845	Aggregate Bases; Application of Bituminous Treatments; Flexible Paving; Flexible Replacement; Miscellaneous Concrete; Pavement Planing, Milling Scarification
<b>Eclipse Co., LLC</b>	jen@eclipsecollc.com	11554 East Washington Street	Chagrin Falls	OH	44023	216-332-9821 440-543-3493	440-543-3495	Aggregate Bases; Guardrail Construction; Miscellaneous Concrete; Pavement Markings; Rigid Pavement Replacement; Rigid Paving; Traffic Stripes

Ohio Turnpike SBE Availability  
NAICS 237310  
59-17-01

<b>Follow the River Designs, LLC DBA: Follow the River Environmental</b>	followtheriver@y mail.com	4330 E Hooppole Ridge Road	Mcconnelsville	OH	43756	614-325-9954		Aggregate Bases; Bridge Construction Level 1; Bridge Construction Level 1; Bridge Construction Level 2; Bridge Structure Repairs; Expansion & Contraction Joints, Joint Sealers, Bearing Devices; Flexible Replacement; Pavement Planing, Milling Scarification; Rigid Pavement Replacement; Rigid Paving
<b>Guinto Schirack Engineering</b>	guinto@gsengine er.com	1085 Rockside Road	Parma	OH	44134	216-2870993; 216-741-7453	216-803-3444	Aggregate Bases; Bridge Construction Level 1; Bridge Construction Level 2; Bridge Structure Repairs; Expansion & Contraction Joints, Joint Sealers, Bearing Devices; Miscellaneous Concrete; Rigid Pavement Replacement; Rigid Paving; Stay in Place Bridge Paving
<b>J.D. Williamson Construction Co., Inc.</b>	maryf@jdwilliams onconstruction.co m	441 Geneva Avenue	Tallmadge	OH	44278	330-633-1258 419-602-1165	330-633-1398	Aggregate Bases; Bridge Construction Level 1; Bridge Construction Level 2; Bridge Construction Level 3; Bridge Structure Repairs; Expansion & Contraction Joints, Joint Sealers, Bearing Devices; Miscellaneous Concrete; Rigid Pavement Replacement; Rigid Paving; Stay in Place Bridge Paving
<b>R.J. Runge Company, Inc.</b>	arunge@rjrunge.c om	3539 Ne Catawba Road	Port Clinton	OH	43452	419-2615983; 419-740-5781	419-797-9379	Aggregate Bases; Flexible Replacement; Highway Signing; Miscellaneous Concrete; Rigid Pavement Replacement
<b>RMI Cement LLC</b>	kmarzillirmi@aol.c om	2213 Gage Ave. Ne	Canton	OH	44705	330-452-1643 330-8069908	330-452-9001	Aggregate Bases; Bridge Structure Repairs; Expansion & Contraction Joints, Joint Sealers, Bearing Devices; Miscellaneous Concrete; Rigid Pavement Replacement; Rigid Paving
<b>Rietschlin Construction, Inc.</b>	meg@rietschlinco nstructionoh.com	4240 Baker Road	Crestline	OH	44827	419-347-4341 419-543-2650	419-347-1062	Aggregate Bases; Bridge Construction Level 1; Bridge Construction Level 2; Bridge Structure Repairs; Expansion & Contraction Joints, Joint Sealers, Bearing Devices; Flexible Paving; Flexible Replacement; Miscellaneous Concrete; Rigid Pavement
<b>UNION INDUSTRIAL CONTRACTORS INC</b>	kimkidner@uicon struction.com	P. O. Box 1718	Ashtabula	OH	440051718	440-998-7871		Aggregate Bases; Application of Bituminous Treatments; Bridge Construction Level 1; Bridge Construction Level 2; Bridge Construction Level 3; Bridge Structure Repairs; Expansion & Contraction Joints, Joint Sealers, Bearing Devices; Flexible Paving; Flexible Replacement; Guardrail Construction; Highway Signing; Miscellaneous Concrete; Pavement Planing, Milling Scarification; Rigid Pavement Replacement; Rigid Paving Maintenance of Traffic; Miscellaneous Asphalt Pavement; Sawing
<b>Vito Gironda Construction Company</b>	pgironda@vgcons truction.com	1130 Britain Road	Akron	OH	44305	330-630-9399		Aggregate Bases; Expansion & Contraction Joints, Joint Sealers, Bearing Devices; Miscellaneous Concrete; Rigid Pavement Replacement; Rigid Paving

Ohio Turnpike SBE Availability  
NAICS 237310  
59-17-01

A. Gillam & Associates Inc.		2003 McGuffey Road	Youngstown	OH	330-743-9702	Construction
Abutilon Co., Inc.	steve@abc-services.com	701 N. Westwood Ave	Toledo	OH	419-536-6123	Trucking/Hauling
Always Haulin' LLC	alwayshaul@aol.com	233 W. North Street	Medina	OH	330-416-8667	Trucking/Hauling
Armstrong Steel Erectors	armsteel@aol.com	50 South Fourth Street, PO Box 577	Newark	OH	740-345-4503	Highway, Street, and Bridge Construction
ArrowMark, LLC	cliftoncox@arrowmarkllc.com	P.O. Box 80703	Canton	OH	330-268-5330	Construction
B.G. Trucking & Construction Inc.	berlew128@aol.com	11330 Market Street	North Lima	OH	234-759-3440	Highway, Street, and Bridge Construction
Ballast Construction, Inc., DBA Ballast Fence	ballastfence@ballastfence.com	19501 S. Miles Road, Suite #2	Warrensville Hts.	OH	216-662-2436	Construction
Barbicas Construction Co., Inc.	carla.barbicas@barbicas.com	124 Darrow Road, Suite 1	Akron	OH	330-733-9104	Highway, Street, and Bridge Construction
Brown Transfer LLC	browntransfer34@yahoo.com	17228 Mapleboro Avenue	Maple Hts.	OH	440-773-1711	Trucking/Hauling
Buckey Bituminous Transport, LLC	buckeybtllc@aol.com	6500 Old Railroad Rd.	Sandusky	OH	419-202-5690	Trucking/Hauling
Caver Brothers Inc.	caverbrothersinc@sbcglobal.net	3770 E. 93rd Street	Cleveland	OH	216-751-0260	Construction
Cook Paving & Construction Co., Inc.	linda.fletcher@cookpaving.com	11360 Brookpark Rd., Suite	Brooklyn	OH	216-267-7705	Construction
Cordova Enterprises, LLC dba CorStone, Ltd	ccordova@corstoneltd.com	3100 East 45th St., Suite	Cleveland	OH	216-441-9860	Construction

Ohio Turnpike SBE Availability  
NAICS 237310  
59-17-01

Cosmos Industrial Services Inc.	pdourou ntakis@c osmosin dustrial. com	9103 Detroit Ave.	Clevela nd	O H	216- 861- 8361	Construction
Cuyahoga Bridge & Road, Inc.	jschemp @cbr200 3.com	370 Ryan Road	Seville	O H		Highway, Street, and Bridge Construction
Cuyahoga Fence LLC	ritas@cu yahogafe nce.com	3100 East 45th St,	Clevela nd	O H	216- 830- 2200	Construction
Dan-Ray Construction Inc.	danrayco nstructio nllc@yah oo.com	4500 Lee Road, Suite 207	Clevela nd	O H	216- 518- 8484	Construction
Dawn Incorporated	dawn@d awnincor porated. com	106 E. Market Street Suite	Warren	O H	330- 652- 7711	Construction
E & H Taylor Construction Inc.	howardbobby @yahoo.com	1001 Nebraska Avenue	Toledo	OH	419-343- 6863	Trucking/Hauling
Eaton Construction Company Inc.	debbie.e aton@fr ontier.co	PO Box 684 653 Island Rd	Circlevi lle	O H	740- 474- 3414	Construction
Ebony Construction Company Inc.	amyl@e bonyco.c om	3510 Centenni al Road	Sylvani a	O H	419- 841- 3455	Highway, Street, and Bridge Construction
ETA Development Inc.	tanja@e tadev.co m	1187 Bellows St.	Akron	O H	330- 785- 9006	Construction
Friedel Trucking Co., Inc.	mff5714@yah oo.com	5714 Archmere Ave	Cleveland	OH	440-237- 5377	Trucking/Hauling
Garza Construction Inc.	garzaconstruc tioninc@yaho o.com	3068 East State Street	Fremont	OH	419-355- 0830	Trucking/Hauling
Gateway Electric Inc.	mail@ga teway- electric.c om	4450 Johnston Parkway	Clevela nd	O H	216- 518- 5500	Electrical Contractors and Other Wiring Installation Contractors
Hans' Freightliner of Cleveland	idabernig@ha nsfreightliner. com	14520 Broadway Avenue	Cleveland	OH	216-581- 0046	Trucking/Hauling
Interstate Safety & Service Company Inc.	interstate198 1@aol.com	3566 East 55th Street	Cleveland	OH	216-641- 6776	Trucking/Hauling



Ohio Turnpike SBE Availability  
NAICS 237310  
59-17-01

J.D. Williamson Construction Co., Inc	maryf@jdwilliamsonconstruction.com	441 Geneva Ave	Tallmadge	OH	330-633-1258	Highway, Street, and Bridge Construction
K. Davis, Inc.	kevindavisinc@yahoo.com	605 W. Brentwood Dr.- P.O Box 162	Gibsonburg	OH	419-307-0305	Construction
KBJ Construction	Kyle@KBJCONSTRUCT.COM	7817 First Place	Oakwood Village	OH	4402323334	Construction
L. Walker Trucking LLC	lisawalker166@gmail.com	P.O. Box 486	Hartville	OH	330-352-5345	Trucking/Hauling
Lionel Construction Company, Inc.	slionel@rrohio.com	1233 Maple Avenue PO Box 998	Zanesville	OH	740-453-7502	Construction
MCTECH CORP	mctech360@mctech360.com	8100 Grand Avenue	Cleveland	OH	216-391-7700	Construction
Mid-Ohio Structures LLC	ldauch@neo.rr.com	2214 Ridge Road	Norwalk	OH	419-663-0061	Highway, Street, and Bridge Construction
Miles Mechanical Inc.	soni@milesmechanical.com	17706 Miles Road	Cleveland	OH	216-663-9855	Plumbing, Heating, and Air-Conditioning Contractors
Moawad Construction Ltd	sammaowad77@gmail.com	8630 Airport Highway	Holland	OH	419-467-0077	Construction
P. G. T. Construction Inc.	prettygirltrucking@att.net	9900 York Theta Drive, Suite B	North Royalton	OH	440-237-1155	Trucking/Hauling
Performance Hydroblasting Inc.	joyce@ohblaster.com	11957 Whitman Rd	Doylestown	OH	330-658-6438	Highway, Street, and Bridge Construction
Petty Group, LLC	npetty@pettygroupllc.com	550 Harvard Avenue, Rear,	Cuyahoga Heights	OH	216-206-2600	General Contractor
PPW Builders Inc.	sandy@ppwbuilders.com	11875 Bellaire Road	Cleveland	OH	216-862-1677	Construction

Ohio Turnpike SBE Availability  
NAICS 237310  
59-17-01

Quinox LLC	CQ200175@yahoo.com	2902 Grantwood Drive	Parma	OH	216-255-7672	Trucking/Hauling
R.J. Runge Company Inc.	arunge@rjrunge.com	3539 NE Catawba Rd	Port Clinton	OH	419-740-5781	Construction
Ramos Trucking Corporation	ramostruck@roadrunner.com	3841 West 132nd Street	Cleveland	OH	216-337-0859	Trucking/Hauling
RAR Contracting Company	keith.roggers@rarcontractingco.com	5350 Transportation Blvd., Suite 16	Garfield Heights	OH		Construction
Rietschlin Construction, Inc.	meg@rietschlinconstruction.com	4240 Baker Road	Crestline	OH	419-347-4341	Construction
Roma Designs LLC	pwilliams@romadesignsconstruction.com	6414 St. Clair Ave.	Cleveland	OH	216-751-7888	Construction
Rudy Construction & Excavating Inc.	rudynec@aol.com	961 West 130th Street	Hinckley	OH	216-408-5522	Construction
RWJ Wiring, Inc.	maia@rjwiringinc.com	1287 Marquette St. Suite 3	Cleveland,	OH	216-261-7959	Electrical Contractors and Other Wiring Installation Contractors
V.I.P. Electric Co.	kevin@vipelectric.com	8358 Mentor Avenue	Mentor	OH	440-255-0180	Electrical Contractors and Other Wiring Installation Contractors
Vasta Construction Co., Inc.	vastaconstruction@yahoo.com	12980 Avon Belden Road	Grafton	OH	440-748-6519	Highway, Street, and Bridge Construction
Veach Trucking Inc.	sueveach@veachtrucking.com	1072 California Pike PO Box 1059	Stockdale	OH	740-820-2458	Trucking/Hauling
Western Reserve Mechanical, Inc.	linda@wrmec.com	3041 South Main St.	Niles	OH	330-652-3888	Construction

Ohio Turnpike SBE Availability  
NAICS 237310  
59-17-01

Crestline Paving & Excavating	<a href="mailto:riames@crestlinepaving.com">riames@crestlinepaving.com</a>	1913 NEBRASKA AVE	TOLEDO	OH	43607	419-536-8229		Asphalt Paving, Asphalt Milling, Waterlines, Storm/Sanitary Sewers, Pump Stations, Auger Boring, Vertical Shafts, Trucking, Site Development, Concrete/Asphalt Recycling
DELTA ASPHALT COMPANY	<a href="mailto:janette@deltaspaltco.com">janette@deltaspaltco.com</a>	1286 EASTWOOD AVENUE	TALLMADGE	OH	44278	330-633-2506		Asphalt paving residential, commercial parking lots, heavy highway, and street paving
L R Chapman Paving Inc	<a href="mailto:lchapmanpaving@hotmail.com">lchapmanpaving@hotmail.com</a>	1318 State Route 788	Jackson	OH	45640	740-286-1063		Provides asphalt paving contracting services.
Leroy & Kurt Construction, LLC	<a href="mailto:lj527@sbcglobal.net">lj527@sbcglobal.net</a>	4433 ZUBER RD	ORIENT	OH	43146	614-554-2614	614-539-0001	Hauling (dump truck), and asphalt paving.
LIONEL CONSTRUCTION COMPANY, INC.	<a href="mailto:slionel@rrohi.com">slionel@rrohi.com</a>	PO BOX 998	ZANESVILLE	OH	43701	740-453-7502	740-454-1753	General contractor for construction and maintenance of roads, streets, walks, curbs, and gutters. This includes: asphalt paving, concrete work new construction, maintenance and resurfacing.
W. C. Jones Asphalt Paving Co., Inc.	<a href="mailto:LEO.LUCAS1@WCJONESASPHALT.COM">LEO.LUCAS1@WCJONESASPHALT.COM</a>	P O BOX 188	DAYTON	OH	45401	937-228-1253	937-228-9300	Site preparation, Excavation, Asphalt Paving, Seal Coating, Grading and Striping.
Wood Fundi	<a href="mailto:woodfundioth@gmail.com">woodfundioth@gmail.com</a>	3202 Colerain Avenue	Cincinnati	OH	45225	513-794-9668		Asphalt paving contractor. Provides asphalt and concreted new construction, maintenance, resurfacing and sealcoating of residential and commercial parking lots, driveways, walkways, patios and steps.

## Ohio Turnpike SBE Availability

NAICS 484220

59-17-01

Company Name	Company Email	Company Address	Company City	ST	ZipCode	Phone Number	FAX
<b>AABA Trucking &amp; Hauling, LLC</b>	aabatruckingh auling@bex.net	26 West Weber St.	Toledo	OH	43608	(419)509-5976 ; 419-241-2753	(419)241-2753
<b>AGGREGATE CONST INC</b>		4875 Osborn Rd	Garfield Hts	OH	44125	216-201-9142 ; 216-201-9142	No FAX
<b>All American Trucking Company LLC</b>	carol@conie.co m	1340 Windsor Ave	Columbus	OH	43211	614-291-5931	6142919054
<b>All Aspects Contracting, Inc.</b>	allaspectscontr acting@hotmail	2800 Euclid Avenue	Cleveland	OH	44115	440-315-0904	(440)365-0920
<b>Always Haulin'LLC</b>	Alwayshaulin@ aol.com	233 W. North Street	Medina	OH	44256	(330)416-8667 ; 330-416-8667	No FAX
<b>B's Trucking</b>	arkeviabrown@ aol.com	420 White Pond Dr Apt. 5	Akron	OH	44302	419-545-1789	330-835-4224
<b>B.G. Trucking &amp; Construction, Inc.</b>	BERLEW128@ AOL.COM	11330 Market Street	North Lima	OH	44452	(330)620-8734 ; 234-759-3440	(234)759-3442
<b>Barbicas Construction Company</b>	carla.barbicas @barbicas.com	124 Darrow Road	Akron	OH	44305	330-733-9101 ; 3303522746	(330)733-9051
<b>Beaverdam Contracting Inc</b>	bci8300@gmail .com	8300 N Dixie Highway	Bluffton	OH	45817	(419)233-8784 ; 419-358-0400	419-358-0515
<b>Big Truck Rehab Center, Inc.</b>	bigtruckrehab @att.net	7420 Exchange Street	Valley View	OH	44125	216-244-1295	216-520-8484
<b>Black Horse Bridge Construction Inc.</b>	blackhorsebridg e@aol.com	5185 Wooster Rd. West	Norton	OH	44203	234-678-8731 ; 3303515011	(234)678-9747
<b>Boswell Concrete, Inc.</b>	boswellconcret einc@gmail.co m	6833 Stonecreek, Ne	Canton	OH	44721	330-418-4160	No FAX
<b>Brown Transfer Company</b>	browntransfer3 4@yahoo.com	17228 Mapleboro Avenue	Maple Heights	OH	44137	216-870-8204	No FAX
<b>Buckeye Bituminous Transport, LLC</b>	buckeyebtllc@a ol.com	6500 Old Railroad Rd.	Sandusky	OH	44870	419-202-5690	No FAX
<b>Clarks Family Trucking, Inc.</b>	cft10@att.net	21000 Treat Road	Walton Hills	OH	44146	(216)246-9442 ; (440)786- 2120	440-786-2125
<b>Cleveland Environmental Services, Ltd.</b>	rherrmann@cle veland- environmental.c	4801 Chaincraft Road	Garfield Heights	OH	44125	216-518-1122 ; 216-518-1122	216-823-2248
<b>Cordova Enterprises, LLC</b>	corstoneltd@a ol.com	3100 East 45th Street, Suite 322	Cleveland	OH	44127	216-441-9860 ; 513-562-7967	866-661-2858

## Ohio Turnpike SBE Availability

NAICS 484220

59-17-01

<b>D.O.C. Enterprises, LLC</b>	doctrucking@yahoo.com	12833 St. James Drive	Mantua	OH	44255	216-789-0090	No FAX
<b>Dawn Incorporated</b>	info@dawnincorporated.com	106 East Market Street, Suite 505	Warren	OH	44481	(330)240-7711 ; (330)652-7711	330-652-7714
<b>Disowned Incorporated</b>	disownedinc@yahoo.com	7390 Young Drive Suite F	Walton Hills	OH	44146	216-214-8529	No FAX
<b>E &amp; H Taylor Construction, Inc.</b>	shirleypowellbrown@aol.com howardbobby@	1001 Nebraska Avenue	Toledo	OH	43607	(419)349-6863 ; (419)349-6863	(419)865-6914
<b>E &amp; J Trucking</b>	evelyndoring.ed@gmail.com	3642 Five Oaks Drive	Richfield	OH	44286	216-276-0076 ; 330-351-0667	330-659-6781
<b>ETA Development, Inc.</b>	tanja@etadev.com	1187 Bellows Street	Akron	OH	44301	(216)215-0919 ; 330-785-9006	No FAX
<b>Ebony Construction Co., Inc.</b>	ahall@ebonyco.com	3510 Centennial Road	Sylvania	OH	43560	419-841-3455	419-841-7845
<b>Eclipse Co., LLC</b>	jen@eclipsecollc.com	11554 East Washington Street	Chagrin Falls	OH	44023	216-332-9821 ; 440-543-3493	440-543-3495
<b>Garza Construction, Inc</b>	garzaconstructioninc@yahoo.com	3068 East State Street	Fremont	OH	43420	419-355-0830 ; 419-986-5800	419-355-9096
<b>Hard Knox Enterprises, Inc.</b>	hkeinc@sbcglobal.net	4122 Highland Avenue	Warren	OH	44481	330-394-6038 ; 330-503-9053	330-399-1619
<b>Hughes Contracting, Inc.</b>	HCChipSeal@aol.com	595 Waterloo Road, Suite H	Suffield	OH	44260	(330)697-0424 ; 330-628-7400	330-628-5916
<b>Interstate Safety &amp; Service Co., Inc.</b>	Interstate1981@aol.com	3566 East 55th Street	Cleveland	OH	44105	216-641-6776	No FAX
<b>J.D. Williamson Construction Co., Inc.</b>	maryf@jdwilliamsonconstruction.com	441 Geneva Avenue	Tallmadge	OH	44278	(419)602-1165 ; 330-633-1258	330-633-1398
<b>JMD Transport, LLC</b>	justmovingdirt@gmail.com	14900 York Road, Suite A	North Royalton	OH	44133	216-509-9834 ; 440-237-1978	No FAX
<b>Joe Simak &amp; Sons Trucking, Inc.</b>	marti@simaktrucking.com	P. O. Box 599	N. Kingsville	OH	44068	(440)224-1992 ; (440)224-1992	(440)224-1009 ; (440)224-1009
<b>John Price Trucking, Inc.</b>	ethel4jpt@sbcglobal.net	2605 Shaker Road	Cleveland Heights	OH	44118	(216)276-8647 ; 216-932-5874	No FAX
<b>Jubilee Excavation</b>	jubileeexc@gmail.com	16781 Chagrin #197	Shaker Hts.	OH	44120	216-310-7527	216-310-7527

## Ohio Turnpike SBE Availability

NAICS 484220

59-17-01

<b>Kin-Co</b>		10808 Bryant Avenue	Cleveland	OH	44108	216-253-9152 ; 216-253-9152	No FAX
<b>L WALKER TRUCKING LLC</b>	dwalker.1wt@sbcbglobal.net	2405 Greenland Ave	Uniontown	OH	44685	(330)352-5375 ; 330-352-5345 ; (330)352-5345 ; (330)699-8208	(330)699-0807 ; (330)699-0807
<b>Lane Trucking</b>	plane38306@aol.com	3995 Yoder Road	Lima	OH	45806	419-222-3593	419-222-2044
<b>Lennox Development Group</b>	lennexdevgroup@gmail.com	3405 W. 35th St	Cleveland	OH	44109	(440)650-6316	No FAX
<b>M.J.S. Trucking, LLC</b>	mjstrucking1@yahoo.com	8629 S. Emerald Oval	Olmsted Township	OH	44138	440-749-8006	No FAX
<b>MARIA HAMMOND TRUCKING</b>	STELLA2608@NEO.RR.COM	2363 Meloy Road	Kent	OH	44240	330-678-7448	No FAX
<b>MASSILLON CONSTRUCTION AND SUPPLY LLC</b>	tcarr@usmcs.com	1322 Erie St South	Massillon	OH	44646	330-737-2160 ; 330-737-2160	(330)737-2170
<b>MJP Trucking LLC</b>	mjptruckngllc@gmail.com	8803 Brecksville Road	Brecksville	OH	44141	(440)655-8540 ; (440)655-8540	No FAX
<b>McKinley Industries</b>	wmck0103@aol.com	317 W Laclede Avenue	Youngstown	OH	44511	330-774-2468	(234)228-9594
<b>Midtown Trucking Co.</b>	midtowntrucking@gmail.com	9000 Aetna Road	Cleveland	OH	44105	216-341-5399	216-341-5433
<b>Mightyfruit Trucking LLC</b>	mightyfruit@gmail.com	375 West Fifth Street	Mansfield	OH	44903	419-709-9213	888-718-1881
<b>Oiler Trucking</b>	oilertrucking@columbus.rr.com	2253 State Route 602	Crestline	OH	44827	(419)834-0171 ; (419)834-0171	No FAX
<b>Old Mill Acres Trucking, LLC</b>	stauffer_wendy@yahoo.com	14106 Twp. Rd. 150	Arlington	OH	45814	(419)310-2260	(419)365-5259
<b>P.G.T. Construction, Inc.</b>	prettygirltrucking@att.net	15151 York Road	North Royalton	OH	44133	440-237-1155 ; 440-237-1155	440-877-9312
<b>Quinox LLC</b>	cq200175@yahoo.com	2902 Grantwood Drive	Parma	OH	44134	216-255-7672 ; 216-255-7672	440-481-3541
<b>RAR Contracting Company</b>	james.vincent@rarcontractingco.com	5537 Canal Road Valley View Road	Valley View	OH	44125	(216)965-5275 ; 440-735-1946	(440)735-1946
<b>RMI Cement LLC</b>	kmarzillirmi@aol.com	2213 Gage Ave. Ne	Canton	OH	44705	(330)8069908 ; 330-452-1643	330-452-9001

## Ohio Turnpike SBE Availability

NAICS 484220

59-17-01

<b>Rack Transport, LLC</b>	rack1971@hotmail.com	P. O. Box 483	Gates Mills	OH	44040	440-823-2726 ; 440-823-2726 ; (440)823-2726	(440)834-1989
<b>Ramos Trucking Corp</b>	Ramostruck@roadrunner.com	141 Mallard Creek Run	Cleveland	OH	44050	(216)337-0859	(440)281-9862
<b>Reem's Trucking, LLC</b>	reemtrucking@hotmail.com	500 Westchester Drive	Brunswick	OH	44212	(330)741-1530	No FAX
<b>Rietschlin Construction, Inc.</b>	meg@rietschlinconstructionoh.com	4240 Baker Road	Crestline	OH	44827	419-347-4341	419-347-1062
<b>Riley's Transportation of Ohio Inc</b>	rileystransportationinc@yahoo.com	P.O.Box 21544	S. Euclid	OH	44121	216-244-6647	2165631413
<b>Rocky Pine Farm LLC</b>	jfnye8@frontier.com	7443 N. Township Road 70	Tiffin	OH	44883	(419)618-2033 ; 419-986-5400 ; (419)618-2033 ; (419)986-5400	419-986-5600 ; (419)986-5600
<b>S. Lockjaw Trucking</b>	staceylockridge@yahoo.com	5707 Orchard Ave	Parma	OH	44129	216-440-0408 ; 216-440-0408	No FAX
<b>SOLID ROCK CONSTRUCTION SERVICES LLC</b>	solidrockconst1@aol.com	2420 Gallia Street	Portsmouth	OH	45662	740-858-3111 ; 740-858-3111	(740)858-1972
<b>Sereday Trucking Inc.</b>	sereday150@aol.com	7591 Warren Sharon Road	Brookfield	OH	44403	(330)448-4000 ; (330)448-4000	(330)448-6917 ; (330)448-6917
<b>TC Randal Construction, LLC</b>	ctrandal@aol.com	1106 Bellflower Road, Nw	Minerva	OH	44657	330-863-0048 ; 330-863-0048	330-863-1475
<b>TYJ Construction Inc.</b>	g_michael.moore@yahoo.com	8090 Prairie Crossing	Macedonia	OH	44056	(216)789-4046 ; 330-748-4868	No FAX
<b>The MAHARRIS Group</b>	mharris@themaharrisgroup.com	6100 Oak Tree Blvd.	Independence	OH	44131	216-986-2700	216-986-2707
<b>Tri-State Concrete Construction, Inc.</b>	manisha@tri-statecc.com	9200 Montgomery Road	Cincinnati	OH	45242	513-984-3909 ; 513-984-3909	513-984-3914
<b>UNION INDUSTRIAL CONTRACTORS INC</b>	kimkidner@uicconstruction.com	P. O. Box 1718	Ashtabula	OH	440051718	440-998-7871 ; 440-998-7871 ; (440)998-7871	No FAX
<b>Val's Crane Service</b>	valscrane@yahoo.com	1053 Kevin Drive	Akron	OH	44313	(330)2082683 ; (330)289-5253	330-836-7935

## Ohio Turnpike SBE Availability

NAICS 484220

59-17-01

<b>Valley City Builders Supply, Inc.</b>	sue@valleycity supply.com	6745 School Street	Valley City	OH	44280	330-483-3400 ; 330-483-3400	330-483-4522
<b>Viking Trucking, Inc.</b>	suzetteh- sanjan@rtece press.net	19929 Co. Rd. T	Ridgeville Corners	OH	43555	419-267-3319 ; 419-267-3696	419-267-5298
<b>Vito Gironda Construction Company</b>	pgironda@vgco nstruction.com	1130 Britain Road	Akron	OH	44305	330-630-9399 ; 330-630-9399	No FAX
<b>Woodland Acres, Inc.</b>	yodersusan@y mail.com	8115 Township Road #13	Ottawa	OH	45875	419-523-4399 ; 419-523-4399	419-523-9509
<b>Wyse Enterprise Inc.</b>	wyseenterprisei nc@yahoo.com	1633 Woodland Ave.	Toledo	OH	43607	(419)385-0756 ; 419-870-7679	(419)724-0003