

OHIO TURNPIKE AND  
INFRASTRUCTURE COMMISSION

ADDENDUM NO. 1

PROJECT NO. 39-17-01  
MAINLINE PAVEMENT RECONSTRUCTION  
MILEPOST 90.00 TO MILEPOST 95.90, EASTBOUND  
SANDUSKY COUNTY, OHIO

OPENING DATE: 2:00 P.M. (EASTERN TIME), OCTOBER 28, 2016

ALL BIDS MUST BE ELECTRONICALLY SUBMITTED THROUGH BID EXPRESS

ATTENTION OF BIDDERS IS DIRECTED TO:


QUESTIONS AND ANSWERS THROUGH 3:00 PM ON OCTOBER 14, 2016


MODIFICATIONS TO THE CONTRACT DOCUMENTS

Plan Sheets: 10, 11, 12, 15, 16, 18, 19, 21, 59, 60, 104, 105, 106, 107, 108, 145, 247, 249, 251, 252, 253, 255, 257, 264, 266 and 269 of 272; Plan Insert Sheet 1 of 1.

Bid Schedule of Items and Estimated Quantities Worksheet

Issued by the Ohio Turnpike and Infrastructure Commission on October 14, 2016. Issuance authorized by Anthony D. Yacobucci, Chief Engineer, and Mark R. Musson, Director of Contracts Administration.

  
Anthony D. Yacobucci  
Date 10-14-16

  
Mark R. Musson  
Date 10/14/16

**OHIO TURNPIKE AND INFRASTRUCTURE COMMISSION  
ADDENDUM NO. 1  
PROJECT NO. 39-17-01**

**QUESTIONS AND ANSWERS THROUGH 3:00 PM ON OCTOBER 14, 2016**

**Q#1** On the Bid Express proposal form as well as the excel bid item form, ref. 65 and 66 in the description do not indicate what size conduit. Please provide this information.

*A#1 The descriptions for Ref. No. 65 and 66 is modified to include, "6" CONDUIT, TYPE E, 707.31 (TYPE CP)" and "6" CONDUIT, TYPE F, 707.33", respectively. This Addendum No. 1 modifies the Plan Insert Sheet 1 of 1, the General Summary on Plan Sheet 105 of 272 and the Bid Schedule and Estimated Quantities Worksheet.*

**Q#2** Bid item 2 "Catch Basin or Inlet Removed, As Per Plan": plan sheet 104 refers the "as per plan" note to plan sheet 11. There are no plan notes on this sheet 11 or the remaining general note sheets. Please define the "as per plan" or revise the bid item to eliminate the "as per plan" designation.

*A#2 This Addendum No. 1 deletes the references to "As per plan" in Ref. No. 2 on the Bid Schedule and in the General Summary on Plan Sheet 104 of 272.*

**Q#3** Bid item 77 "Catch Basin Adjusted to Grade, 4" or Less, As Per Plan": Subsummary on plan sheet 108 gives two stations for work to be complete. Both locations have castings in each direction. If the owner wants catch basins adjusted in each direction, should the quantity be increased from 2 each to 4 each?

*A#3 Yes. This Addendum No. 1 increases the quantity for "Catch Basin Adjusted to Grade, 4" or Less, As Per Plan" from 2 to 4 Each in the Bid Schedule, the Drainage Subsummary on Plan Sheet 8 of 272 and the General Summary on Plan Sheet 105 of 272.*

**Q#4** Bid item 78 "Catch Basin Grate and Casting, As Per Plan": Subsummary on plan sheet 108 gives 12 stations for work to be complete. All locations have castings in each direction. If the owner wants castings provided and installed in each direction, should the quantity be increased from 12 each to 24 each?

*A#4 Yes. This Addendum No. 1 increases the quantity for "Catch Basin Adjusted to Grade, As Per Plan" from 12 to 24 Each in the Bid Schedule, the Drainage Subsummary on Plan Sheet 8 of 272 and the General Summary on Plan Sheet 105 of 272.*

**Q#5** Can you provide the daily number of trains? This information is needed to obtain the R/R Insurance

*A#5 The information required for Norfolk-Southern Railroad under SP119 is as follows: all trains are freight trains; one (1) train per day that travels at a*

*maximum speed of 15 mph. The Commission will pay the actual cost for any railroad flaggers, if required.*

**Q#6 There are two bid items for Maintaining traffic (Item 138 and 214)?**

*A#6 No. This Addendum No. 1 deletes Ref. No. 138 / SP 614 - Maintaining Traffic in the Bid Schedule and deletes SP614 - Maintaining Traffic on the Maintenance of Traffic General Summary on Plan Sheet 21 of 272.*

**Q#7 Bid Item 52 – seeding and mulching: plan sheet gives a quantity of 56587 s.y. – does this include seeding for the ditch cleanout item (bid item 61)?**

*A#7 Yes, an estimated 20-foot width along the length of each ditch cleanout was included in Ref. No. 61.*

**Q#8 The Small Business Enterprise Goal (SBE/DBE/EDGE) has been set at 10% for this project. Proposal sheet OEI-1 states that SBE's must be certified with the commission. The OTIC website link "Office of Equity and Inclusion Certification List" provides a list of DBE/MBE vendors but has no information on available SBE vendors. Where is a list and/or designation as to what qualifies as an SBE for this project?**

*A#8 To count towards meeting or exceeding the SBE goal, the bidder's subcontractors or material suppliers identified on its Utilization Plan (OEI-2) must be certified as SBE with the Commission or eligible for fast-track SBE certification.*

*All firms certified as SBEs or DBEs with ODOT or EDGE certified through DAS are eligible for fast-track SBE certification with the Commission and count towards the SBE goal. See, OEI-1 and OEI-3 for further elaboration.*

*Those companies certified as SBE with the Commission are identified here: <http://www.ohioturnpike.org/docs/default-source/MBE-DBE/certification-list--10-13-2016.pdf?sfvrsn=2>.*

*Bidders may identify potential subcontractors and materials suppliers that are eligible for fast-track with the Commission and credit towards the project's SBE goal on ODOT's SBE Certified List:*

*<http://www.dot.state.oh.us/Divisions/ODI/SDBE/Pages/SBE.aspx>*

*Or searching ODOT's DBE directory:*

*<http://www.dot.state.oh.us/Divisions/ODI/SDBE/Pages/DBE-Directory.aspx>*

*Or searching the EDGE Certification registry at DAS:*

*<http://eodreporting.oit.ohio.gov/searchEDGE.aspx>*

*The Commission further identified the attached list of companies potentially available to participate in the project and contribute towards achieving the 10% SBE Goal.*

**Q#9 Bid items 37 and 38: no quantity of Concrete Barrier, Type B-50, As Per Plan was deducted for the End Anchors. Will the Concrete Barrier, Type B-50 be measured and paid through the End Anchors?**

*A#9 Yes.*

**Q#10 Bid item 49 “Topsoil, Furnished and Placed”:** plan sheet 112 gives a brief description of this item, but no standard drawing and/or breakdown of how many areas, dimensions, locations, removal of existing soil requirements, etc. have been provided. Please provide more concise information (such as if it goes in the ditch line, on slopes near bridges, on slopes off shoulder, etc.) so that these can be properly costed out and bid.

*A#10 The required Work for Ref. No.49 – Topsoil, Furnished and Placed, As Per Plan is explained in the “Vegetative Filter Strips and Biofilters” General Note on Plan Sheet 112 of 272. The construction of the these permanent stormwater controls are contingency item/quantity to be used as directed by the Chief Engineer.*

*This Addendum No. 1 revises the description for Ref. No. 51 to “Topsoil Furnished and Placed (For Slopes) on Plan Sheet 15 of 272, in the General Summary on Plan Sheet 105 of 272 and on Bid Schedule. The Topsoil Furnished and Placed (For Slopes) is further described in the revision to Plan Sheet 15 of 272.*

**Q#11 Bid items 37 and 42: what type of interduct will be used in the median barrier and/or wall that gets replaced (i.e. 3-cell, 4-cell)? How many runs of each type will be required? Is pull string required in each cell? If so, what is the spacing between junction boxes?**

*A#11 This Addendum No. 1 modifies the third paragraph in General Note on Plan Sheet 10 of 272the “Item 622 - Concrete Barrier, Type B-50, As Per Plan” to read: “The SP625 – Conduit with Multi-cell Innerduct and SP625A – Junction Box, Polymer Concrete, 18”x8”x8” shall not be reinstalled. The conduit at the place where the concrete barrier is saw cut shall be plugged prior to replacing the new concrete barrier.”*

**Q#12 Bid item 213- “Railroad Protective Liability Insurance, NSRR”-** In order to get a quote, we need information about the existing railroad, including but not limited to: type of rail traffic (passenger and/or freight trains), frequency and speed of the trains, number of main lines and branch lines, and who pays for the railroad flagger if required. None of this is provided in the SP119 specification, can the owner please provide this information?

*A#12 Please see the response to Q#5.*

**Q#13 Bid item 42- Median Barrier Wall:** plan sheet 12 gives locations and contingency quantities for this item. Will the contractor need to remove the base as well and how will removal of the median barrier wall and restoration of adjoining shoulder pavements be paid for?

A#13 *This Addendum No. 1 modifies the General Note on Plan Sheet 12 of 272 "Concrete Median Wall Repairs" to add the following: "The Item 622 - Median Wall Replacement work shall include the removal of the existing barrier wall down to the foundation only. The foundation shall remain in place and any damage No. 8 epoxy coated deformed steel bars shall be replaced in accordance with OTIC Standard Drawing CBR-3. The new barrier wall shall be installed in accordance with OTIC Standard Drawing CBR-3 except the Item 625 – Conduit with Multi-cell Innerduct does not have to be replaced."*

**Q#14 Bid item 153- Removal of Pavement Marking: the note titled "WORK ZONE PAVEMENT MARKINGS" on sheet 17/272 states item SP 641C – REMOVAL OF PAVEMENT MARKINGS will be for the removal of both existing and temporary work zone pavement markings. The plan quantity of 15.1 miles appears to be understated based on this note. Please review and revise the bid item to reflect the plan note.**

A#14 *The intentions of the note referenced on Plan Sheet 18 of 272 was to address the removal of conflicting existing pavement markings. This Addendum No. 1 clarifies the note for "SP 641C – Removal of Pavement Markings" to more clearly address the removal of existing pavement markings.*

**Q#15 Bid items 138 and 214 are both "SP 614- Maintaining Traffic". Is this a duplicated bid item or are there designated differences between the two bid items?**

A#15 *Please see the response to Q#6.*

**Q#16 Will the turnpike allow the aggregate being removed from the project under the existing pavement to be used in the slope repair areas? Specifically, in the benching areas as opposed to bringing in "borrow" which may or may not need limestone sand added to it.**

A#16 *No.*

**Q#17 Will the OTIC have any property available for use as a construction project yard and/or field office storage area?**

A#17 *Just west of the Toll Plaza Building at Exit 91, a small area is available for two trailers and limited parking. Recently, an electric connection was installed in this vicinity to service two project trailers. The Contractor should visit this site to review the area and the location of the electric connection. There is area in the infield at Exit 91 that may be used as a construction laydown yard. Prior to obtaining permission to use the infield, the Contractor will need to provide an approved site plan that addresses the area to be used, modify the drainage as needed, provide the buildup, and restore of the area to its original condition. Please note that there is a septic system in this infield.*

**Q#18 Will the OTIC allow any material to be stored/wasted on any of their property in low areas or as mounds to be built from any of the project waste materials generated by the project consisting of concrete pavement, aggregate base, and dirt?**

A#18 No.

**Q#19 Are the final pay quantities by bid line item number available for viewing from OTIC project 39-13-01?**

A#19 *The requested quantities from the Final Pay Estimate on Project 39-13-01 is provided with this Addendum No 1.*

**Q#20 Bid Item #75- 67"x95" Arch Liner Pipe, As Per Plan: plan sheet 11 of 272 clearly states in item 837.02 materials, material shall be limited to 707.42, SS937 or SS938. Arch Pipes are typically not made to these specifications, and per ODOT specifications are listed in CMS 707.02 through 707.07. Please review and revise as needed the specifications to properly address the required liner pipe on this project.**

A#20 *Under the 39-13-01 Project, reconstructing the westbound portion of this section, the conduit was relined with a 66" plastic liner. This Addendum No. 1 removes Ref. No. 75 and modifies Ref. No. 76 accordingly. Further, this Addendum No. 1 modifies the Plan and Profile on Plan Sheet 145 of 272, the Drainage Subsummary on Plan Sheet 108 of 272 and the General Summary on Plan Sheet 105 of 272 to remove this work.*

**Q#21 Bid item 117- Shoulder Preparation, As Per Plan: since there is a new bid item (bid item 13- Embankment with RACP, As Per Plan), will there be need for performing the shoulder preparation (as described on plan sheet 9) in the areas where this item is to be placed since it will be covered with either one of the shoulder stone items?**

A#21 *This question will be answered in Addendum #2.*

**Q#22 Bid item 119- Stone Shoulder Protection: based on sub summary on plan sheet 107, this quantity appears to be understated. Please review and revise in an addendum.**

A#22 *This Addendum No. 1 revises the quantity for Ref. No. 119 to 402 tons. Plan Sheets 106 of 272 and 10 of 272 were also revised to reflect this change.*

**Q#23 Plan sheets 59 and 60 show temporary 12" storm sewer runs which cross under the proposed temporary pavement sections. How are these pipe runs and drainage structures to be paid for?**

A#23 *See the plan note on Plan Sheet 19 of 272. This Addendum No. 1 modifies Note 2 on Plan Sheets 59 of 272 and 60 of 272 to clarify the payment of the MOT Drainage. All costs associated with Maintenance of Traffic drainage items are included in the unit price bid for Item 615 – Pavement for Maintaining Traffic, Class A, As Per Plan.*

**Q#24 Bid item 75- 67”X95” Arch Liner Pipe, As Per Plan: this bid item is to be performed at approximately station 695+00 (MP 95). This existing culvert has already been relined with a 66” pipe. Should this bid item be eliminated and the quantity for bid item 76 (Backfill for Liner Pipe) be reduced accordingly?**

*A#24 Please see the response to Q#20.*

**Q#25 Bid Item 208, Special – Reposition Elastomeric Expansion Bearing including Masonry Plate: this item requires the fillet welds between the bearing’s upper load plate to be removed and then rewelded after the beam has been jacked and the bearing allowed to return to its undeformed state. What if any paint repair/touchup will be required on these 6 each beams/bearings?**

*A#25 This question will be answered in Addendum #2.*

**Q#26 Bid item 101- Partial Depth Pavement Repair: please clarify the material to be used in the 251 Partial Depth Repairs that are to be performed Pre-Phase. The note on Sheet 11 states to use material specified in 251.03 of the ODOT C&MS but there is no asphalt material type specified. Typically this is given in the plan note for this item.**

*A#26 This question will be answered in Addendum #2.*

**Q#27 Plan sheets 93-96 provide details of the crossover at MP 90.0; Please clarify the intent of the 2nd paragraph. If it is required that part of the existing asphalt be removed and replaced to repair, should this be covered under Item 251 Partial Depth Repair or will asphalt wedging be required for smooth transitions for traffic?**

*A#27 The intent of the 2nd paragraph is to clarify that crossover pavement repairs shall be included with the cost of Item 614 – Asphalt Concrete for Maintaining Traffic. This Addendum No. 1 adds text to the Item 614 – Asphalt Concrete for Maintaining Traffic note found on Plan Sheet 19 of 272 to clarify how crossover pavement repairs are to be addressed.*

Addendum No. 1 to Contract 39-17-01:

\_\_\_\_\_  
(Firm Name)

\_\_\_\_\_  
(Signature)

\_\_\_\_\_  
(Printed Name)

Date: \_\_\_\_\_

Ohio Turnpike and Infrastructure Commission  
39-17-01

COMPANY	ADDRESS 1	CITY	STATE	ZIP	BUSINESS PHONE	FAX NUMBER	E-MAIL ADDRESS	Business Type	WORK DISCRPTION
Petty Group, LLC	550 Harvard Avenue, F	Cuyahoga Heights	OH	44105	216-206-2600	216-206-2325	<a href="mailto:npetty@pettygroupplc.com">npetty@pettygroupplc.com</a>	General Contractor	General Contractor specializing in earthwork, landscaping, trucking, concrete, fencing and saw cutting, supplier of aggregates and construction material
K. Davis, Inc.	605 W. Brentwood Dr.-P.O Box 162	Gibsonburg	OH	43431	419-307-0305		<a href="mailto:kevindavisinc@yahoo.com">kevindavisinc@yahoo.com</a>	Construction	Construction and Supply
Rietschlin Construction, Inc.	4240 Baker Road	Crestline	OH	44827	419-347-4341	419-347-1062	<a href="mailto:meg@rietschlinconstructionoh.com">meg@rietschlinconstructionoh.com</a>	Construction	Bridges, Streets, Concrete, Site work, Underground utility
ArrowMark, LLC	3596 Harris Avenue	Canton	OH	44708	234-437-0366	330-437-0366	<a href="http://www.arrowmarkllc.com">www.arrowmarkllc.com</a>	Construction	Subsurface infrastructure location
Cuyahoga Fence LLC	3100 East 45th St, #516	Cleveland	OH	44127	216-830-2200	216-830-2255	<a href="mailto:ritas@cuyahogafence.com">ritas@cuyahogafence.com</a>	Construction	Construction, fence and guardrail
MCTECH CORP	8100 Grand Avenue	Cleveland	OH	44104	216-391-7700	216-391-6951	<a href="mailto:mctech360@mctech360.com">mctech360@mctech360.com</a>	Construction	General contracting, construction management
RAR Contracting Company	5350 Transportation Blvd., Suite 16	Garfield Heights,	OH	44125			<a href="mailto:keith.rogers@rarcontractingco.com">keith.rogers@rarcontractingco.com</a>	Construction	All Other Specialty Trade Contractors, Truck-mixed concrete manufacturing, Brick, Stone, and Related Construction Material Merchant Wholesalers, Specialized Freight (except Used Goods) Trucking, Local , Remediation S
Cuyahoga Bridge & Road	370 Ryan Road	Seville	OH	44273			<a href="mailto:jschemp@cbr2003.com">jschemp@cbr2003.com</a>	Highway, Street, and Bridge Construction	Heavy Highway Construction
Barbicas Construction Co	124 Darrow Road, Suit	Akron	OH	44305	330-733-9104	330-733-9051	<a href="mailto:carla.barbicas@barbicas.com">carla.barbicas@barbicas.com</a>	Highway, Street, and Bridge Construction	Asphalt Paving
Cook Paving & Construction Co., Inc.	11360 Brookpark Rd., Suite 212	Brooklyn	OH	44130-1111	216-267-7705	216-267-7595	<a href="mailto:linda.fletcher@cookpaving.com">linda.fletcher@cookpaving.com</a>	Construction	General contracting, asphalt/concrete paving, complete site development, underground utilities, concrete repair, construction material supplier and directional drilling
KBJ Construction	7817 First Place	Oakwood Village	OH	44146	4402323334	440-232-3337	<a href="mailto:Kyle@KBJCONSTRUCT.COM">Kyle@KBJCONSTRUCT.COM</a>	Construction	General Contracting and Construction
Ebony Construction Com	3510 Centennial Road	Sylvania	OH	43560	419-841-3455	419-841-7845	<a href="mailto:amyl@ebonyco.com">amyl@ebonyco.com</a>	Highway, Street, and Bridge Construction	Heavy highway construction, asphalt paving, milling and material supply

Potentially Available SBEs for Participation Credit



Ohio Turnpike and Infrastructure Commission  
39-17-01

J.D. Williamson Construc	441 Geneva Ave	Tallmadge	OH	44278	330-633-1258	330-633-1398	<a href="mailto:maryf@jdwilliamsonconstruction.com">maryf@jdwilliamsonconstruction.com</a>	Highway, Street, and Bridge Construction	Highway, street and bridge construction
All Aspects Contracting Inc.	2800 Euclid Avenue Suite 523	Cleveland	OH	44115	440-315-0904	440-365-0920	<a href="mailto:allaspectscontracting@hotmail.com">allaspectscontracting@hotmail.com</a>	Demolition	Demolition, Remediation Services, General Freight Trucking, Local; Poured concrete Foundation Structure Contractors, Other Building Finishing contractors, Site Preparation Contractors
B.G. Trucking & Construc	11330 Market Street	North Lima	OH	44452	234-759-3440	234-759-3442	<a href="mailto:berlew128@aol.com">berlew128@aol.com</a>	Highway, Street, and Bridge Construction	Heavy highway construction
Cordova Enterprises, LLC dba CorStone, Ltd	3100 East 45th St., Suite 322	Cleveland	OH	44114	216-441-9860	216-441-9865	<a href="mailto:lcapretta@corstonltd.com">lcapretta@corstonltd.com</a>	Construction	General contractor specializing in crushed and broken limestone mining and quarrying, ready-mix concrete manufacturing and distributing, general trucking, site preparation contractors and demolition
Armstrong Steel Erectors	50 South Fourth Street	Newark	OH	43058-0	740-345-4503	740-345-4505	<a href="mailto:armsteel@aol.com">armsteel@aol.com</a>	Highway, Street, and Bridge Construction	Bridge contractor, complete bridge construction, and steel/precast bridge members, installation of reinforcing steel and related bridge activities
Mid-Ohio Structures LLC	2214 Ridge Road	Norwalk	OH	44857	419-663-0061	567-424-6460	<a href="mailto:ldauch@neo.rr.com">ldauch@neo.rr.com</a>	Highway, Street, and Bridge Construction	Heavy highway bridge construction/repair pedestrian bridge construction
Performance Hydroblasti	11957 Whitman Rd	Doylestown	OH	44230	330-658-6438	330-658-1371	<a href="mailto:joyce@ohblaster.com">joyce@ohblaster.com</a>	Highway, Street, and Bridge Construction	Highway construction
Cosmos Industrial Services Inc.	9103 Detroit Ave.	Cleveland	OH	44102	216-861-8361	216-861-4032	<a href="mailto:pdouountakis@cosmosindustrial.com">pdouountakis@cosmosindustrial.com</a>	Construction	Construction
Eaton Construction Company Inc.	PO Box 684 653 Island Rd	Circleville	OH	43113	740-474-3414	740-474-9616	<a href="mailto:debbie.eaton@frontier.com">debbie.eaton@frontier.com</a>	Construction	Joint sawing and sealing/RPMs
R.J. Runge Company Inc.	3539 NE Catawba Rd	Port Clinton	OH	43452	419-740-5781	419-797-9379	<a href="mailto:arunge@rjrunge.com">arunge@rjrunge.com</a>	Construction	Construction
ETA Development Inc.	1187 Bellows St.	Akron	OH	44301	330-785-9006	330-785-1001	<a href="mailto:tanja@etadev.com">tanja@etadev.com</a>	Construction	Construction services
Roma Designs LLC	6414 St. Clair Ave.	Cleveland	OH	44103	216-751-7888	216-431-0301	<a href="mailto:pwilliams@romadesignsconstruction.com">pwilliams@romadesignsconstruction.com</a>	Construction	General Contractor

Potentially Available SBEs for Participation Credit

Ohio Turnpike and Infrastructure Commission  
39-17-01

A. Gillam & Associates Inc.	2003 McGuffey Road	Youngstown	OH	44505	330-743-9702	330-743-8781	<a href="mailto:agilliamsr@aol.com">agilliamsr@aol.com</a>	Construction	General Construction and Supplies
Rampart Hydro Services, L.P.	530 Moon Clinton Road	Coraopolis	PA	15108	412-262-4511	412-262-6188	<a href="mailto:newbold@rampart-hydro.com">newbold@rampart-hydro.com</a>	Demolition	Hydro demolition- the use of high pressure water to remove rubber paint from runways as well as break up concrete on roadways, bridges, dams, parking, etc.
Vasta Construction Co., Inc.	12980 Avon Belden Road	Grafton	OH	44044	440-748-6519	440-748-2602	<a href="mailto:vastaconstruction@yahoo.com">vastaconstruction@yahoo.com</a>	Highway, Street, and Bridge Construction	Heavy highway construction and bridge repair

**Ohio Turnpike and Infrastructure Commission**  
39-17-01

Company Name	Email Address	Address	City	ST	ZipCode	County	Phone Number	FAX Number	NAICS Code Description
AKA Construction Management Team, Inc.	<a href="mailto:arlane@akateam.com">arlane@akateam.com</a>	4640 Hinckley Industrial Parkway	Cleveland	OH	44109	Cuyahoga	(216)312-9900	216-812-3617	Construction management, highway, road, street and bridge
							216-751-2000	216-812-3617	Construction management, highway, road, street and bridge
Alan Stone Co., Inc.	<a href="mailto:asckim@frontier.com">asckim@frontier.com</a>	1324 Ellis Run Road	Cutler	OH	45724	Washington	(304)375-6484	(304)375-7541	Aggregate Bases; Bridge Construction Level 1; Bridge Construction Level 2; Bridge Structure Repairs; Expansion & Contraction Joints, Joint Sealers, Bearing Devices; Flexible Paving; Guardrail Construction; Highway Signing; Miscellaneous Concrete; Pavement Markings; Rigid Pavement Replacement; Traffic Stripes
							(740)517-1729	(304)375-7541	Aggregate Bases; Bridge Construction Level 1; Bridge Construction Level 2; Bridge Structure Repairs; Expansion & Contraction Joints, Joint Sealers, Bearing Devices; Flexible Paving; Guardrail Construction; Highway Signing; Miscellaneous Concrete; Pavement Markings; Rigid
All Aspects Contracting, Inc.	<a href="mailto:allaspectscontracting@hotmail.com">allaspectscontracting@hotmail.com</a>	905 Bennett Drive	Elyria	OH	44035	Cuyahoga	440-315-0904	(440)365-0920	Aggregate Bases; Bridge Structure Repairs; Miscellaneous Concrete
American Roadway Logistics, Inc.	<a href="mailto:hclaxton@arllnc.us">hclaxton@arllnc.us</a>	3920 Congress Parkway	Richfield	OH	44286	Summit	330-659-2013	(330)659-0200	Bridge Construction Level 1; Bridge Construction Level 2; Bridge Structure Repairs; Highway Signing; Traffic Stripes
Armstrong Steel Erectors, Inc.	<a href="mailto:armsteel@aol.com">armsteel@aol.com</a>	50 South Fourth Street	Newark	OH	43055	Licking	(419)438-4388	(740)345-4505	Aggregate Bases; Bridge Construction Level 1; Bridge Construction Level 2; Bridge Construction Level 3; Bridge Structure Repairs; Expansion & Contraction Joints, Joint Sealers, Bearing Devices; Miscellaneous Concrete; Pavement Planing, Milling Scarification
							740-345-4503	(740)345-4505	Aggregate Bases; Bridge Construction Level 1; Bridge Construction Level 2; Bridge Construction Level 3; Bridge Structure Repairs; Expansion & Contraction Joints, Joint Sealers, Bearing Devices; Miscellaneous Concrete; Pavement Planing, Milling Scarification
B.G. Trucking & Construction, Inc.	<a href="mailto:BERLEW128@AOL.COM">BERLEW128@AOL.COM</a>	11330 Market Street	North Lima	OH	44452	Mahoning	(330)620-8734	(234)759-3442	Aggregate Bases; Application of Bituminous Treatments; Bridge Construction Level 1; Bridge Construction Level 2; Bridge Structure Repairs; Expansion & Contraction Joints, Joint Sealers, Bearing Devices; Flexible Paving; Flexible Replacement; Miscellaneous Concrete; Pavement Planing, Milling Scarification; Rigid Pavement Replacement; Rigid Paving; Traffic Stripes
							234-759-3440	(234)759-3442	Aggregate Bases; Application of Bituminous Treatments; Bridge Construction Level 1; Bridge Construction Level 2; Bridge Structure Repairs; Expansion & Contraction Joints, Joint Sealers, Bearing Devices; Flexible Paving; Flexible Replacement; Miscellaneous Concrete; Pavement Planing, Milling Scarification; Rigid Pavement Replacement; Rigid Paving; Traffic Stripes
BUDS, Inc.	<a href="mailto:diane@budsinc04.com">diane@budsinc04.com</a>	6260 Newark Road	Nashport	OH	43830	Licking	740-297-8729	(740)297-8731	Aggregate Bases; Bridge Construction Level 1; Bridge Construction Level 2; Bridge Structure Repairs; Expansion & Contraction Joints, Joint Sealers, Bearing Devices; Guardrail Construction; Highway Signing; Miscellaneous Concrete; Rigid Pavement Replacement; Rigid Paving
Ballast Construction, Inc. dba Ballast Fence	<a href="mailto:anerone@ballastfence.com">anerone@ballastfence.com</a>	19501 S. Miles Road - Suite #2	Warrensville Heights	OH	44128	Cuyahoga	216-662-2436	<< NONE >>	Guardrail Construction; Highway Signing
Bansal Construction, Inc.	<a href="mailto:tracy.powell@bansalinc.com">tracy.powell@bansalinc.com</a>	3263 Homeward Way	Fairfield	OH	45014	Butler	(513)227-7211	513-874-1346	Aggregate Bases; Flexible Paving; Highway Signing; Miscellaneous Concrete; Pavement Planing, Milling Scarification
							513-874-5410	513-874-1346	Aggregate Bases; Flexible Paving; Highway Signing; Miscellaneous Concrete; Pavement Planing, Milling Scarification
Barbicas Construction Company	<a href="mailto:carla.barbicas@barbicas.com">carla.barbicas@barbicas.com</a>	124 Darrow Road	Akron	OH	44305	Summit	3303522746	(330)733-9051	Aggregate Bases; Application of Bituminous Treatments; Flexible Paving; Flexible Replacement; Highway Signing; Miscellaneous Concrete; Pavement Planing, Milling Scarification; Rigid Pavement Replacement; Rigid Paving
							330-733-9101	(330)733-9051	Aggregate Bases; Application of Bituminous Treatments; Flexible Paving; Flexible Replacement; Highway Signing; Miscellaneous Concrete; Pavement Planing, Milling Scarification; Rigid Pavement Replacement; Rigid Paving
Beaverdam Contracting Inc	<a href="mailto:bcj8300@gmail.com">bcj8300@gmail.com</a>	8300 N Dixie Highway	Bluffton	OH	45817	Allen	(419)233-8784	419-358-0515	Highway, Street, and Bridge Construction
							419-358-0400	419-358-0515	Highway, Street, and Bridge Construction
Black Horse Bridge Construction Inc	<a href="mailto:blackhorsebridge@">blackhorsebridge@</a>	5185 Wooster Rd.	Norton	OH	44203	Summit	234-678-8731	(234)678-9747	Aggregate Bases; Bridge Construction Level 1; Bridge Construction Level 2; Bridge Construction Level 3; Bridge Structure Repairs; Expansion & Contraction Joints, Joint Sealers, Bearing Devices; Highway Signing; Miscellaneous Concrete; Rigid Pavement Replacement

# Ohio Turnpike and Infrastructure Commission

## 39-17-01

Black Horse Bridge Construction Inc.	<a href="mailto:aol.com">aol.com</a>	West						3303515011	(234)678-9747	Aggregate Bases; Bridge Construction Level 1; Bridge Construction Level 2; Bridge Construction Level 3; Bridge Structure Repairs; Expansion & Contraction Joints, Joint Sealers, Bearing Devices; Highway Signage; Miscellaneous Concrete; Rigid Pavement Replacement
BridgeCo Construction, L.L.C.	<a href="mailto:mbridges3899@sbglobal.net">mbridges3899@sbglobal.net</a>	1120 Rarig Avenue	Columbus	OH	43219	Franklin	614-253-7332	<< NONE >>		Highway, Street, and Bridge Construction
Bridges Bros Trucking L.L.C.	<a href="mailto:mbridges3899@sbglobal.net">mbridges3899@sbglobal.net</a>	1120 Rarig Avenue	Columbus	OH	43219	Franklin	614-475-5003	<< NONE >>		Highway, Street, and Bridge Construction
C. Lancelot Scheduling Services, Inc.	<a href="mailto:lancelotcpm@verizon.net">lancelotcpm@verizon.net</a>	2 Eastview Road	Latham	NY	12110	Out of State	518-944-1111	<< NONE >>		Highway, Street, and Bridge Construction
C2PM	<a href="mailto:rowena@C2PM.com">rowena@C2PM.com</a>	22601 Summerfield	Mission Viejo	CA	92692	Out of State	949-333-3700	949-333-3701		Highway, Street, and Bridge Construction
CE Hughes Milling, Inc.	<a href="mailto:caroline@hughesmilling.com">caroline@hughesmilling.com</a>	3113 Holmans Lane	Jeffersonville	IN	47130	Out of State	(812)989-4745	812-725-8672		Highway, Street, and Bridge Construction
							812-725-8665	812-725-8672		Highway, Street, and Bridge Construction
CROSS ROADS CONSTRUCTION INC	<a href="mailto:crossroadsconstruction@aol.com">crossroadsconstruction@aol.com</a>	3155 Harding Lane	Cambridge	OH	43725	Guernsey	740-255-5148	<< NONE >>		Aggregate Bases; Bridge Construction Level 1; Bridge Construction Level 2; Bridge Structure Repairs; Expansion & Contraction Joints, Joint Sealers, Bearing Devices; Guardrail Construction; Highway Signage; Miscellaneous Concrete; Rigid Pavement Replacement; Rigid Paving
Cannon Construction Services, LLC	<a href="mailto:dferrell@cannon-cs.com">dferrell@cannon-cs.com</a>	1550 Magnolia Drive	Cincinnati	OH	45215	Hamilton	513-265-0079	<< NONE >>		Highway, Street, and Bridge Construction
Caver Brothers Inc.	<a href="mailto:marcelcbi@yahoo.com">marcelcbi@yahoo.com</a>	3770 East 93rd Street	Cleveland	OH	44105	Cuyahoga	216-751-0260	216-751-0346		Highway, Street, and Bridge Construction
Combine Construction, Inc.	<a href="mailto:combineconstructioninc@gmail.com">combineconstructioninc@gmail.com</a>	1306 Furnace Road	Sharon	PA	16146	Out of State	724-346-1132	724-346-2320		Aggregate Bases; Miscellaneous Concrete; Rigid Pavement Replacement; Rigid Paving
Construction Support Solutions	<a href="mailto:anna.klee@constructionssupportsolutions.com">anna.klee@constructionssupportsolutions.com</a>	334 Bounty Way	Avon Lake	OH	44012	Lorain	440-541-6642	440-653-9482		Construction management, highway, road, street and bridge
Cooper Zietz Engineers, Inc.	<a href="mailto:herbf@coopercm.com">herbf@coopercm.com</a>	620 Sw 5th Avenue	Portland	OR	97204	Out of State	503-253-5429	503-253-5412		Highway, Street, and Bridge Construction
Cosmos Industrial Services, Inc.	<a href="mailto:pdourountakis@cosmosindustrial.com">pdourountakis@cosmosindustrial.com</a>	9103 Detroit Avenue	Cleveland	OH	44102	Cuyahoga	216-861-8361	216-861-4032		Highway, Street, and Bridge Construction
Countryside Gardens, Inc.	<a href="mailto:ljohnkathy@aol.com">ljohnkathy@aol.com</a>	3272 St. Rt. 502	Greenville	OH	45331	Darke	(937)459-6528	937-547-6188		Aggregate Bases; Miscellaneous Concrete
							937-547-1727	937-547-6188		Aggregate Bases; Miscellaneous Concrete
Crawford Consulting Services, Inc.	<a href="mailto:mcrawford@crawfordconsultingservice.com">mcrawford@crawfordconsultingservice.com</a>	239 Highland Avenue	East Pittsburgh	PA	15112	Out of State	412-823-0400	<< NONE >>		Construction management, highway, road, street and bridge
Cuyahoga Bridge & Road, Inc.	<a href="mailto:ischemp@cbr2003.com">ischemp@cbr2003.com</a>	370 Ryan Rd	Seville	OH	44273	Medina	330-769-2999	330-769-3235		Aggregate Bases; Bridge Construction Level 1; Bridge Construction Level 2; Bridge Construction Level 3; Bridge Structure Repairs; Expansion & Contraction Joints, Joint Sealers, Bearing Devices; Flexible Paving; Miscellaneous Concrete; Rigid Pavement Replacement; Rigid Paving
Dave's Asphalt LLC	<a href="mailto:davesasphalt@att.net">davesasphalt@att.net</a>	2502 8th Street Ne	Canton	OH	44704	Stark	(330)313-6238	<< NONE >>		Asphalt paving (i.e., highway, road, street, public sidewalk)
Dawn Incorporated	<a href="mailto:info@dawnincorporated.com">info@dawnincorporated.com</a>	106 East Market Street, Suite 505	Warren	OH	44481	Trumbull	(330)240-7711	330-652-7714		Miscellaneous Concrete
							(330)652-7711	330-652-7714		Miscellaneous Concrete
Deere/Short Excavating	<a href="mailto:shortexc@hotmail.com">shortexc@hotmail.com</a>	14830 Fladt Road	Marysville	OH	43040	Union	(614)4021192	937-644-3181		Highway, Street, and Bridge Construction
							937-644-0407	937-644-3181		Highway, Street, and Bridge Construction
Eaton Construction Company, Inc.	<a href="mailto:debbie.eaton@frontier.com">debbie.eaton@frontier.com</a>	P O Box 684	Circleville	OH	43113	Pickaway	740-474-3414	740-474-9616		Expansion & Contraction Joints, Joint Sealers, Bearing Devices; Pavement Markings
Ebony Construction Co., Inc.	<a href="mailto:ahall@ebonyco.com">ahall@ebonyco.com</a>	3510 Centennial Road	Sylvania	OH	43560	Lucas	419-841-3455	419-841-7845		Aggregate Bases; Application of Bituminous Treatments; Flexible Paving; Flexible Replacement; Miscellaneous Concrete; Pavement Planing, Milling Scarification
Eclipse Co., LLC	<a href="mailto:jen@eclipsecollc.com">jen@eclipsecollc.com</a>	11554 East Washington Street	Chagrin Falls	OH	44023	Cuyahoga	216-332-9821	440-543-3495		Aggregate Bases; Guardrail Construction; Miscellaneous Concrete; Pavement Markings; Rigid Pavement Replacement; Rigid Paving; Traffic Stripes
							440-543-3493	440-543-3495		Aggregate Bases; Guardrail Construction; Miscellaneous Concrete; Pavement Markings; Rigid Pavement Replacement; Rigid Paving; Traffic Stripes
Follow the River Designs, LLC	<a href="mailto:followtheriver@ymail.com">followtheriver@ymail.com</a>	4330 E Hooppole Ridge Road	Mcconnellsville	OH	43756	Morgan	614-325-9954	<< NONE >>		Aggregate Bases; Bridge Construction Level 1; Bridge Construction Level 2; Bridge Structure Repairs; Expansion & Contraction Joints, Joint Sealers, Bearing Devices; Flexible Replacement; Pavement Planing, Milling Scarification; Rigid Pavement Replacement

Potentially Available SBEs for Participation Credit

**Ohio Turnpike and Infrastructure Commission**  
**39-17-01**

<b>Foundation Steel, LLC</b>	<a href="mailto:charlotte@foundationsteel.net">charlotte@foundationsteel.net</a>	P.O. Box 210	Swanton	OH	43558	Lucas	419-402-4241	419-402-4248	Expansion & Contraction Joints, Joint Sealers, Bearing Devices; Stay in Place Bridge Decking
<b>G. Stephens, Inc.</b>	<a href="mailto:gstephens@gstephensinc.com">gstephens@gstephensinc.com</a>	133 N. Summit Street	Akron	OH	44304	Summit	330-762-1386	330-762-0044	Construction management, highway, road, street and bridge
<b>Garza Construction, Inc</b>	<a href="mailto:garzaconstructioninc@yahoo.com">garzaconstructioninc@yahoo.com</a>	3068 East State Street	Fremont	OH	43420	Sandusky	419-355-0830	419-355-9096	Highway, Street, and Bridge Construction
							419-986-5800	419-355-9096	Highway, Street, and Bridge Construction
<b>Grissom Construction, LLC</b>	<a href="mailto:grissomcon@att.net">grissomcon@att.net</a>	8333 N. Mulberry Grove-Rakestraw Road	Covington	OH	45318	Miami	(937)4705816	937-773-8771	Aggregate Bases; Application of Bituminous Treatments; Flexible Paving; Flexible Replacement; Miscellaneous Concrete; Rigid Pavement Replacement; Rigid Paving
							937-773-2475	937-773-8771	Aggregate Bases; Application of Bituminous Treatments; Flexible Paving; Flexible Replacement; Miscellaneous Concrete; Rigid Pavement Replacement; Rigid Paving
<b>Guinto Schirack Engineering</b>	<a href="mailto:iguinto@asengineer.com">iguinto@asengineer.com</a>	1085 Rockside Road	Parma	OH	44134	Cuyahoga	(216)2870993	216-803-3444	Aggregate Bases; Bridge Construction Level 1; Bridge Construction Level 2; Bridge Structure Repairs; Expansion & Contraction Joints, Joint Sealers, Bearing Devices; Miscellaneous Concrete; Rigid Pavement Replacement
							(216)741-7453	216-803-3444	Aggregate Bases; Bridge Construction Level 1; Bridge Construction Level 2; Bridge Structure Repairs; Expansion & Contraction Joints, Joint Sealers, Bearing Devices; Miscellaneous Concrete; Rigid Pavement Replacement
<b>Hughes Contracting, Inc.</b>	<a href="mailto:HCiChipSeal@aol.com">HCiChipSeal@aol.com</a>	595 Waterloo Road, Suite H	Suffield	OH	44260	Portage	(330)697-0424	330-628-5916	Application of Bituminous Treatments
							330-628-7400	330-628-5916	Application of Bituminous Treatments
<b>Interstate Sealant &amp; Concrete, Inc</b>	<a href="mailto:csrment@interstate-sealant.com">csrment@interstate-sealant.com</a>	S40 W24211 Rockwood Way	Waukesha	WI	53189	Out of State	262-547-6316	262-547-6844	Flexible Replacement; Miscellaneous Concrete; Rigid Pavement Replacement
<b>J &amp; B Steel Erectors, Inc.</b>	<a href="mailto:toya@jbsteel.com">toya@jbsteel.com</a>	9430 Sutton Place	Hamilton	OH	45011	Butler	513-874-1722	513-870-6383	Post Tensioning Bridge Members; Stay in Place Bridge Decking
<b>J.D. Williamson Construction Co., Inc.</b>	<a href="mailto:maryf@jdwilliamsonconstruction.com">maryf@jdwilliamsonconstruction.com</a>	441 Geneva Avenue	Tallmadge	OH	44278	Summit	(419)602-1165	330-633-1398	Aggregate Bases; Bridge Construction Level 1; Bridge Construction Level 2; Bridge Construction Level 3; Bridge Structure Repairs; Expansion & Contraction Joints, Joint Sealers, Bearing Devices; Miscellaneous Concrete; Rigid Pavement Replacement; Rigid Paving; Stay in Place Bridge Decking
							330-633-1258	330-633-1398	Aggregate Bases; Bridge Construction Level 1; Bridge Construction Level 2; Bridge Construction Level 3; Bridge Structure Repairs; Expansion & Contraction Joints, Joint Sealers, Bearing Devices; Miscellaneous Concrete; Rigid Pavement Replacement; Rigid Paving; Stay in Place Bridge Decking
<b>JOSTIN CONCRETE CONSTRUCTION INC</b>	<a href="mailto:kimc@jostinconstruction.com">kimc@jostinconstruction.com</a>	2335 Florence Ave	Cincinnati	OH	45206	Hamilton	513-559-9390	<< NONE >>	Highway, Street, and Bridge Construction
<b>John Cecil Construction, LLC</b>	<a href="mailto:johncccon.frank@yahoo.com">johncccon.frank@yahoo.com</a>	743 N. James Road	Columbus	OH	43219	Franklin	740-606-1787	614-231-5797	Highway, Street, and Bridge Construction
<b>KNM ENTERPRISES CORPORATION INC</b>	<a href="mailto:knmenterprise@gmail.com">knmenterprise@gmail.com</a>	1970 Scranton Ave	Cleveland	OH	44113	Cuyahoga	(417)559-7919	(216)363-1889	Bridge Structure Repairs
							216-583-0383	(216)363-1889	Bridge Structure Repairs
<b>LA Williams Construction</b>	<a href="mailto:LAWill57@yahoo.com">LAWill57@yahoo.com</a>	7807 Affinity Drive	Cincinnati	OH	45236	Hamilton	513-429-2271	513-429-2344	Miscellaneous Concrete
<b>LMS Construction, Inc.</b>	<a href="mailto:KathyHCPA@aol.com">KathyHCPA@aol.com</a>	58970 Kirkland Hill	Bellaire	OH	44390	Belmont	740-676-7786	740-676-7786	Highway, Street, and Bridge Construction
<b>Landview Services, LLC</b>	<a href="mailto:tdenning@landview-services.com">tdenning@landview-services.com</a>	5381 Princeton Road	Liberty Township	OH	45011	Butler	(513)673-5062	513-737-5467	Miscellaneous Concrete
							513-737-8055	513-737-5467	Miscellaneous Concrete
<b>Leroy &amp; Kurt Construction, LLC</b>	<a href="mailto:llj527@sbcglobal.net">llj527@sbcglobal.net</a>	44330 Zuber Rd	Orient	OH	43146	Pickaway	(614)539-0001	(614)871-9522	Surfacing, highway, road, street, bridge or airport runway
							(614)554-2614	(614)871-9522	Surfacing, highway, road, street, bridge or airport runway
<b>Lionel Construction Company, Inc.</b>	<a href="mailto:slionel@rrohio.com">slionel@rrohio.com</a>	1233 Maple Avenue	Zanesville	OH	43701	Muskingum	740-453-7502	<< NONE >>	Aggregate Bases; Application of Bituminous Treatments; Bridge Structure Repairs; Flexible Paving; Flexible Replacement; Miscellaneous Concrete; Pavement Planing, Milling Scarification; Rigid Pavement Replacement; Rigid Paving
<b>Lloyd Johnson Enterprises, Inc - Broker</b>	<a href="mailto:ljohnson@lloydjohnsonenterprises.com">ljohnson@lloydjohnsonenterprises.com</a>	23081 Schumer Avenue	Warrensville Heights	OH	44128	Cuyahoga	(216)538-7357	8772616385	Construction management, highway, road, street and bridge
							(440)549-8070	8772616385	Construction management, highway, road, street and bridge
<b>MASSILLON CONSTRUCTION AND SUPPLY LLC</b>	<a href="mailto:tcarr@usmcs.com">tcarr@usmcs.com</a>	1322 Erie St South	Massillon	OH	44646	Stark	330-737-2160	(330)737-2170	Highway, Street, and Bridge Construction

Potentially Available SBEs for Participation Credit

**Ohio Turnpike and Infrastructure Commission**  
**39-17-01**

<b>McDaniels Construction Corp., Inc.</b>	<a href="mailto:dmoncrief@mcdanielsconstruction.com">dmoncrief@mcdanielsconstruction.com</a>	1069 Woodland Avenue	Columbus	OH	43219	Franklin	614-252-5852	614-258-3097	Aggregate Bases; Bridge Construction Level 1; Bridge Construction Level 2; Bridge Structure Repairs; Expansion & Contraction Joints, Joint Sealers, Bearing Devices; Flexible Paving; Flexible Replacement; Miscellaneous Concrete
<b>NATIVE CONSTRUCTION LLC</b>	<a href="mailto:nativecllc@gmail.com">nativecllc@gmail.com</a>	1409 Dutch Hollow Rd	Beaver	OH	45613	Pike	740-280-6119	<< NONE >>	Bridge Construction Level 2; Bridge Foundations; Bridge Structure Repairs; Expansion & Contraction Joints, Joint Sealers, Bearing Devices
<b>Net Quest Services, Inc.</b>	<a href="mailto:dquinn@netquestservices.com">dquinn@netquestservices.com</a>	5583 Dockside Drive	Mason	OH	45040	Warren	513-234-8646	(513)234-0774	Highway, Street, and Bridge Construction
<b>North Regional Builders Inc</b>	<a href="mailto:lenruf2@aol.com">lenruf2@aol.com</a> <a href="http://northregionalbuilders.com">northregionalbuilders.com</a>	2915 Collingwood Boulevard	Toledo	OH	43610	Lucas	419-250-7592	<< NONE >>	Highway, Street, and Bridge Construction
<b>Northstar Contracting, Inc.</b>	<a href="mailto:stephen@ohionorthstar.com">stephen@ohionorthstar.com</a>	11730 Harvard Avenue	Cleveland	OH	44105	Cuyahoga	216-999-7595	216-999-7598	Highway, Street, and Bridge Construction
							440-250-8606	216-999-7598	Highway, Street, and Bridge Construction
<b>Ohio Diversified Services, Inc.</b>	<a href="mailto:ppantona@cs.com">ppantona@cs.com</a>	20226 Detroit Road	Rocky River	OH	44116	Cuyahoga	(440)3437297	<< NONE >>	Highway, Street, and Bridge Construction
							440-356-7000	<< NONE >>	Highway, Street, and Bridge Construction
<b>Parker Corporation</b>	<a href="mailto:parker62@windstream.net">parker62@windstream.net</a>	State Route 7	Tuppers Plains	OH	45783	Meigs	740-667-6921	740-667-3699	Aggregate Bases; Expansion & Contraction Joints, Joint Sealers, Bearing Devices; Flexible Paving; Flexible Replacement; Guardrail Construction; Highway Signing; Miscellaneous Concrete; Pavement Planning, Milling Scarification; Rigid Pavement Replacement
<b>Pro Construction, Inc.</b>	<a href="mailto:proconstructio4186@sbcglobal.net">proconstructio4186@sbcglobal.net</a>	15005 Upton Avenue	Cleveland	OH	44110	Cuyahoga	216-383-1520	216-383-1521	Concrete paving (i.e., highway, road, street, public sidewalk); Street construction
<b>R L Williams Concrete, LLC</b>	<a href="mailto:chas617@gmail.com">chas617@gmail.com</a>	617 Islington Street	Toledo	OH	43610	Lucas	419-467-1702	<< NONE >>	Highway, Street, and Bridge Construction
<b>R.J. Runge Company, Inc.</b>	<a href="mailto:arunge@rjrunge.com">arunge@rjrunge.com</a>	3539 Ne Catawba Road	Port Clinton	OH	43452	Ottawa	419-740-5781	419-797-9379	Aggregate Bases; Flexible Replacement; Highway Signing; Miscellaneous Concrete; Rigid Pavement Replacement
<b>RBS General Contracting LLC</b>	<a href="mailto:melisa@rosemancontracting.com">melisa@rosemancontracting.com</a>	12806 Lincoln Way W	Massillon	OH	44647	Stark	330-830-4655	330-830-9227	Highway, Street, and Bridge Construction
<b>RIG Consulting, Inc.</b>	<a href="mailto:sharmon.winters@rig-consulting.com">sharmon.winters@rig-consulting.com</a>	555 North Bell Avenue	Carnegie	PA	15106	Out of State	412-276-2027	412-276-1798	Highway, Street, and Bridge Construction
<b>RMI Cement LLC</b>	<a href="mailto:kmarzillirmi@aol.com">kmarzillirmi@aol.com</a>	2213 Gage Ave. Ne	Canton	OH	44705	Stark	(330)8069908	330-452-9001	Aggregate Bases; Bridge Structure Repairs; Expansion & Contraction Joints, Joint Sealers, Bearing Devices; Miscellaneous Concrete; Rigid Pavement Replacement; Rigid Paving
							330-452-1643	330-452-9001	Aggregate Bases; Bridge Structure Repairs; Expansion & Contraction Joints, Joint Sealers, Bearing Devices; Miscellaneous Concrete; Rigid Pavement Replacement; Rigid Paving
<b>Rietschlin Construction, Inc.</b>	<a href="mailto:meq@rietschlinconstructionoh.com">meq@rietschlinconstructionoh.com</a>	4240 Baker Road	Crestline	OH	44827	Crawford	419-347-4341	419-347-1062	Aggregate Bases; Bridge Construction Level 1; Bridge Construction Level 2; Bridge Structure Repairs; Expansion & Contraction Joints, Joint Sealers, Bearing Devices; Flexible Paving; Flexible Replacement; Miscellaneous Concrete; Rigid Pavement Replacement
<b>Rod-Techs, Inc.</b>	<a href="mailto:luthervates@rodtechs.org">luthervates@rodtechs.org</a>	P. O. Box 101	Milford	OH	45150	Hamilton	513-522-1111	513-522-1234	Highway, Street, and Bridge Construction
<b>S.P. Drilling Services, Inc.</b>	<a href="mailto:tammvp@spdrilling.com">tammvp@spdrilling.com</a>	103 Mound Ave.	Milford	OH	45150	Clermont	513-617-7559	513-831-4370	Aggregate Bases; Miscellaneous Concrete
<b>SOLID ROCK CONSTRUCTION SERVICES LLC</b>	<a href="mailto:solidrockconst1@aol.com">solidrockconst1@aol.com</a>	2420 Gallia Street	Portsmouth	OH	45662	Scioto	740-858-3111	(740)858-1972	Aggregate Bases; Highway Signing
<b>Security Fence Group, Inc.</b>	<a href="mailto:cfrankenstein@securityfence.com">cfrankenstein@securityfence.com</a>	4260 Dane Avenue	Cincinnati	OH	45223	Hamilton	(513)3831199	513-681-5487	Guardrail Construction; Highway Signing; Miscellaneous Concrete
							513-681-3700	513-681-5487	Guardrail Construction; Highway Signing; Miscellaneous Concrete
<b>TAB Construction Company, Inc.</b>	<a href="mailto:wer@tab-construction.com">wer@tab-construction.com</a>	530 Walnut Avenue, Ne	Canton	OH	44702	Stark	330-477-3737	330-617-1025	Highway, Street, and Bridge Construction
							330-617-1027	330-617-1025	Highway, Street, and Bridge Construction
<b>Tom Mayle &amp; Sons Construction, Inc.</b>	<a href="mailto:mavleconstruction@hotmail.com">mavleconstruction@hotmail.com</a>	1635 State Route 550	Bartlett	OH	45713	Washington	740-551-2731	740-551-2305	Aggregate Bases; Application of Bituminous Treatments; Bridge Construction Level 1; Bridge Construction Level 2; Expansion & Contraction Joints, Joint Sealers, Bearing Devices; Flexible Paving; Miscellaneous Concrete
<b>Tri-State Concrete Construction, Inc.</b>	<a href="mailto:manisha@tri-statecc.com">manisha@tri-statecc.com</a>	9200 Montgomery Road	Cincinnati	OH	45242	Hamilton	513-984-3909	513-984-3914	Aggregate Bases; Bridge Construction Level 1; Bridge Construction Level 2; Bridge Structure Repairs; Expansion & Contraction Joints, Joint Sealers, Bearing Devices; Flexible Replacement; Miscellaneous Concrete; Rigid Pavement Replacement; Rigid Paving
<b>Twin Rivers Construction Company</b>	<a href="mailto:Jeanne@twinriversconstruction.com">Jeanne@twinriversconstruction.com</a>	1489 Masonic Park	Marietta	OH	45750	Washington	(740)525-1795	740-376-9875	Bridge Structure Repairs; Expansion & Contraction Joints, Joint Sealers, Bearing Devices; Rigid Pavement Replacement

Potentially Available SBEs for Participation Credit

# Ohio Turnpike and Infrastructure Commission

## 39-17-01

<b>Wm Rivers Construction Company</b>	<a href="http://www.wm-rivers.com">www.wm-rivers.com</a>	Road	Washington	OH	43070	Washington	740-373-3047	740-376-9875	Bridge Structure Repairs; Expansion & Contraction Joints, Joint Sealers, Bearing Devices; Rigid Pavement Replacement
<b>UNION INDUSTRIAL CONTRACTORS INC</b>	<a href="mailto:kimkidner@uiconsruction.com">kimkidner@uiconsruction.com</a>	P. O. Box 1718	Ashtabula	OH	440051718	Ashtabula	440-998-7871	<< NONE >>	Aggregate Bases; Application of Bituminous Treatments; Bridge Construction Level 1; Bridge Construction Level 2; Bridge Construction Level 3; Bridge Structure Repairs; Expansion & Contraction Joints, Joint Sealers, Bearing Devices; Flexible Paving; Flexible Replacement; Guardrail Construction; Highway Signing; Miscellaneous Concrete; Pavement Planing, Milling Scarification; Rigid Pavement Replacement; Rigid Paving; Traffic Stripes
<b>Vito Gironda Construction Company</b>	<a href="mailto:vgironda@vgconstruction.com">vgironda@vgconstruction.com</a>	1130 Britain Road	Akron	OH	44305	Summit	330-630-9399	<< NONE >>	Aggregate Bases; Expansion & Contraction Joints, Joint Sealers, Bearing Devices; Miscellaneous Concrete; Rigid Pavement Replacement; Rigid Paving
<b>Vixcon Co., LLC</b>	<a href="http://vixcon@live.com">vixcon@live.com</a>	1620 Chelonsford Road	Mayfield Heights	OH	44124	Cuyahoga	440-461-7202	440-461-7202	Highway, Street, and Bridge Construction
<b>Wood Fundi</b>	<a href="mailto:woodfundj@hotmail.com">woodfundj@hotmail.com</a>	3202 Colerain Avenue	Cincinnati	OH	45225	Hamilton	513-794-9668	513-794-1967	Highway, Street, and Bridge Construction
<b>Yoder Concrete Construction, LLC</b>	<a href="mailto:robertavoder@yoderconcrete.com">robertavoder@yoderconcrete.com</a>	8874 N. Us Hwy 68	West Liberty	OH	43357	Champaign	937-465-1500	937-465-1510	Highway, Street, and Bridge Construction
<b>sTi Construction, Inc.</b>	<a href="mailto:weslip@sbcglobal.net">weslip@sbcglobal.net</a>	3410 E. 7th Avenue	Columbus	OH	43219	Franklin	614-239-0913	614-239-1205	Highway, Street, and Bridge Construction
<b>American Roadway Logistics, Inc.</b>	<a href="mailto:hclaxton@arlinc.us">hclaxton@arlinc.us</a>	3920 Congress Parkway	Richfield	OH	44286	Summit	330-659-2013	(330)659-0200	All Other Support Services
<b>B.G. Trucking &amp; Construction, Inc.</b>	<a href="mailto:BERLEW128@AOL.COM">BERLEW128@AOL.COM</a>	11330 Market Street	North Lima	OH	44452	Mahoning	(330)620-8734	(234)759-3442	Flagging (i.e., traffic control) services
							234-759-3440	(234)759-3442	Flagging (i.e., traffic control) services
<b>BUDS, Inc.</b>	<a href="mailto:diane@budsinc04.com">diane@budsinc04.com</a>	6260 Newark Road	Nashport	OH	43830	Licking	740-297-8729	(740)297-8731	All Other Support Services
<b>Barbicas Construction Company</b>	<a href="mailto:carla.barbicas@barbicas.com">carla.barbicas@barbicas.com</a>	124 Darrow Road	Akron	OH	44305	Summit	3303522746	(330)733-9051	Flagging (i.e., traffic control) services
							330-733-9101	(330)733-9051	Flagging (i.e., traffic control) services
<b>Lionel Construction Company, Inc.</b>	<a href="mailto:slionel@rrohio.com">slionel@rrohio.com</a>	1233 Maple Avenue	Zanesville	OH	43701	Muskingum	740-453-7502	<< NONE >>	Flagging (i.e., traffic control) services
<b>S D TRAFFIC CONTROL LLC</b>	<a href="mailto:GENTIL55@YAHOO.COM">GENTIL55@YAHOO.COM</a>	7151 Twp Rd 87	Thornville	OH	43076	Perry	(740)684-1819	<< NONE >>	Flagging (i.e., traffic control) services
<b>Top Designer and Landscaping</b>	<a href="mailto:topdesignerlandscaping@gmail.com">topdesignerlandscaping@gmail.com</a>	1781 Idlehurst Drive	Euclid	OH	44117	Cuyahoga	(216)526-3543	<< NONE >>	Flagging (i.e., traffic control) services
							(216)990-4029	<< NONE >>	Flagging (i.e., traffic control) services
<b>Traffic Detectors &amp; Signs, Inc.</b>	<a href="mailto:LMMERIS@AOL.COM">LMMERIS@AOL.COM</a>	7521 Forest Hill	Youngstown	OH	44514	Mahoning	(330)718-8012	330-707-9066	Flagging (i.e., traffic control) services
							330-707-9060	330-707-9066	Flagging (i.e., traffic control) services
<b>True Inspection Services LLC</b>	<a href="mailto:Barry.Couts@TrueInspectionServices.com">Barry.Couts@TrueInspectionServices.com</a>	871 South Main Street	Urbana	OH	43078	Champaign	937-521-2645	937-579-4336	All Other Support Services

Ohio Turnpike and Infrastructure Commission  
39-17-01

Company Name	Address	City	State	Zip	County	Phone	Fax	Email	Nature of Business	Procurement	Business Type
Barbicas Construction Inc	124 Darrow Rd	Akron	OH	44305	Summit	330-733-9101	330-733-9051	<a href="mailto:carla.barbicas@barbicas.com">carla.barbicas@barbicas.com</a>	Services provided include: Asphalt and concrete paving of new and existing roadways, streets, and parking lots, installation of new pavement, maintenance of pavement by sealing, sealcoating, tack coating, resurfacing, pavement marking, striping and signage, includes earth moving, excavation, installation of bases, installing asphalt material and or concrete.	Construction	Construction (Asphalt and/or Concrete Paving)
COOK PAVING & CONSTRUCTION CO.,INC.	11360 Brookpark Road #212	Brooklyn	OH	44130	Cuyahoga	216-267-7705	216-267-7595	<a href="mailto:keith.rogers@cookpaving.com">keith.rogers@cookpaving.com</a>	General Contractor: Underground Utilities (Conduit Electrical/Phone, Manhole Placement Rebuild, Concrete Teleco Pad) Cable Placing, Cable Wrecking, Site Sewer/Water, Asphalt Pavement, Milling, Concrete Repair/Installation, Directional Boring, Material Wholesales, Equipment Rental, Road Sweeper, Trucking	Construction	Construction (Asphalt and/or Concrete Paving)
Eaton Construction Co., Inc.	P.O. Box 684	Circleville	OH	43113	Pickaway	740-474-3414	740-474-9616	<a href="mailto:debbie.eaton@frontier.com">debbie.eaton@frontier.com</a>	Heavy highway concrete sawing and sealing, Raised Pavement Markers (RPM), full depth sawing.	Construction	Construction (Highway/Bridge/Street)
Ladd Engineering, Inc.	2712 Star Lane	Wadsworth	OH	44281	Medina	330-336-8200		<a href="mailto:laurie@laddengineeringinc.com">laurie@laddengineeringinc.com</a>	Consulting civil engineering including site design, storm water management system design and permitting, utility design and permitting (sanitary, storm, water) parking lot design, pavement evaluation and design, retaining wall design, all other building site related issues.	Architecture and Engineering	Engineering Services (Civil/Structural/Mechanical/CAD/Drafting/Land Surveyor/Etc.)
Lanham Engineering LLC	2421 Reginald Ct	Powell	OH	43065	Franklin	614-216-0448			Traffic engineering consulting firm performing the following services: safety studies (Highway Safety Manual Methodology), intersection/corridor/transportation planning studies, interchange justification/modification studies, roundabout feasibility studies (including preliminary layout), IIS/IMS, traffic impact studies, signing & pavement marking design, and maintenance of traffic design.	Architecture and Engineering	Engineering Services (Civil/Structural/Mechanical/CAD/Drafting/Land Surveyor/Etc.)
WL MARKERS, INC.	2834 Fisher Road	Columbus	OH	43204	Franklin	614-279-2544	614-279-2544	<a href="mailto:swalters@wlmarkers.com">swalters@wlmarkers.com</a>	Heavy highway contractor specializing in raised pavement markers, lenses, rubble strip and crack seal.	Construction	Construction (Highway/Bridge/Street)

Potentially Available SBEs for Participation Credit



Ohio Turnpike and Infrastructure Commission  
39-17-01

Allstate Industrial Inc	5022 Lorain Avenue	Cleveland	OH	44102	Cuyahoga	216-939-8195	216-939-8201	<a href="mailto:allstateinc@sbcglobal.net">allstateinc@sbcglobal.net</a>	Distributor of PPE, such as hard hats, safety glasses, respirators, gloves; apparel, such as rainwear footwear, winter and regular work-wear; first aid items; hardware, such as measuring wheels, some tools; traffic control supplies, such as cones, rollup signs, safety fences; janitorial supplies such as mops, brooms, buckets; and paper products.	Goods and Services	Distributor and/or Supplier (Safety Supplies)
Denise's Flagging and Constuction Services Inc.	4541 st germain blvd	warrensville hts	OH	44128	Cuyahoga	216-403-2429	216-510-6727	<a href="mailto:denise-smith2158@sbcglobal.net">denise-smith2158@sbcglobal.net</a>	Provides: Flagging, traffic control, and security guards.	Construction	Construction (Flagging/Traffic Maintenance)
Interstate Safety & Service Co., Inc.	3566 E.55TH STREET	CLEVELAND	OH	44105	Cuyahoga	216-641-6776	216-641-8999	<a href="mailto:INTERSTATE1981@AOL.COM">INTERSTATE1981@AOL.COM</a>	Sale & rental of traffic control products, Rental of dump trucks, & Sale of aggregates.	Construction	Distributor and/or Supplier (Specialty Items)
R-Cap Security	7800 Superior Avenue	Cleveland	OH	44103	Cuyahoga	216-881-7743	216-761-6333	<a href="mailto:rcap217@aol.com">rcap217@aol.com</a>	Provider of: Uniformed Armed Security, Uniformed Law-Enforcement Officers, Parking Lot and Unarmed Security Officers, Traffic Control/Construction, and Detail Officers.	Professional Services	Security Services (Monitoring/ Armed/Unarmed Guards/Patrol/ Etc.)
Safe Choice LLC	11811 Shaker Blvd. Ste. 415	Cleveland	OH	44120	Cuyahoga	216-231-7233	216-452-9160	<a href="mailto:safechoice1@att.net.net">safechoice1@att.net.net</a>	Provides Security Services including: armed and unarmed security officers and police officers for all occasions including traffic control and bodyguard services.	Goods and Services	Security Services (Monitoring/ Armed/Unarmed Guards/Patrol/ Etc.)

**Contractor:** KOKOSING CONSTRUCTION CO., INC.  
 886 MCKINLEY AVE  
 COLUMBUS, OH 43222  
 614-228-1029

**Contract No.:** 39-13-01  
**Project No.:** 39-13-01  
**Estimate No.:** 17  
**Pay Period From:** 11/17/2013  
**Pay Period To:** 06/30/2014

Ref No.	Item No.	Contract Quantity	Unit	Item Description	Unit Price	Unit Price Labor	Unit Price Material	Change Order Quantity	Quantity Completed to Date	Amount Earned Labor	Amount Earned Material	Amount Earned to Date
<b>ROADWAY (Ref. Nos. 1 - 28)</b>												
1	201	1.00	LUMP	CLEARING AND GRUBBING	\$ 100,000.00	\$ 37,500.00	\$ 62,500.00		1.00 ✓	\$ 37,500.00	\$ 62,500.00	\$ 100,000.00 ✓
2	202	34.00	EACH	CATCH BASIN OR INLET REMOVED	\$ 250.00	\$ 112.00	\$ 138.00	8.00 ✓	42.00 ✓	\$ 4,704.00	\$ 5,796.00	\$ 10,500.00 ✓
3	202	1,878.00	FT	PIPE REMOVED	\$ 7.00	\$ 2.85	\$ 4.15	(316.00) ✓	1,562.00 ✓	\$ 4,451.70	\$ 6,482.30	\$ 10,934.00 ✓
4	202	8,748.00	FT	CURB REMOVED	\$ 1.00	\$ 0.25	\$ 0.75	285.10 ✓	9,033.10 ✓	\$ 2,258.28	\$ 6,774.82	\$ 9,033.10 ✓
5	202	10,738.00	FT	GUARDRAIL REMOVED	\$ 1.00	\$ 1.00	\$ -	486.10 ✓	11,224.10 ✓	\$ 11,224.10	\$ -	\$ 11,224.10 ✓
6	202	5,019.00	FT	GUARDRAIL REMOVED FOR SALVAGE, AS PER PLAN	\$ 1.40	\$ 1.40	\$ -	(473.75) ✓	4,545.25 ✓	\$ 6,363.35	\$ -	\$ 6,363.35 ✓
7	202	947.00	SQ YD	APPROACH SLAB REMOVED	\$ 15.00	\$ 2.50	\$ 12.50	(22.00) ✓	925.00 ✓	\$ 2,312.50	\$ 11,562.50	\$ 13,875.00 ✓
8	202	341.00	FT	CONCRETE BARRIER REMOVED	\$ 15.00	\$ 5.50	\$ 9.50	51.50 ✓	392.50 ✓	\$ 2,158.75	\$ 3,728.75	\$ 5,887.50 ✓
9	202	108,850.00	SQ YD	PAVEMENT REMOVED	\$ 6.00	\$ 1.25	\$ 4.75		108,850.00 ✓	\$ 136,062.50	\$ 517,037.50	\$ 653,100.00 ✓
10	203	23,546.00	CU YD	EXCAVATION	\$ 20.00	\$ 7.75	\$ 12.25	5,611.00 ✓	29,157.00 ✓	\$ 225,966.75	\$ 357,173.25	\$ 583,140.00 ✓
11	203	30,525.00	CU YD	EXCAVATION INCLUDING EMBANKMENT, AS PER PLAN	\$ 14.00	\$ 7.50	\$ 6.50	(13,320.00) ✓	17,205.00 ✓	\$ 129,037.50	\$ 111,832.50	\$ 240,870.00 ✓
12	204	954.00	SQ YD	SUBGRADE COMPACTION	\$ 3.25	\$ 2.15	\$ 1.10	(53.00) ✓	901.00 ✓	\$ 1,937.15	\$ 991.10	\$ 2,928.25 ✓
13	209	6,875.00	FT	DITCH CLEANOUT	\$ 4.50	\$ 2.25	\$ 2.25	(1,891.00) ✓	4,984.00 ✓	\$ 11,214.00	\$ 11,214.00	\$ 22,428.00 ✓
14	254	67,218.00	SQ YD	PAVEMENT PLANING, ASPHALT CONCRETE	\$ 1.40	\$ 0.35	\$ 1.05	3,738.42 ✓	70,956.42 ✓	\$ 24,834.75	\$ 74,504.24	\$ 99,338.99 ✓
15	254	3,980.00	SQ YD	PAVEMENT PLANING, ASPHALT CONCRETE (VARIABLE DEPTH)	\$ 3.80	\$ 0.65	\$ 3.15		3,980.00 ✓	\$ 2,587.00	\$ 12,537.00	\$ 15,124.00 ✓
16	SP519	10.00	SQ FT	PATCHING CONCRETE STRUCTURES	\$ 200.00	\$ 150.00	\$ 50.00	37.00 ✓	47.00 ✓	\$ 7,050.00	\$ 2,350.00	\$ 9,400.00 ✓
17	SP526	947.00	SQ YD	CLASS C CONCRETE, APPROACH SLAB, USING TYPE I CEMENT (T=12")	\$ 135.00	\$ 43.00	\$ 92.00	(46.00) ✓	901.00 ✓	\$ 38,743.00	\$ 82,892.00	\$ 121,635.00 ✓
18	SP536A	425.00	SQ YD	MASONRY COATING	\$ 14.00	\$ 6.50	\$ 7.50	(130.94) ✓	294.06 ✓	\$ 1,911.39	\$ 2,205.45	\$ 4,116.84 ✓
19	606	17,175.00	FT	GUARDRAIL, TYPE 5, USING STEEL POSTS	\$ 14.92	\$ 4.40	\$ 10.52	87.50 ✓	17,262.50 ✓	\$ 75,955.00	\$ 181,601.50	\$ 257,556.50 ✓
20	606	8.00	EACH	ANCHOR ASSEMBLY, TYPE T, USING STEEL POSTS	\$ 675.00	\$ 300.00	\$ 375.00	1.00 ✓	9.00 ✓	\$ 2,700.00	\$ 3,375.00	\$ 6,075.00 ✓
21	606	15.00	EACH	BRIDGE TERMINAL ASSEMBLY, TYPE 1, USING STEEL POSTS	\$ 1,920.00	\$ 620.00	\$ 1,300.00		15.00 ✓	\$ 9,300.00	\$ 19,500.00	\$ 28,800.00 ✓
22	606	12.00	EACH	BRIDGE TERMINAL ASSEMBLY, TYPE 2, USING STEEL POSTS	\$ 430.00	\$ 185.00	\$ 245.00	1.00 ✓	13.00 ✓	\$ 2,405.00	\$ 3,185.00	\$ 5,590.00 ✓
23	SP606E	10.00	EACH	ANCHOR ASSEMBLY, TYPE E (ET-2000PLUS), AS PER PLAN	\$ 2,225.00	\$ 500.00	\$ 1,725.00		10.00 ✓	\$ 5,000.00	\$ 17,250.00	\$ 22,250.00 ✓
24	609	8,653.00	FT	ASPHALT CONCRETE CURB, TYPE 1, PG64-22	\$ 5.00	\$ 1.40	\$ 3.60	518.00 ✓	9,171.00 ✓	\$ 12,839.40	\$ 33,015.60	\$ 45,855.00 ✓
25	622	486.00	FT	CONCRETE BARRIER, TYPE D, AS PER PLAN	\$ 160.00	\$ 95.50	\$ 64.50		486.00 ✓	\$ 46,413.00	\$ 31,347.00	\$ 77,760.00 ✓
26	626	191.00	EACH	BARRIER REFLECTOR, TYPE A	\$ 6.40	\$ 2.50	\$ 3.90	(11.00) ✓	180.00 ✓	\$ 450.00	\$ 702.00	\$ 1,152.00 ✓
27	626	8.00	EACH	BARRIER REFLECTOR, TYPE B	\$ 6.50	\$ 2.75	\$ 3.75	14.00 ✓	22.00 ✓	\$ 60.50	\$ 82.50	\$ 143.00 ✓
28	SPECIAL	2,000.00	CU YD	LIMESTONE SAND	\$ 35.00	\$ 4.25	\$ 30.75	(2,000.00) ✓	0.00 ✓	\$ -	\$ -	\$ -
<b>EROSION CONTROL (Ref. Nos. 29 - 41)</b>												
29	207	29,272.00	FT	PERIMETER FILTER FABRIC FENCE	\$ 2.00	\$ 1.45	\$ 0.55	(5,390.00) ✓	23,882.00 ✓	\$ 34,628.90	\$ 13,135.10	\$ 47,764.00 ✓
30	207	1,200.00	FT	FILTER FABRIC DITCH CHECK	\$ 5.00	\$ 3.80	\$ 1.20	(518.00) ✓	682.00 ✓	\$ 2,591.60	\$ 818.40	\$ 3,410.00 ✓
31	651	1,372.00	CU YD	TOPSOIL STOCKPILED	\$ 2.75	\$ 1.40	\$ 1.35	(1,128.72) ✓	243.28 ✓	\$ 340.59	\$ 328.43	\$ 669.02 ✓
32	652	1,372.00	CU YD	PLACING STOCKPILED TOPSOIL	\$ 4.25	\$ 2.85	\$ 1.40	(1,372.00) ✓	0.00 ✓	\$ -	\$ -	\$ -

Ohio Turnpike Commission  
 Estimate For Payment  
 Date Prepared: 07/01/2014

WESTBOUND RIGHT TWO (2) LANES AND SHOULDER RECONSTRUCTION  
 MILEPOST 90.0 TO MILEPOST 95.90  
 LOCATED IN SANDUSKY COUNTY  
 Award Amount \$16,083,160.20

**Contractor:** KOKOSING CONSTRUCTION CO., INC.  
 886 MCKINLEY AVE  
 COLUMBUS, OH 43222  
 614-228-1029

**Contract No.:** 39-13-01  
**Project No.:** 39-13-01  
**Estimate No.:** 17  
**Pay Period From:** 11/17/2013  
**Pay Period To:** 06/30/2014

Ref No.	Item No.	Contract Quantity	Unit	Item Description	Unit Price	Unit Price Labor	Unit Price Material	Change Order Quantity	Quantity Completed to Date	Amount Earned Labor	Amount Earned Material	Amount Earned to Date
33	659	6.00	EACH	SOIL ANALYSIS TEST	\$ 25.00	\$ 7.50	\$ 17.50		6.00	\$ 45.00	\$ 105.00	\$ 150.00
34	659	7,717.00	CU YD	TOPSOIL	\$ 3.25	\$ 1.50	\$ 1.75	(7,717.00)	0.00	\$ -	\$ -	\$ -
35	659	69,516.00	SQ YD	SEEDING AND MULCHING	\$ 0.35	\$ 0.25	\$ 0.10		69,516.00	\$ 17,379.00	\$ 6,951.60	\$ 24,330.60
36	659	3,476.00	SQ YD	REPAIR SEEDING AND MULCHING	\$ 0.28	\$ 0.20	\$ 0.08	(3,476.00)	0.00	\$ -	\$ -	\$ -
37	659	3,476.00	SQ YD	INTER-SEEDING	\$ 0.22	\$ 0.05	\$ 0.17	(3,476.00)	0.00	\$ -	\$ -	\$ -
38	659	9.39	TON	COMMERCIAL FERTILIZER	\$ 500.00	\$ 125.00	\$ 375.00		9.39	\$ 1,173.75	\$ 3,521.25	\$ 4,695.00
39	659	14.37	ACRE	LIME	\$ 1.00	\$ 0.40	\$ 0.60	(14.37)	0.00	\$ -	\$ -	\$ -
40	659	375.00	M GAL	WATER	\$ 1.00	\$ 0.50	\$ 0.50	(375.00)	0.00	\$ -	\$ -	\$ -
41	832	1.00	LUMP	EROSION CONTROL	\$ 10,000.00	\$ 5,100.00	\$ 4,900.00		1.00	\$ 5,100.00	\$ 4,900.00	\$ 10,000.00
				<b><u>DRAINAGE (Ref. Nos. 42 - 62)</u></b>								
42	601	51.00	CU YD	ROCK CHANNEL PROTECTION, TYPE C WITH FILTER	\$ 140.00	\$ 41.50	\$ 98.50	25.53	76.53	\$ 3,176.00	\$ 7,538.20	\$ 10,714.20
43	603	1,176.00	FT	6" CONDUIT, TYPE F, 707.41 NON-PERFORATED ASTM D3034 (SDR 35) 707.42 OR 707.33	\$ 20.00	\$ 9.55	\$ 10.45	678.00	1,854.00	\$ 17,705.70	\$ 19,374.30	\$ 37,080.00
44	603	10.00	FT	8" CONDUIT, TYPE C, 707.33	\$ 30.00	\$ 8.25	\$ 21.75	(10.00)	0.00	\$ -	\$ -	\$ -
45	603	1,756.00	FT	12" CONDUIT, TYPE F, 707.33	\$ 32.00	\$ 12.65	\$ 19.35	(424.00)	1,332.00	\$ 16,849.80	\$ 25,774.20	\$ 42,624.00
46	603	66.00	FT	15" CONDUIT, TYPE C, 706.02	\$ 73.00	\$ 22.50	\$ 50.50	(60.00)	6.00	\$ 135.00	\$ 303.00	\$ 438.00
47	603	20.00	FT	18" CONDUIT, TYPE C, 707.33	\$ 96.00	\$ 28.00	\$ 68.00	(20.00)	0.00	\$ -	\$ -	\$ -
48	603	20.00	FT	30" CONDUIT, TYPE C, 707.33	\$ 143.00	\$ 33.65	\$ 109.35	(20.00)	0.00	\$ -	\$ -	\$ -
49	604	5.00	EACH	CATCH BASIN ADJUSTED TO GRADE, AS PER PLAN	\$ 800.00	\$ 507.50	\$ 292.50	(5.00)	0.00	\$ -	\$ -	\$ -
50	604	5.00	EACH	CATCH BASIN ADJUSTED TO GRADE, GREATER THAN 12', AS PER PLAN	\$ 1,000.00	\$ 607.50	\$ 392.50	(5.00)	0.00	\$ -	\$ -	\$ -
51	604	5.00	EACH	CATCH BASIN GRATE AND CASTING, AS PER PLAN	\$ 500.00	\$ 53.50	\$ 446.50	(5.00)	0.00	\$ -	\$ -	\$ -
52	SP604	34.00	EACH	CATCH BASIN, NO. CB-1	\$ 2,200.00	\$ 769.70	\$ 1,430.30	9.00	43.00	\$ 33,097.10	\$ 61,502.90	\$ 94,600.00
53	SP605	531.00	CU YD	AGGREGATE DRAIN, AS PER PLAN	\$ 100.00	\$ 24.50	\$ 75.50	(531.00)	0.00	\$ -	\$ -	\$ -
54	SP605	27,989.00	FT	6" BASE PIPE UNDERDRAIN, WITH FABRIC WRAP	\$ 5.00	\$ 0.80	\$ 4.20	252.00	28,241.00	\$ 22,592.80	\$ 118,612.20	\$ 141,205.00
55	SP605	28,139.00	FT	6" SHALLOW PIPE UNDERDRAIN, WITH FABRIC WRAP	\$ 5.50	\$ 0.90	\$ 4.60	1,054.00	29,193.00	\$ 26,273.70	\$ 134,287.80	\$ 160,561.50
56	SP605	941.00	FT	6" UNCLASSIFIED PIPE UNDERDRAIN, WITH FABRIC WRAP	\$ 11.00	\$ 4.90	\$ 6.10	(941.00)	0.00	\$ -	\$ -	\$ -
57	SPECIAL	41.00	EACH	PRECAST REINFORCED CONCRETE OUTLET	\$ 200.00	\$ 82.25	\$ 117.75		41.00	\$ 3,372.25	\$ 4,827.75	\$ 8,200.00
58	SPECIAL	33.00	EACH	12" PRECAST CONCRETE END SECTION	\$ 1,100.00	\$ 336.35	\$ 763.65	6.00	39.00	\$ 13,117.65	\$ 29,782.35	\$ 42,900.00
59	SPECIAL	2.00	EACH	15" PRECAST CONCRETE END SECTION	\$ 1,150.00	\$ 336.35	\$ 813.65		2.00	\$ 672.70	\$ 1,627.30	\$ 2,300.00
60	SPECIAL	1.00	EACH	18" PRECAST CONCRETE END SECTION	\$ 1,250.00	\$ 336.35	\$ 913.65	1.00	2.00	\$ 672.70	\$ 1,827.30	\$ 2,500.00
61	SPECIAL	1.00	EACH	30" PRECAST CONCRETE END SECTION	\$ 1,700.00	\$ 448.50	\$ 1,251.50		1.00	\$ 448.50	\$ 1,251.50	\$ 1,700.00
62	SPECIAL	1.00	EACH	DRAINAGE GATE FOR 16' X 6' BOX CULVERT	\$ 3,500.00	\$ 2,040.00	\$ 1,460.00	(1.00)	0.00	\$ -	\$ -	\$ -
				<b><u>PAVEMENT (Ref. Nos. 63 - 90)</u></b>								
63	206	115,106.00	SQ YD	LIME-KILN DUST MODIFIED SOIL SUBGRADE, 16 INCHES DEEP, AS PER PLAN	\$ 1.80	\$ 0.35	\$ 1.45	(1,064.09)	114,041.91	\$ 39,914.67	\$ 165,360.77	\$ 205,275.44

Ohio Turnpike Commission  
 Estimate For Payment  
 Date Prepared: 07/01/2014

WESTBOUND RIGHT TWO (2) LANES AND SHOULDER RECONSTRUCTION  
 MILEPOST 90.0 TO MILEPOST 95.90  
 LOCATED IN SANDUSKY COUNTY  
 Award Amount \$16,083,160.20

**Contractor:** KOKOSING CONSTRUCTION CO., INC.  
 886 MCKINLEY AVE  
 COLUMBUS, OH 43222  
 614-228-1029

**Contract No.:** 39-13-01  
**Project No.:** 39-13-01  
**Estimate No.:** 17  
**Pay Period From:** 11/17/2013  
**Pay Period To:** 06/30/2014

Ref No.	Item No.	Contract Quantity	Unit	Item Description	Unit Price	Unit Price Labor	Unit Price Material	Change Order Quantity	Quantity Completed to Date	Amount Earned Labor	Amount Earned Material	Amount Earned to Date
64	206	115,106.00	SQ YD	CEMENT STABILIZED SUBGRADE, 16 INCHES DEEP, AS PER PLAN	\$ 1.90	\$ 0.35	\$ 1.55	(1,064.09)✓	114,041.91✓	\$ 39,914.67	\$ 176,764.96	\$ 216,679.63✓
65	206	3,039.00	TON	LIME-KILN DUST	\$ 42.00	\$ -	\$ 42.00	216.34✓	3,255.34✓	\$ -	\$ 136,724.28	\$ 136,724.28✓
66	206	4,558.00	TON	CEMENT	\$ 102.00	\$ -	\$ 102.00	(40.46)✓	4,517.54✓	\$ -	\$ 460,789.08	\$ 460,789.08✓
67	206	1.70	M GAL	WATER FOR CURING	\$ 50.00	\$ 20.00	\$ 30.00	11.30✓	13.00✓	\$ 260.00	\$ 390.00	\$ 650.00✓
68	206	39.00	HOUR	TEST ROLLING	\$ 150.00	\$ 59.80	\$ 90.20	(29.50)✓	9.50✓	\$ 568.10	\$ 856.90	\$ 1,425.00✓
69	251	1,500.00	SQ YD	PARTIAL DEPTH PAVEMENT REPAIR	\$ 30.00	\$ 11.50	\$ 18.50	(1,153.35)✓	346.65✓	\$ 3,986.48	\$ 6,413.02	\$ 10,399.50✓
70	252	28,968.00	FT	FULL DEPTH PAVEMENT SAWING	\$ 1.00	\$ 0.85	\$ 0.15		28,968.00✓	\$ 24,622.80	\$ 4,345.20	\$ 28,968.00✓
71	255	1,500.00	SQ YD	FULL DEPTH PAVEMENT REMOVAL AND RIGID REPLACEMENT	\$ 80.00	\$ 15.25	\$ 64.75	(1,136.10)✓	363.90✓	\$ 5,549.48	\$ 23,562.52	\$ 29,112.00✓
72	255	1,300.00	FT	FULL DEPTH PAVEMENT SAWING	\$ 2.05	\$ 1.70	\$ 0.35	314.00✓	1,614.00✓	\$ 2,743.80	\$ 564.90	\$ 3,308.70✓
73	SP304	16,997.00	CU YD	AGGREGATE BASE	\$ 39.00	\$ 5.40	\$ 33.60	1,529.77✓	18,526.77✓	\$ 100,044.56	\$ 622,499.47	\$ 722,544.03✓
74	SP304	0.00	CU YD	AGGREGATE BASE	\$ 39.00	\$ -	\$ 39.00		0.00✓	\$ -	\$ -	\$ -
75	305	0.00	SQ YD	CONCRETE BASE (T=12")	\$ 42.00	\$ -	\$ 42.00		0.00✓	\$ -	\$ -	\$ -
76	SP402	1,329.00	CU YD	ASPHALT CONC. BASE COURSE OR RECYCLED ASPHALT CONC. BASE COURSE, PG64-22	\$ 120.00	\$ 11.95	\$ 108.05	266.85✓	1,595.85✓	\$ 19,070.41	\$ 172,431.59	\$ 191,502.00✓
77	SP402	4,555.00	CU YD	ASPHALT CONC. BASE COURSE OR RECYCLED ASPHALT CONC. BASE COURSE, PG70-22 (FR)	\$ 140.00	\$ 10.20	\$ 129.80	121.73✓	4,676.73✓	\$ 47,702.65	\$ 607,039.55	\$ 654,742.20✓
78	SP404	1,139.00	CU YD	ASPHALT CONCRETE SURFACE COURSE, USING CRUSHED STONE, PG64-22	\$ 155.00	\$ 15.10	\$ 139.90	100.09✓	1,239.09✓	\$ 18,710.26	\$ 173,348.69	\$ 192,058.95✓
79	SP404	7,475.00	CU YD	ASPHALT CONCRETE SURFACE COURSE, USING CRUSHED SLAG, PG70-22 (FR)	\$ 185.00	\$ 14.15	\$ 170.85	300.13✓	6,775.13✓	\$ 95,868.09	\$ 1,157,530.96	\$ 1,253,399.05✓
80	SP404A	53,814.00	FT	JOINT SEALER	\$ 0.40	\$ 0.15	\$ 0.25		53,814.00✓	\$ 8,072.10	\$ 13,453.50	\$ 21,525.60✓
81	SP407	10,813.00	GALLON	TACK COAT FOR INTERMEDIATE COURSE, AS PER PLAN	\$ 4.00	\$ 0.20	\$ 3.80	(440.00)✓	10,373.00✓	\$ 2,074.60	\$ 39,417.40	\$ 41,492.00✓
82	SP407	8,493.00	GALLON	TACK COAT, AS PER PLAN	\$ 4.00	\$ 0.20	\$ 3.80	(1,354.00)✓	7,139.00✓	\$ 1,427.80	\$ 27,128.20	\$ 28,556.00✓
83	SPECIAL	0.00	SQ YD	ROLLER COMPACTED CONCRETE, 9"	\$ 29.65	\$ -	\$ 29.65		0.00✓	\$ -	\$ -	\$ -
84	617	11,026.00	SQ YD	SHOULDER PREPARATION	\$ 2.00	\$ 1.45	\$ 0.55		11,026.00✓	\$ 15,987.70	\$ 6,064.30	\$ 22,052.00✓
85	617	391.00	CU YD	COMPACTED AGGREGATE	\$ 40.00	\$ 8.25	\$ 31.75	(43.98)✓	347.02✓	\$ 2,862.92	\$ 11,017.88	\$ 13,880.80✓
86	SP627	1,002.00	TON	STONE SHOULDER PROTECTION	\$ 30.00	\$ 6.05	\$ 23.95	(37.46)✓	964.54✓	\$ 5,835.47	\$ 23,100.73	\$ 28,936.20✓
87	SPECIAL	7,959.00	SQ YD	ASPHALT PAVEMENT REINFORCEMENT	\$ 15.00	\$ 1.60	\$ 13.40	(407.16)✓	7,551.84✓	\$ 12,082.94	\$ 101,194.66	\$ 113,277.60✓
88	SPECIAL	927.00	FT	PRESSURE RELIEF JOINT, TYPE A	\$ 90.00	\$ 60.00	\$ 30.00		927.00✓	\$ 55,620.00	\$ 27,810.00	\$ 83,430.00✓
89	SPECIAL	5.38	MILE	SONIC NAP ALERT PATTERN (SNAP)	\$ 760.00	\$ 76.00	\$ 684.00		5.38✓	\$ 408.88	\$ 3,679.92	\$ 4,088.80✓
90	SPECIAL	86,156.00	FT	SAW CUT JOINT	\$ 0.30	\$ 0.20	\$ 0.10		86,156.00✓	\$ 17,231.20	\$ 8,615.60	\$ 25,846.80✓
<b>BRIDGE MAINTENANCE - LITTLE MUDDY CREEK MP 90.2 (Ref. Nos. 91 - 107)</b>												
91	SP 202	1.00	LUMP	PORTIONS OF STRUCTURE REMOVED	\$ 40,000.00	\$ 28,000.00	\$ 12,000.00		1.00✓	\$ 28,000.00	\$ 12,000.00	\$ 40,000.00✓
92	509	100.00	POUND	EPOXY COATED REINFORCING STEEL, AS PER PLAN	\$ 3.50	\$ 0.05	\$ 3.45	150.44✓	250.44✓	\$ 12.52	\$ 864.02	\$ 876.54✓
93	SP511A	5.00	CU. YD.	CLASS S CONCRETE, SUPERSTRUCTURE DECK SLAB, USING SHRINKAGE COMPENSATING CEMENT	\$ 1,500.00	\$ 1,250.00	\$ 250.00	1.28✓	6.28✓	\$ 7,850.00	\$ 1,570.00	\$ 9,420.00✓

Ohio Turnpike Commission  
 Estimate For Payment  
 Date Prepared: 07/01/2014

WESTBOUND RIGHT TWO (2) LANES AND SHOULDER RECONSTRUCTION  
 MILEPOST 90.0 TO MILEPOST 95.90  
 LOCATED IN SANDUSKY COUNTY  
 Award Amount \$16,083,160.20

**Contractor:** KOKOSING CONSTRUCTION CO., INC.  
 886 MCKINLEY AVE  
 COLUMBUS, OH 43222  
 614-228-1029

**Contract No.:** 39-13-01  
**Project No.:** 39-13-01  
**Estimate No.:** 17  
**Pay Period From:** 11/17/2013  
**Pay Period To:** 06/30/2014

Ref No.	Item No.	Contract Quantity	Unit	Item Description	Unit Price	Unit Price Labor	Unit Price Material	Change Order Quantity	Quantity Completed to Date	Amount Earned Labor	Amount Earned Material	Amount Earned to Date
94	SP511A	5.00	CU. YD.	CLASS S CONCRETE, ABUTMENT SLABS, USING SHRINKAGE COMPENSATING CEMENT	\$ 800.00	\$ 375.00	\$ 425.00	0.90 ✓	5.90 ✓	\$ 2,212.50	\$ 2,507.50	\$ 4,720.00 ✓
95	SP511A	2.00	CU. YD.	CLASS S CONCRETE, USING SHRINKAGE COMPENSATING CEMENT, FOR PRE-PLACEMENT TESTING	\$ 250.00	\$ 155.00	\$ 95.00	(2.00) ✓	0.00 ✓	\$ -	\$ -	\$ -
96	SP511A	1.00	CU. YD.	CLASS S CONCRETE, BARRIERS AND PARAPETS, USING TYPE I CEMENT	\$ 2,000.00	\$ 1,250.00	\$ 750.00	(0.32) ✓	0.68 ✓	\$ 850.00	\$ 510.00	\$ 1,360.00 ✓
97	512	805.00	SQ. YD.	SEALING CONCRETE BRIDGE DECKS WITH HMWM RESIN	\$ 13.50	\$ 2.50	\$ 11.00		805.00 ✓	\$ 2,012.50	\$ 8,855.00	\$ 10,867.50 ✓
98	513	10.00	EACH	WELDED STUD SHEAR CONNECTORS, AS PER PLAN	\$ 10.00	\$ 6.75	\$ 3.25	6.00 ✓	16.00 ✓	\$ 108.00	\$ 52.00	\$ 160.00 ✓
99	SP519	150.00	SQ. FT.	PATCHING CONCRETE STRUCTURES	\$ 75.00	\$ 25.00	\$ 50.00	132.00 ✓	282.00 ✓	\$ 7,050.00	\$ 14,100.00	\$ 21,150.00 ✓
100	SP527	1.00	LUMP	FALSEWORK, TEMPORARY BRACING AND PROTECTIVE STRUCTURES	\$ 250.00	\$ 100.00	\$ 150.00		1.00 ✓	\$ 100.00	\$ 150.00	\$ 250.00 ✓
101	SP533F	33.00	FT.	REPLACEMENT OF COMPRESSION SEAL WITH CONTINUOUS ELASTOMER SEAL	\$ 40.00	\$ 30.00	\$ 10.00	(1.00) ✓	32.00 ✓	\$ 960.00	\$ 320.00	\$ 1,280.00 ✓
102	SP533G	33.00	FT.	REPLACEMENT OF STRIP SEAL WITH CONTINUOUS ELASTOMER SEAL	\$ 82.00	\$ 49.50	\$ 32.50	(1.00) ✓	32.00 ✓	\$ 1,584.00	\$ 1,040.00	\$ 2,624.00 ✓
103	SP533H	96.00	FT.	CONTINUOUS ELASTOMER SEAL IN STRUCTURAL STEEL JOINT	\$ 320.00	\$ 59.00	\$ 261.00		96.00 ✓	\$ 5,664.00	\$ 25,056.00	\$ 30,720.00 ✓
104	SP536	184.00	SQ. YD.	CONCRETE WEATHERPROOFING, PARAPETS	\$ 10.00	\$ 6.00	\$ 4.00		184.00 ✓	\$ 1,104.00	\$ 736.00	\$ 1,840.00 ✓
105	SP536	293.00	SQ. YD.	CONCRETE WEATHERPROOFING, DECK, ABUTMENT SLABS AND APPROACH SLABS	\$ 10.00	\$ 7.00	\$ 3.00		293.00 ✓	\$ 2,051.00	\$ 879.00	\$ 2,930.00 ✓
106	SP536	705.00	SQ. YD.	CONCRETE WEATHERPROOFING, SUBSTRUCTURE	\$ 10.00	\$ 7.50	\$ 2.50		705.00 ✓	\$ 5,287.50	\$ 1,762.50	\$ 7,050.00 ✓
107	SPECIAL	6.00	SQ. YD.	PATCHING CONCRETE BRIDGE DECKS, TYPE B	\$ 300.00	\$ 60.25	\$ 239.75	(4.00) ✓	2.00 ✓	\$ 120.50	\$ 479.50	\$ 600.00 ✓
				<b>BRIDGE MAINTENANCE - S. R. 19 MP 90.3 (Ref. Nos. 108 - 126)</b>								
108	SP 202	1.00	LUMP	PORTIONS OF STRUCTURE REMOVED	\$ 15,000.00	\$ 9,800.00	\$ 5,200.00		1.00 ✓	\$ 9,800.00	\$ 5,200.00	\$ 15,000.00 ✓
109	203	10.00	CU. YD.	GRANULAR EMBANKMENT, AS PER PLAN	\$ 300.00	\$ 131.50	\$ 168.50	(10.00) ✓	0.00 ✓	\$ -	\$ -	\$ -
110	509	100.00	POUND	EPOXY COATED REINFORCING STEEL, AS PER PLAN	\$ 3.50	\$ 0.05	\$ 3.45		100.00 ✓	\$ 5.00	\$ 345.00	\$ 350.00 ✓
111	SP511A	2.00	CU. YD.	CLASS S CONCRETE, SUPERSTRUCTURE DECK SLAB, USING SHRINKAGE COMPENSATING CEMENT	\$ 1,200.00	\$ 450.00	\$ 750.00	(0.01) ✓	1.99 ✓	\$ 895.50	\$ 1,492.50	\$ 2,388.00 ✓
112	SP511A	2.00	CU. YD.	CLASS S CONCRETE, ABUTMENT SLABS, USING SHRINKAGE COMPENSATING CEMENT	\$ 800.00	\$ 400.00	\$ 400.00	0.52 ✓	2.52 ✓	\$ 1,008.00	\$ 1,008.00	\$ 2,016.00 ✓
113	SP511A	2.00	CU. YD.	CLASS S CONCRETE, USING SHRINKAGE COMPENSATING CEMENT, FOR PRE-PLACEMENT TESTING	\$ 250.00	\$ 153.00	\$ 97.00	(2.00) ✓	0.00 ✓	\$ -	\$ -	\$ -
114	SP511A	1.40	CU. YD.	CLASS S CONCRETE, BARRIERS AND PARAPETS, USING TYPE I CEMENT	\$ 2,000.00	\$ 1,250.00	\$ 750.00	(0.54) ✓	0.86 ✓	\$ 1,075.00	\$ 645.00	\$ 1,720.00 ✓

**Contractor:** KOKOSING CONSTRUCTION CO., INC.  
 886 MCKINLEY AVE  
 COLUMBUS, OH 43222  
 614-228-1029

**Contract No.:** 39-13-01  
**Project No.:** 39-13-01  
**Estimate No.:** 17  
**Pay Period From:** 11/17/2013  
**Pay Period To:** 06/30/2014

Ref No.	Item No.	Contract Quantity	Unit	Item Description	Unit Price	Unit Price Labor	Unit Price Material	Change Order Quantity	Quantity Completed to Date	Amount Earned Labor	Amount Earned Material	Amount Earned to Date
115	512	812.00	SQ. YD.	SEALING CONCRETE BRIDGE DECKS WITH HMWM RESIN	\$ 13.50	\$ 2.50	\$ 11.00		812.00 ✓	\$ 2,030.00	\$ 8,932.00	\$ 10,962.00
116	513	10.00	EACH	WELDED STUD SHEAR CONNECTORS, AS PER PLAN	\$ 10.00	\$ 6.75	\$ 3.25	(4.00) ✓	6.00 ✓	\$ 40.50	\$ 19.50	\$ 60.00
117	SP516G	18.00	EACH	REPLACE EXPANSION BEARING DEVICE	\$ 2,200.00	\$ 460.50	\$ 1,739.50		18.00 ✓	\$ 8,289.00	\$ 31,311.00	\$ 39,600.00
118	SP519	50.00	SQ. FT.	PATCHING CONCRETE STRUCTURES	\$ 150.00	\$ 50.00	\$ 100.00	(50.00) ✓	0.00 ✓	\$ -	\$ -	\$ -
119	SP527	1.00	LUMP	FALSEWORK, TEMPORARY BRACING AND PROTECTIVE STRUCTURES	\$ 2,500.00	\$ 1,600.00	\$ 900.00		1.00 ✓	\$ 1,600.00	\$ 900.00	\$ 2,500.00
120	SP533G	92.00	FT.	REPLACEMENT OF STRIP SEAL WITH CONTINUOUS ELASTOMER SEAL	\$ 90.00	\$ 51.00	\$ 39.00		92.00 ✓	\$ 4,692.00	\$ 3,588.00	\$ 8,280.00
121	SP533H	39.00	FT.	CONTINUOUS ELASTOMER SEAL IN STRUCTURAL STEEL JOINT	\$ 415.00	\$ 95.25	\$ 319.75	0.50 ✓	39.50 ✓	\$ 3,762.38	\$ 12,630.12	\$ 16,392.50
122	SP536	187.00	SQ. YD.	CONCRETE WEATHERPROOFING, PARAPETS	\$ 10.00	\$ 6.00	\$ 4.00		187.00 ✓	\$ 1,122.00	\$ 748.00	\$ 1,870.00
123	SP536	271.00	SQ. YD.	CONCRETE WEATHERPROOFING, DECK, ABUTMENT SLABS AND APPROACH SLABS	\$ 10.00	\$ 7.00	\$ 3.00		271.00 ✓	\$ 1,897.00	\$ 813.00	\$ 2,710.00
124	SP536	1,005.00	SQ. YD.	CONCRETE WEATHERPROOFING, SUBSTRUCTURE	\$ 10.00	\$ 7.50	\$ 2.50		1,005.00 ✓	\$ 7,537.50	\$ 2,512.50	\$ 10,050.00
125	SPECIAL	6.00	SQ. YD.	PATCHING CONCRETE BRIDGE DECKS, TYPE B	\$ 300.00	\$ 60.25	\$ 239.75	(6.00) ✓	0.00	\$ -	\$ -	\$ -
126	SPECIAL	6.00	EACH	REPOSITION ELASTOMERIC EXPANSION BEARING INCLUDING MASONRY PLATE	\$ 350.00	\$ 263.00	\$ 87.00		6.00 ✓	\$ 1,578.00	\$ 522.00	\$ 2,100.00
<b>BRIDGE MAINTENANCE - NS RR MP 90.7 (Ref. Nos. 127 - 149)</b>												
127	SP 202	1.00	LUMP	PORTIONS OF STRUCTURE REMOVED	\$ 75,000.00	\$ 62,500.00	\$ 12,500.00		0.00	\$ -	\$ -	\$ -
128	509	100.00	POUND	EPOXY COATED REINFORCING STEEL, AS PER PLAN	\$ 3.50	\$ 0.05	\$ 3.45		0.00	\$ -	\$ -	\$ -
129	SP511A	14.00	CU. YD.	CLASS S CONCRETE, SUPERSTRUCTURE DECK SLAB, USING SHRINKAGE COMPENSATING CEMENT	\$ 2,500.00	\$ 1,350.00	\$ 1,150.00		0.00	\$ -	\$ -	\$ -
130	SP511A	14.00	CU. YD.	CLASS S CONCRETE, ABUTMENT SLABS, USING SHRINKAGE COMPENSATING CEMENT	\$ 400.00	\$ 250.00	\$ 150.00		0.00	\$ -	\$ -	\$ -
131	SP511A	2.00	CU. YD.	CLASS S CONCRETE, USING SHRINKAGE COMPENSATING CEMENT, FOR PRE-PLACEMENT TESTING	\$ 250.00	\$ 155.00	\$ 95.00		0.00	\$ -	\$ -	\$ -
132	SP511A	2.20	CU. YD.	CLASS S CONCRETE, BARRIERS AND PARAPETS, USING TYPE I CEMENT	\$ 2,000.00	\$ 1,250.00	\$ 750.00		0.00	\$ -	\$ -	\$ -
133	512	1,458.00	SQ. YD.	SEALING CONCRETE BRIDGE DECKS WITH HMWM RESIN	\$ 12.50	\$ 2.50	\$ 10.00		1,458.00 ✓	\$ 3,645.00	\$ 14,580.00	\$ 18,225.00 ✓
134	513	10.00	EACH	WELDED STUD SHEAR CONNECTORS, AS PER PLAN	\$ 10.00	\$ 6.75	\$ 3.25		0.00	\$ -	\$ -	\$ -
135	SP516A	200.00	FT.	CRACK REPAIR USING EPOXY INJECTION	\$ 99.95	\$ 55.00	\$ 44.95		0.00	\$ -	\$ -	\$ -
136	SP516G	15.00	EACH	REPLACE EXPANSION BEARING DEVICE	\$ 3,200.00	\$ 560.00	\$ 2,640.00		0.00	\$ -	\$ -	\$ -
137	SP516M	6.00	EACH	RESET EXISTING ROCKER BEARING	\$ 2,000.00	\$ 1,032.00	\$ 968.00		0.00	\$ -	\$ -	\$ -
138	SP519	110.00	SQ. FT.	PATCHING CONCRETE STRUCTURES	\$ 130.00	\$ 50.00	\$ 80.00		0.00	\$ -	\$ -	\$ -
139	SP527	1.00	LUMP	FALSEWORK, TEMPORARY BRACING AND PROTECTIVE STRUCTURES	\$ 10,000.00	\$ 8,040.00	\$ 1,960.00		0.00	\$ -	\$ -	\$ -

**Contractor:** KOKOSING CONSTRUCTION CO., INC.  
 886 MCKINLEY AVE  
 COLUMBUS, OH 43222  
 614-228-1029

**Contract No.:** 39-13-01  
**Project No.:** 39-13-01  
**Estimate No.:** 17  
**Pay Period From:** 11/17/2013  
**Pay Period To:** 06/30/2014

Ref No.	Item No.	Contract Quantity	Unit	Item Description	Unit Price	Unit Price Labor	Unit Price Material	Change Order Quantity	Quantity Completed to Date	Amount Earned Labor	Amount Earned Material	Amount Earned to Date
140	SP529	20.00	EACH	TRIM END OF STRUCTURAL STEEL MEMBER	\$ 2,400.00	\$ 269.25	\$ 2,130.75		0.00	\$ -	\$ -	\$ -
141	SP533F	35.00	FT.	REPLACEMENT OF COMPRESSION SEAL WITH CONTINUOUS ELASTOMER SEAL	\$ 50.00	\$ 29.25	\$ 20.75		0.00	\$ -	\$ -	\$ -
142	SP533H	309.00	FT.	CONTINUOUS ELASTOMER SEAL IN STRUCTURAL STEEL JOINT	\$ 415.00	\$ 92.50	\$ 322.50		0.00	\$ -	\$ -	\$ -
143	SP536	310.00	SQ. YD.	CONCRETE WEATHERPROOFING, PARAPETS	\$ 10.00	\$ 6.75	\$ 3.25		310.00	\$ 2,092.50	\$ 1,007.50	\$ 3,100.00
144	SP536	386.00	SQ. YD.	CONCRETE WEATHERPROOFING, DECK, ABUTMENT SLABS AND APPROACH SLABS	\$ 10.00	\$ 7.00	\$ 3.00		386.00	\$ 2,702.00	\$ 1,158.00	\$ 3,860.00
145	SP536	1,795.00	SQ. YD.	CONCRETE WEATHERPROOFING, SUBSTRUCTURE	\$ 10.00	\$ 7.50	\$ 2.50		0.00	\$ -	\$ -	\$ -
146	601	68.00	CU. YD.	CRUSHED AGGREGATE SLOPE PROTECTION, AS PER PLAN	\$ 120.00	\$ 38.00	\$ 82.00		0.00	\$ -	\$ -	\$ -
147	SPECIAL	11.00	SQ. YD.	PATCHING CONCRETE BRIDGE DECKS, TYPE B	\$ 300.00	\$ 60.25	\$ 239.75	(10.00)	1.00	\$ 60.25	\$ 239.75	\$ 300.00
148	SPECIAL	2.00	EACH	ABUTMENT BEARING PILE REPAIR	\$ 2,500.00	\$ 1,585.00	\$ 915.00		2.00	\$ 3,170.00	\$ 1,830.00	\$ 5,000.00
149	SPECIAL	25.00	CU. YD.	VOID REPAIR UNDER ABUTMENT USING LOW STRENGTH MORTAR	\$ 300.00	\$ 80.50	\$ 219.50	(15.00)	10.00	\$ 805.00	\$ 2,195.00	\$ 3,000.00
<b>BRIDGE MAINTENANCE - S.R. 53 MP 92.0 (Ref. Nos. 150 - 171)</b>												
150	SP 202	1.00	LUMP	PORTIONS OF STRUCTURE REMOVED	\$ 45,000.00	\$ 37,500.00	\$ 7,500.00		1.00	\$ 37,500.00	\$ 7,500.00	\$ 45,000.00
151	509	100.00	POUND	EPOXY COATED REINFORCING STEEL, AS PER PLAN	\$ 3.50	\$ 0.05	\$ 3.45	220.00	320.00	\$ 16.00	\$ 1,104.00	\$ 1,120.00
152	SP511A	8.00	CU. YD.	CLASS S CONCRETE, SUPERSTRUCTURE DECK SLAB, USING SHRINKAGE COMPENSATING CEMENT	\$ 2,500.00	\$ 1,350.00	\$ 1,150.00	2.57	10.57	\$ 14,269.50	\$ 12,155.50	\$ 26,425.00
153	SP511A	8.00	CU. YD.	CLASS S CONCRETE, ABUTMENT SLABS, USING SHRINKAGE COMPENSATING CEMENT	\$ 400.00	\$ 359.00	\$ 41.00	(2.27)	5.73	\$ 2,057.07	\$ 234.93	\$ 2,292.00
154	SP511A	2.00	CU. YD.	CLASS S CONCRETE, USING SHRINKAGE COMPENSATING CEMENT, FOR PRE-PLACEMENT TESTING	\$ 250.00	\$ 153.00	\$ 97.00	(2.00)	0.00	\$ -	\$ -	\$ -
155	SP511A	2.10	CU. YD.	CLASS S CONCRETE, BARRIERS AND PARAPETS, USING TYPE I CEMENT	\$ 2,000.00	\$ 1,250.00	\$ 750.00	0.42	2.52	\$ 3,150.00	\$ 1,890.00	\$ 5,040.00
156	512	1,061.00	SQ. YD.	SEALING CONCRETE BRIDGE DECKS WITH HMWM RESIN	\$ 13.50	\$ 2.50	\$ 11.00		1,061.00	\$ 2,652.50	\$ 11,671.00	\$ 14,323.50
157	513	10.00	EACH	WELDED STUD SHEAR CONNECTORS, AS PER PLAN	\$ 10.00	\$ 6.75	\$ 3.25	(10.00)	0.00	\$ -	\$ -	\$ -
158	SP516A	20.00	FT.	CRACK REPAIR USING EPOXY INJECTION	\$ 250.00	\$ 55.00	\$ 195.00	(3.00)	17.00	\$ 935.00	\$ 3,315.00	\$ 4,250.00
159	SP516K	7.00	EACH	REBUILD EXPANSION BEARING DEVICE	\$ 1,700.00	\$ 525.00	\$ 1,175.00		7.00	\$ 3,675.00	\$ 8,225.00	\$ 11,900.00
160	SP516M	1.00	EACH	RESET EXISTING ROCKER BEARING	\$ 2,500.00	\$ 1,570.50	\$ 929.50		1.00	\$ 1,570.50	\$ 929.50	\$ 2,500.00
161	SP519	87.00	SQ. FT.	PATCHING CONCRETE STRUCTURES	\$ 110.00	\$ 50.00	\$ 60.00	207.69	294.69	\$ 14,734.50	\$ 17,681.40	\$ 32,415.90
162	SP527	1.00	LUMP	FALSEWORK, TEMPORARY BRACING AND PROTECTIVE STRUCTURES	\$ 10,000.00	\$ 6,430.00	\$ 3,570.00		1.00	\$ 6,430.00	\$ 3,570.00	\$ 10,000.00
163	SP529	17.00	EACH	TRIM END OF STRUCTURAL STEEL MEMBER	\$ 2,400.00	\$ 269.50	\$ 2,130.50	(2.00)	15.00	\$ 4,042.50	\$ 31,957.50	\$ 36,000.00
164	SP533F	51.00	FT.	REPLACEMENT OF COMPRESSION SEAL WITH CONTINUOUS ELASTOMER SEAL	\$ 40.00	\$ 29.50	\$ 10.50		51.00	\$ 1,504.50	\$ 535.50	\$ 2,040.00

**Contractor:** KOKOSING CONSTRUCTION CO., INC.  
 886 MCKINLEY AVE  
 COLUMBUS, OH 43222  
 614-228-1029

**Contract No.:** 39-13-01  
**Project No.:** 39-13-01  
**Estimate No.:** 17  
**Pay Period From:** 11/17/2013  
**Pay Period To:** 06/30/2014

Ref No.	Item No.	Contract Quantity	Unit	Item Description	Unit Price	Unit Price Labor	Unit Price Material	Change Order Quantity	Quantity Completed to Date	Amount Earned Labor	Amount Earned Material	Amount Earned to Date
165	SP533G	26.00	FT.	REPLACEMENT OF STRIP SEAL WITH CONTINUOUS ELASTOMER SEAL	\$ 88.00	\$ 55.50	\$ 32.50		26.00 ✓	\$ 1,443.00	\$ 845.00	\$ 2,288.00 ✓
166	SP533H	174.00	FT.	CONTINUOUS ELASTOMER SEAL IN STRUCTURAL STEEL JOINT	\$ 415.00	\$ 95.75	\$ 319.25		174.00 ✓	\$ 16,660.50	\$ 55,549.50	\$ 72,210.00 ✓
167	SP536	234.00	SQ. YD.	CONCRETE WEATHERPROOFING, PARAPETS	\$ 10.00	\$ 6.00	\$ 4.00		234.00 ✓	\$ 1,404.00	\$ 936.00	\$ 2,340.00 ✓
168	SP536	294.00	SQ. YD.	CONCRETE WEATHERPROOFING, DECK, ABUTMENT SLABS AND APPROACH SLABS	\$ 10.00	\$ 7.00	\$ 3.00		294.00 ✓	\$ 2,058.00	\$ 882.00	\$ 2,940.00 ✓
169	SP536	955.00	SQ. YD.	CONCRETE WEATHERPROOFING, SUBSTRUCTURE	\$ 10.00	\$ 7.50	\$ 2.50		955.00 ✓	\$ 7,162.50	\$ 2,387.50	\$ 9,550.00 ✓
170	SPECIAL	8.00	SQ. YD.	PATCHING CONCRETE BRIDGE DECKS, TYPE B	\$ 250.00	\$ 60.25	\$ 189.75	(7.00) ✓	1.00 ✓	\$ 60.25	\$ 189.75	\$ 250.00 ✓
171	SPECIAL	2.00	EACH	RECOATING OF TYPE 'A' FIXED BEARING ASSEMBLY	\$ 1,500.00	\$ 1,100.00	\$ 400.00		2.00 ✓	\$ 2,200.00	\$ 800.00	\$ 3,000.00 ✓
<b>BRIDGE MAINTENANCE - BARK CREEK MP 94.2 (Ref. Nos. 172 - 189)</b>												
172	SP 202	1.00	LUMP	PORTIONS OF STRUCTURE REMOVED	\$ 45,000.00	\$ 32,350.00	\$ 12,650.00		1.00 ✓	\$ 32,350.00	\$ 12,650.00	\$ 45,000.00 ✓
173	509	100.00	POUND	EPOXY COATED REINFORCING STEEL, AS PER PLAN	\$ 3.50	\$ 0.05	\$ 3.45	87.83 ✓	187.83 ✓	\$ 9.39	\$ 648.02	\$ 657.41 ✓
174	SP511A	6.00	CU. YD.	CLASS S CONCRETE, SUPERSTRUCTURE DECK SLAB, USING SHRINKAGE COMPENSATING CEMENT	\$ 1,200.00	\$ 750.00	\$ 450.00	3.30 ✓	9.30 ✓	\$ 6,975.00	\$ 4,185.00	\$ 11,160.00 ✓
175	SP511A	6.00	CU. YD.	CLASS S CONCRETE, ABUTMENT SLABS, USING SHRINKAGE COMPENSATING CEMENT	\$ 1,200.00	\$ 695.00	\$ 505.00	1.82 ✓	7.82 ✓	\$ 5,434.90	\$ 3,949.10	\$ 9,384.00 ✓
176	SP511A	2.00	CU. YD.	CLASS S CONCRETE, USING SHRINKAGE COMPENSATING CEMENT, FOR PRE-PLACEMENT TESTING	\$ 250.00	\$ 153.00	\$ 97.00	(2.00) ✓	0.00 ✓	\$ -	\$ -	\$ -
177	SP511A	1.40	CU. YD.	CLASS S CONCRETE, BARRIERS AND PARAPETS, USING TYPE I CEMENT	\$ 2,000.00	\$ 1,250.00	\$ 750.00	0.70 ✓	2.10 ✓	\$ 2,625.00	\$ 1,575.00	\$ 4,200.00 ✓
178	512	853.00	SQ. YD.	SEALING CONCRETE BRIDGE DECKS WITH HMWM RESIN	\$ 13.50	\$ 2.50	\$ 11.00		853.00 ✓	\$ 2,132.50	\$ 9,383.00	\$ 11,515.50 ✓
179	513	10.00	EACH	WELDED STUD SHEAR CONNECTORS, AS PER PLAN	\$ 10.00	\$ 6.75	\$ 3.25	(10.00) ✓	0.00 ✓	\$ -	\$ -	\$ -
180	SP516G	9.00	EACH	REPLACE EXPANSION BEARING DEVICE	\$ 2,200.00	\$ 460.00	\$ 1,740.00	(9.00) ✓	0.00 ✓	\$ -	\$ -	\$ -
181	SP519	92.00	SQ. FT.	PATCHING CONCRETE STRUCTURES	\$ 110.00	\$ 50.00	\$ 60.00	17.08 ✓	109.08 ✓	\$ 5,454.00	\$ 6,544.80	\$ 11,998.80 ✓
182	SP527	1.00	LUMP	FALSEWORK, TEMPORARY BRACING AND PROTECTIVE STRUCTURES	\$ 1,000.00	\$ 805.00	\$ 195.00		1.00 ✓	\$ 805.00	\$ 195.00	\$ 1,000.00 ✓
183	SP533H	128.00	FT.	CONTINUOUS ELASTOMER SEAL IN STRUCTURAL STEEL JOINT	\$ 420.00	\$ 97.50	\$ 322.50		128.00 ✓	\$ 12,480.00	\$ 41,280.00	\$ 53,760.00 ✓
184	SP536	192.00	SQ. YD.	CONCRETE WEATHERPROOFING, PARAPETS	\$ 10.00	\$ 6.00	\$ 4.00		192.00 ✓	\$ 1,152.00	\$ 768.00	\$ 1,920.00 ✓
185	SP536	267.00	SQ. YD.	CONCRETE WEATHERPROOFING, DECK, ABUTMENT SLABS AND APPROACH SLABS	\$ 10.00	\$ 7.00	\$ 3.00		267.00 ✓	\$ 1,869.00	\$ 801.00	\$ 2,670.00 ✓
186	SP536	820.00	SQ. YD.	CONCRETE WEATHERPROOFING, SUBSTRUCTURE	\$ 10.00	\$ 7.50	\$ 2.50		820.00 ✓	\$ 6,150.00	\$ 2,050.00	\$ 8,200.00 ✓
187	601	65.00	CU. YD.	ROCK CHANNEL PROTECTION, TYPE A WITH FILTER, AS PER PLAN	\$ 120.00	\$ 35.50	\$ 84.50	(37.60) ✓	27.40 ✓	\$ 972.70	\$ 2,315.30	\$ 3,288.00 ✓
188	SPECIAL	5.00	SQ. YD.	PATCHING CONCRETE BRIDGE DECKS, TYPE B	\$ 300.00	\$ 60.25	\$ 239.75	(4.00) ✓	1.00 ✓	\$ 60.25	\$ 239.75	\$ 300.00 ✓
189	SPECIAL	9.00	EACH	REPOSITION ELASTOMERIC EXPANSION BEARING	\$ 400.00	\$ 263.00	\$ 137.00		9.00 ✓	\$ 2,367.00	\$ 1,233.00	\$ 3,600.00 ✓



**Contractor:** KOKOSING CONSTRUCTION CO., INC.  
 886 MCKINLEY AVE  
 COLUMBUS, OH 43222  
 614-228-1029

**Contract No.:** 39-13-01  
**Project No.:** 39-13-01  
**Estimate No.:** 17  
**Pay Period From:** 11/17/2013  
**Pay Period To:** 06/30/2014

Ref No.	Item No.	Contract Quantity	Unit	Item Description	Unit Price	Unit Price Labor	Unit Price Material	Change Order Quantity	Quantity Completed to Date	Amount Earned Labor	Amount Earned Material	Amount Earned to Date
<b>BRIDGE MAINTENANCE - U.S. 6 MP 95.4 (Ref. Nos. 190 - 209)</b>												
190	SP 202	1.00	LUMP	PORTIONS OF STRUCTURE REMOVED	\$ 30,000.00	\$ 24,650.00	\$ 5,350.00		1.00 ✓	\$ 24,650.00	\$ 5,350.00	\$ 30,000.00 ✓
191	509	100.00	POUND	EPOXY COATED REINFORCING STEEL, AS PER PLAN	\$ 3.50	\$ 0.05	\$ 3.45	109.00 ✓	209.00 ✓	\$ 10.45	\$ 721.05	\$ 731.50 ✓
192	SP511A	6.00	CU. YD.	CLASS S CONCRETE, SUPERSTRUCTURE DECK SLAB, USING SHRINKAGE COMPENSATING CEMENT	\$ 1,200.00	\$ 750.00	\$ 450.00	(0.02) ✓	5.98 ✓	\$ 4,485.00	\$ 2,691.00	\$ 7,176.00 ✓
193	SP511A	6.00	CU. YD.	CLASS S CONCRETE, ABUTMENT SLABS, USING SHRINKAGE COMPENSATING CEMENT	\$ 1,200.00	\$ 387.00	\$ 813.00	1.45 ✓	7.45 ✓	\$ 2,883.15	\$ 6,056.85	\$ 8,940.00 ✓
194	SP511A	2.00	CU. YD.	CLASS S CONCRETE, USING SHRINKAGE COMPENSATING CEMENT, FOR PRE-PLACEMENT TESTING	\$ 250.00	\$ 153.25	\$ 96.75	(2.00) ✓	0.00 ✓	\$ -	\$ -	\$ -
195	SP511A	1.50	CU. YD.	CLASS S CONCRETE, BARRIERS AND PARAPETS, USING TYPE I CEMENT	\$ 2,000.00	\$ 1,350.00	\$ 650.00	0.16 ✓	1.66 ✓	\$ 2,241.00	\$ 1,079.00	\$ 3,320.00 ✓
196	512	1,054.00	SQ. YD.	SEALING CONCRETE BRIDGE DECKS WITH HMWM RESIN	\$ 13.50	\$ 2.50	\$ 11.00		1,054.00 ✓	\$ 2,635.00	\$ 11,594.00	\$ 14,229.00 ✓
197	513	10.00	EACH	WELDED STUD SHEAR CONNECTORS, AS PER PLAN	\$ 10.00	\$ 6.75	\$ 3.25	(10.00) ✓	0.00 ✓	\$ -	\$ -	\$ -
198	SP516G	12.00	EACH	REPLACE EXPANSION BEARING DEVICE	\$ 2,800.00	\$ 526.00	\$ 2,274.00		12.00 ✓	\$ 6,312.00	\$ 27,288.00	\$ 33,600.00 ✓
199	SP516H	9.00	EACH	REHABILITATION OF FIXED BEARING ASSEMBLY	\$ 2,200.00	\$ 493.50	\$ 1,706.50		9.00 ✓	\$ 4,441.50	\$ 15,358.50	\$ 19,800.00 ✓
200	SP516K	2.00	EACH	REBUILD EXPANSION BEARING DEVICE	\$ 1,500.00	\$ 526.50	\$ 973.50		2.00 ✓	\$ 1,053.00	\$ 1,947.00	\$ 3,000.00 ✓
201	SP516M	8.00	EACH	RESET EXISTING ROCKER BEARING	\$ 1,800.00	\$ 999.00	\$ 801.00		8.00 ✓	\$ 7,992.00	\$ 6,408.00	\$ 14,400.00 ✓
202	SP519	115.00	SQ. FT.	PATCHING CONCRETE STRUCTURES	\$ 110.00	\$ 50.00	\$ 60.00	2.99 ✓	117.99 ✓	\$ 5,899.50	\$ 7,079.40	\$ 12,978.90 ✓
203	SP527	1.00	LUMP	FALSEWORK, TEMPORARY BRACING AND PROTECTIVE STRUCTURES	\$ 2,000.00	\$ 1,600.00	\$ 400.00		1.00 ✓	\$ 1,600.00	\$ 400.00	\$ 2,000.00 ✓
204	SP533F	31.00	FT.	REPLACEMENT OF COMPRESSION SEAL WITH CONTINUOUS ELASTOMER SEAL	\$ 40.00	\$ 29.50	\$ 10.50		31.00 ✓	\$ 914.50	\$ 325.50	\$ 1,240.00 ✓
205	SP533H	122.00	FT.	CONTINUOUS ELASTOMER SEAL IN STRUCTURAL STEEL JOINT	\$ 415.00	\$ 94.50	\$ 320.50		122.00 ✓	\$ 11,529.00	\$ 39,101.00	\$ 50,630.00 ✓
206	SP536	229.00	SQ. YD.	CONCRETE WEATHERPROOFING, PARAPETS	\$ 10.00	\$ 6.00	\$ 4.00		229.00 ✓	\$ 1,374.00	\$ 916.00	\$ 2,290.00 ✓
207	SP536	320.00	SQ. YD.	CONCRETE WEATHERPROOFING, DECK, ABUTMENT SLABS AND APPROACH SLABS	\$ 10.00	\$ 7.00	\$ 3.00		320.00 ✓	\$ 2,240.00	\$ 960.00	\$ 3,200.00 ✓
208	SP536	1,085.00	SQ. YD.	CONCRETE WEATHERPROOFING, SUBSTRUCTURE	\$ 10.00	\$ 7.50	\$ 2.50		1,085.00 ✓	\$ 8,137.50	\$ 2,712.50	\$ 10,850.00 ✓
209	SPECIAL	4.00	SQ. YD.	PATCHING CONCRETE BRIDGE DECKS, TYPE B	\$ 300.00	\$ 60.25	\$ 239.75		4.00 ✓	\$ 241.00	\$ 959.00	\$ 1,200.00 ✓
<b>TRAFFIC CONTROL (Ref. Nos. 210 - 237)</b>												
210	620	117.00	EACH	DELINEATOR, POST MOUNTED, AS PER PLAN	\$ 38.50	\$ 20.00	\$ 18.50		117.00 ✓	\$ 2,340.00	\$ 2,164.50	\$ 4,504.50 ✓
211	620	117.00	EACH	REMOVAL OF DELINEATOR	\$ 3.00	\$ 3.00	\$ -	(117.00) ✓	0.00 ✓	\$ -	\$ -	\$ -
212	621	1,650.00	EACH	RAISED PAVEMENT MARKER REMOVED	\$ 2.00	\$ 2.00	\$ -	(680.00) ✓	970.00 ✓	\$ 1,940.00	\$ -	\$ 1,940.00 ✓
213	SP626	288.00	EACH	REPLACEMENT PRISMATIC RETRO REFLECTOR	\$ 10.65	\$ 8.00	\$ 2.65	(273.00) ✓	15.00 ✓	\$ 120.00	\$ 39.75	\$ 159.75 ✓

Ohio Turnpike Commission  
 Estimate For Payment  
 Date Prepared: 07/01/2014

WESTBOUND RIGHT TWO (2) LANES AND SHOULDER RECONSTRUCTION  
 MILEPOST 90.0 TO MILEPOST 95.90  
 LOCATED IN SANDUSKY COUNTY  
 Award Amount \$16,083,160.20

Contractor: KOKOSING CONSTRUCTION CO., INC.  
 886 MCKINLEY AVE  
 COLUMBUS, OH 43222  
 614-228-1029

Contract No.: 39-13-01  
 Project No.: 39-13-01  
 Estimate No.: 17  
 Pay Period From: 11/17/2013  
 Pay Period To: 06/30/2014

Ref No.	Item No.	Contract Quantity	Unit	Item Description	Unit Price	Unit Price Labor	Unit Price Material	Change Order Quantity	Quantity Completed to Date	Amount Earned Labor	Amount Earned Material	Amount Earned to Date
214	SP626	1,182.00	EACH	RAISED PAVEMENT MARKER STIMSONITE MODEL 101LPCR	\$ 17.90	\$ 8.00	\$ 9.90	(323.00)✓	859.00✓	\$ 6,872.00	\$ 8,504.10	\$ 15,376.10✓
215	630	106.00	FT	GROUND MOUNTED SUPPORT, NO. 3 POST	\$ 8.00	\$ 5.00	\$ 3.00	17.00✓	123.00✓	\$ 615.00	\$ 369.00	\$ 984.00✓
216	630	58.00	FT	GROUND MOUNTED SUPPORT, NO. 4 POST	\$ 11.50	\$ 6.00	\$ 5.50	(58.00)✓	0.00✓	\$ -	\$ -	\$ -
217	630	1.00	EACH	GROUND MOUNTED SIGN SUPPORT, PIPE	\$ 875.00	\$ 250.00	\$ 625.00	(1.00)✓	0.00✓	\$ -	\$ -	\$ -
218	630	2.00	EACH	SIGN POST REFLECTOR	\$ 40.00	\$ 25.00	\$ 15.00		2.00✓	\$ 50.00	\$ 30.00	\$ 80.00✓
219	630	1.00	EACH	TRIANGULAR SLIP BASE CONNECTION	\$ 450.00	\$ 200.00	\$ 250.00	(1.00)✓	0.00✓	\$ -	\$ -	\$ -
220	630	155.00	SQ FT	SIGN, FLAT SHEET	\$ 18.00	\$ 7.00	\$ 11.00	(0.67)✓	154.33✓	\$ 1,080.31	\$ 1,697.63	\$ 2,777.94✓
221	630	28.00	EACH	REMOVAL OF GROUND MOUNTED SIGN AND DISPOSAL	\$ 10.00	\$ 10.00	\$ -	(20.00)✓	8.00✓	\$ 80.00	\$ -	\$ 80.00✓
222	630	29.00	EACH	REMOVAL OF GROUND MOUNTED POST SUPPORT AND DISPOSAL	\$ 15.00	\$ 15.00	\$ -	(25.00)✓	4.00✓	\$ 60.00	\$ -	\$ 60.00✓
223	630	20.00	EACH	REMOVAL OF OVERHEAD MOUNTED SIGN AND DISPOSAL	\$ 235.00	\$ 150.00	\$ 85.00	(5.00)✓	15.00✓	\$ 2,250.00	\$ 1,275.00	\$ 3,525.00✓
224	630	1.00	EACH	REMOVAL OF POLE MOUNTED SIGN AND DISPOSAL	\$ 45.00	\$ 25.00	\$ 20.00	(1.00)✓	0.00✓	\$ -	\$ -	\$ -
225	630	39.00	EACH	SIGNING, MISC.: SIGN ERRECTED, FLAT SHEET	\$ 25.00	\$ 7.00	\$ 18.00	(23.00)✓	16.00✓	\$ 112.00	\$ 288.00	\$ 400.00✓
226	630	20.00	EACH	SIGNING, MISC.: SIGN ERRECTED, OVERHEAD EXTRUSHEET	\$ 595.00	\$ 265.00	\$ 330.00		20.00✓	\$ 5,300.00	\$ 6,600.00	\$ 11,900.00✓
227	631	8.00	EACH	REMOVAL OF LUMINAIRE AND DISPOSAL	\$ 50.00	\$ 50.00	\$ -	(1.00)✓	7.00✓	\$ 350.00	\$ -	\$ 350.00✓
228	631	2.00	EACH	REMOVAL OF DISCONNECT SWITCH AND DISPOSAL	\$ 65.00	\$ 65.00	\$ -	(2.00)✓	0.00✓	\$ -	\$ -	\$ -
229	631	8.00	EACH	REMOVAL OF BALLAST AND DISPOSAL	\$ 55.00	\$ 55.00	\$ -	(1.00)✓	7.00✓	\$ 385.00	\$ -	\$ 385.00✓
230	631	4.00	EACH	REMOVAL OF SIGNS WIRED	\$ 70.00	\$ 70.00	\$ -		4.00✓	\$ 280.00	\$ -	\$ 280.00✓
231	631	4.00	EACH	REMOVAL OF SIGN WIRING AND DISPOSAL	\$ 120.00	\$ 120.00	\$ -		4.00✓	\$ 480.00	\$ -	\$ 480.00✓
232	631	4.00	EACH	REMOVAL OF SIGN SERVICE AND DISPOSAL	\$ 235.00	\$ 235.00	\$ -	(4.00)✓	0.00✓	\$ -	\$ -	\$ -
233	642	28.82	MILE	EDGE LINE, 6", TYPE 1	\$ 540.00	\$ 148.00	\$ 392.00	(1.09)✓	27.73✓	\$ 4,104.04	\$ 10,870.16	\$ 14,974.20✓
234	642	28.84	MILE	LANE LINE, 6", TYPE 1	\$ 324.00	\$ 148.00	\$ 176.00	(2.35)✓	26.49✓	\$ 3,920.52	\$ 4,662.24	\$ 8,582.76✓
235	642	1,028.00	FT	CHANNELIZING LINE, 12", TYPE 1	\$ 2.00	\$ 1.00	\$ 1.00	1,162.00✓	2,190.00✓	\$ 2,190.00	\$ 2,190.00	\$ 4,380.00✓
236	642	290.00	FT	DOTTED LINE, 6", TYPE 1	\$ 1.75	\$ 0.95	\$ 0.80	(290.00)✓	0.00✓	\$ -	\$ -	\$ -
237	SP802	650.00	EACH	BARRIER REFLECTOR, TYPE B	\$ 6.20	\$ 3.00	\$ 3.20	(240.00)✓	410.00✓	\$ 1,230.00	\$ 1,312.00	\$ 2,542.00✓
				<b>MAINTENANCE OF TRAFFIC (Ref. Nos. 238 - 268)</b>								
238	614	4,050.00	FT	LINEAR DELINEATION	\$ 0.80	\$ 0.35	\$ 0.45	(4,050.00)✓	0.00✓	\$ -	\$ -	\$ -
239	614	15.00	EACH	WORK ZONE IMPACT ATTENUATOR (UNIDIRECTIONAL) 24"	\$ 1,500.00	\$ 830.00	\$ 670.00	4.00✓	19.00✓	\$ 15,770.00	\$ 12,730.00	\$ 28,500.00✓
240	614	10.00	EACH	REPLACEMENT SIGN	\$ 350.00	\$ 70.50	\$ 279.50	(10.00)✓	0.00✓	\$ -	\$ -	\$ -
241	614	2.00	EACH	WORK ZONE CROSSOVER LIGHTING SYSTEM	\$ 26,850.00	\$ 17,600.00	\$ 9,250.00		2.00✓	\$ 35,200.00	\$ 18,500.00	\$ 53,700.00✓
242	614	100.00	CU YD	ASPHALT CONCRETE FOR MAINTAINING TRAFFIC	\$ 120.00	\$ 105.00	\$ 15.00	(54.85)✓	45.15✓	\$ 4,740.75	\$ 677.25	\$ 5,418.00✓
243	614	1,015.00	EACH	OBJECT MARKER, ONE WAY	\$ 7.00	\$ 3.25	\$ 3.75	(316.00)✓	699.00✓	\$ 2,271.75	\$ 2,621.25	\$ 4,893.00✓
244	614	480.00	DAY	PORTABLE CHANGEABLE MESSAGE SIGN, AS PER PLAN	\$ 15.00	\$ 0.25	\$ 14.75	(168.00)✓	312.00✓	\$ 78.00	\$ 4,602.00	\$ 4,680.00✓
245	614	12.37	MILE	WORK ZONE LANE LINE, CLASS I, 642 PAINT	\$ 394.00	\$ 1.10	\$ 392.90	(4.37)✓	8.00✓	\$ 8.80	\$ 3,143.20	\$ 3,152.00✓

**Contractor:** KOKOSING CONSTRUCTION CO., INC.  
 886 MCKINLEY AVE  
 COLUMBUS, OH 43222  
 614-228-1029

**Contract No.:** 39-13-01  
**Project No.:** 39-13-01  
**Estimate No.:** 17  
**Pay Period From:** 11/17/2013  
**Pay Period To:** 06/30/2014

Ref No.	Item No.	Contract Quantity	Unit	Item Description	Unit Price	Unit Price Labor	Unit Price Material	Change Order Quantity	Quantity Completed to Date	Amount Earned Labor	Amount Earned Material	Amount Earned to Date
246	614	57.78	MILE	WORK ZONE EDGE LINE, CLASS I, 642 PAINT	\$ 563.00	\$ 148.00	\$ 415.00	(17.09)✓	40.69✓	\$ 6,022.12	\$ 16,886.35	\$ 22,908.47✓
247	614	10,240.00	FT	WORK ZONE CHANNELIZING LINE, CLASS I, 642 PAINT	\$ 0.75	\$ 0.45	\$ 0.30	(503.00)✓	9,737.00✓	\$ 4,381.65	\$ 2,921.10	\$ 7,302.75✓
248	614	2,450.00	FT	WORK ZONE DOTTED LINE, CLASS I, 642 PAINT	\$ 1.25	\$ 0.75	\$ 0.50	(905.00)✓	1,545.00✓	\$ 1,158.75	\$ 772.50	\$ 1,931.25✓
249	614	551.00	FT	WORK ZONE TRANSVERSE/DIAGONAL LINE, CLASS 1, 740.06, TYPE I	\$ 4.00	\$ 2.50	\$ 1.50		551.00✓	\$ 1,377.50	\$ 826.50	\$ 2,204.00✓
250	SP614	5,000.00	HOUR	ZONE PERSON(S)	\$ 58.00	\$ 43.75	\$ 14.25	325.00✓	5,325.00✓	\$ 232,968.75	\$ 75,881.25	\$ 308,850.00✓
251	SP614	1.00	LUMP	MAINTAINING TRAFFIC	\$ 591,000.00	\$ 237,800.00	\$ 353,200.00		1.00✓	\$ 237,800.00	\$ 353,200.00	\$ 591,000.00✓
252	615	1.00	LUMP	ROADS FOR MAINTAINING TRAFFIC	\$ 90,000.00	\$ 15,750.00	\$ 74,250.00		1.00✓	\$ 15,750.00	\$ 74,250.00	\$ 90,000.00✓
253	615	323.00	SQ YD	PAVEMENT FOR MAINTAINING TRAFFIC, CLASS A	\$ 40.00	\$ 10.50	\$ 29.50	(64.15)✓	258.85✓	\$ 2,717.93	\$ 7,636.07	\$ 10,354.00✓
254	615	4,389.00	SQ YD	PAVEMENT FOR MAINTAINING TRAFFIC, CLASS A, AS PER PLAN	\$ 29.00	\$ 5.00	\$ 24.00	317.21✓	4,706.21✓	\$ 23,531.05	\$ 112,949.04	\$ 136,480.09✓
255	616	1,000.00	M GAL.	WATER	\$ 50.00	\$ 19.50	\$ 30.50	(136.00)✓	864.00✓	\$ 16,848.00	\$ 26,352.00	\$ 43,200.00✓
256	622	650.00	FT	PORTABLE CONCRETE BARRIER, 50", AS PER PLAN	\$ 45.00	\$ 1.85	\$ 43.15	2.00✓	652.00✓	\$ 1,206.20	\$ 28,133.80	\$ 29,340.00✓
257	622	1.00	EACH	PORTABLE CONCRETE BARRIER, "Y" CONNECTOR	\$ 670.00	\$ 372.25	\$ 297.75	(1.00)✓	0.00✓	\$ -	\$ -	\$ -
258	SP622A	1.00	LUMP	PORTABLE CONCRETE BARRIER, 32" (WITH GLARE SHIELD)	\$ 220,000.00	\$ 167,800.00	\$ 52,200.00		1.00✓	\$ 167,800.00	\$ 52,200.00	\$ 220,000.00✓
259	SP622A	1.00	LUMP	PORTABLE CONCRETE BARRIER, 32" (WITHOUT GLARE SHIELD)	\$ 315,000.00	\$ 72,300.00	\$ 242,700.00		1.00✓	\$ 72,300.00	\$ 242,700.00	\$ 315,000.00✓
260	SP626	25.00	EACH	RAISED PAVEMENT MARKER-STIMSONITE MODEL 101 LPCR	\$ 18.20	\$ 10.00	\$ 8.20	(25.00)✓	0.00✓	\$ -	\$ -	\$ -
261	SP626	25.00	EACH	REPLACEMENT PRISMATIC RETRO-REFLECTOR	\$ 10.00	\$ 7.50	\$ 2.50	(25.00)✓	0.00✓	\$ -	\$ -	\$ -
262	SP626	25.00	EACH	REPLACEMENT RAISED PAVEMENT MARKER CASTING-STIMSONITE MODEL 101 LPCR	\$ 19.00	\$ 10.00	\$ 9.00	(25.00)✓	0.00✓	\$ -	\$ -	\$ -
263	SP626A	676.00	EACH	CONSTRUCTION ZONE MARKER, ONE WAY MODEL, (WHITE)	\$ 6.00	\$ 2.35	\$ 3.65	232.00✓	908.00✓	\$ 2,133.80	\$ 3,314.20	\$ 5,448.00✓
264	SP626A	547.00	EACH	CONSTRUCTION ZONE MARKER, ONE WAY MODEL, (YELLOW)	\$ 6.00	\$ 2.30	\$ 3.70	79.00✓	626.00✓	\$ 1,439.80	\$ 2,316.20	\$ 3,756.00✓
265	630	500.00	SQ FT	SIGNING, MISC.: ADDITIONAL SIGNS WITH SUPPORTS, AS DIRECTED BY THE CHIEF ENGINEER	\$ 18.00	\$ 4.50	\$ 13.50	(308.00)✓	192.00✓	\$ 864.00	\$ 2,592.00	\$ 3,456.00✓
266	SP641C	66.50	MILE	REMOVAL OF PAVEMENT MARKING	\$ 930.00	\$ 4.50	\$ 925.50	(3.56)✓	62.94✓	\$ 283.23	\$ 58,250.97	\$ 58,534.20✓
267	SPECIAL	70,000.00	FT	"SNAP" MILL AND FILL	\$ 2.75	\$ 0.50	\$ 2.25	(56,016.00)✓	13,984.00✓	\$ 6,992.00	\$ 31,464.00	\$ 38,456.00✓
268	SPECIAL	3.00	EACH	EXISTING CROSSOVER TO BE CLOSED / RE-OPENED, AS PER PLAN	\$ 2,350.00	\$ 1,266.00	\$ 1,084.00		3.00✓	\$ 3,798.00	\$ 3,252.00	\$ 7,050.00✓
269	IB, ART.6	1.00	LUMP	<b>GENERAL (Ref. Nos. 269 - 273)</b> PREMIUM FOR CONTRACT PERFORMANCE BOND AND PAYMENT BOND	\$ 90,000.00	\$ -	\$ 90,000.00		1.00✓	\$ -	\$ 90,000.00	\$ 90,000.00✓
270	SP115	1.00	LUMP	RAILROAD PROTECTIVE LIABILITY INSURANCE	\$ 3,000.00	\$ -	\$ 3,000.00		1.00✓	\$ -	\$ 3,000.00	\$ 3,000.00✓
271	SP619	1.00	LUMP	FIELD OFFICE	\$ 60,000.00	\$ 15,955.00	\$ 44,045.00		1.00✓	\$ 15,955.00	\$ 44,045.00	\$ 60,000.00✓
272	SP623	1.00	LUMP	CONSTRUCTION LAYOUT SURVEY	\$ 75,000.00	\$ 62,500.00	\$ 12,500.00		1.00✓	\$ 62,500.00	\$ 12,500.00	\$ 75,000.00✓

Ohio Turnpike Commission  
 Estimate For Payment  
 Date Prepared: 07/01/2014

WESTBOUND RIGHT TWO (2) LANES AND SHOULDER RECONSTRUCTION  
 MILEPOST 90.0 TO MILEPOST 95.90  
 LOCATED IN SANDUSKY COUNTY  
 Award Amount \$16,083,160.20

Contractor: KOKOSING CONSTRUCTION CO., INC.  
 886 MCKINLEY AVE  
 COLUMBUS, OH 43222  
 614-228-1029

Contract No.: 39-13-01  
 Project No.: 39-13-01  
 Estimate No.: 17  
 Pay Period From: 11/17/2013  
 Pay Period To: 06/30/2014

Ref No.	Item No.	Contract Quantity	Unit	Item Description	Unit Price	Unit Price Labor	Unit Price Material	Change Order Quantity	Quantity Completed to Date	Amount Earned Labor	Amount Earned Material	Amount Earned to Date
273	624	1.00	LUMP	MOBILIZATION	\$ 400,000.00	\$ 72,500.00	\$ 327,500.00		1.00 ✓	\$ 72,500.00	\$ 327,500.00	\$ 400,000.00 ✓
<b>TOTAL BASE BID</b>										<b>\$ 2,983,301.70 ✓</b>	<b>\$ 8,165,112.97 ✓</b>	<b>\$ 11,148,414.67 ✓</b>
<u>MAINLINE BASE PAVEMENT ALTERNATIVE (Ref. No. 274)</u>												
274	SP302	28,593.00	CU YD	BITUMINOUS AGGREGATE BASE, PG64-22 (Replaces Ref. No. 75)	\$ 104.00	\$ 5.65	\$ 98.35	(766.41) ✓	27,826.59 ✓	\$ 157,220.23 ✓	\$ 2,736,745.13 ✓	\$ 2,893,965.36 ✓
<b>TOTAL MAINLINE BASE PAVEMENT ALTERNATIVE</b>										<b>\$ 157,220.23 ✓</b>	<b>\$ 2,736,745.13 ✓</b>	<b>\$ 2,893,965.36 ✓</b>
<u>SHOULDER BASE PAVEMENT ALTERNATIVE (Ref. Nos. 275 - 276)</u>												
275	SP302	6,191.00	CU YD	BITUMINOUS AGGREGATE BASE, PG64-22 (Replaces Ref. No. 83)	\$ 104.00	\$ 7.50	\$ 96.50	(67.95) ✓	6,123.05 ✓	\$ 45,922.88	\$ 590,874.32	\$ 636,797.20 ✓
276	SP304	7,910.00	CU YD	AGGREGATE BASE (Replaces Ref. No. 74)	\$ 39.00	\$ 5.25	\$ 33.75	(129.19) ✓	7,780.81 ✓	\$ 40,849.25	\$ 262,602.34	\$ 303,451.59 ✓
<b>TOTAL SHOULDER BASE PAVEMENT ALTERNATIVE</b>										<b>\$ 86,772.13 ✓</b>	<b>\$ 853,476.66 ✓</b>	<b>\$ 940,248.79 ✓</b>
<b>TEMPORARY ACCESS, PROPOSAL AND CREDIT</b>					\$ -	\$ -	\$ -			\$ -	\$ -	\$ -
<b>TOTAL</b>										<b>\$ 3,227,294.06 ✓</b>	<b>\$ 11,755,334.76 ✓</b>	<b>\$ 14,982,628.82 ✓</b>

Ohio Turnpike Commission  
 Estimate For Payment  
 Date Prepared: 07/01/2014

WESTBOUND RIGHT TWO (2) LANES AND SHOULDER RECONSTRUCTION  
 MILEPOST 90.0 TO MILEPOST 95.90  
 LOCATED IN SANDUSKY COUNTY  
 Award Amount \$16,083,160.20

Contractor: KOKOSING CONSTRUCTION CO., INC.  
 886 MCKINLEY AVE  
 COLUMBUS, OH 43222  
 614-228-1029

Contract No.: 39-13-01  
 Project No.: 39-13-01  
 Estimate No.: 17  
 Pay Period From: 11/17/2013  
 Pay Period To: 06/30/2014

Ref No.	Item No.	Contract Quantity	Unit	Item Description	Unit Price	Unit Price Labor	Unit Price Material	Change Order Quantity	Quantity Completed to Date	Amount Earned Labor	Amount Earned Material	Amount Earned to Date	
<b>CHANGE ORDER - EXTRA WORK</b>													
	LUMP			CO-001-RV- Add. MOT Full-Partial Depths Pvmnt Repairs	\$ 8,221.14		\$ 8,221.14	1.00	1.00	\$		\$ 8,221.14 ✓	
	LUMP			CO-002-FA- MISC. Pothole/ Pvmtn Repairs April-May-June	\$ 13,080.10		\$ 13,080.10	1.00	1.00	\$		\$ 13,080.10 ✓	
	LUMP			CO-003-RV- Extra Ramp Paving Interchange 91 (SR 53)	\$ 39,550.98		\$ 39,550.98	1.00	1.00	\$		\$ 39,550.98 ✓	
	LUMP			CO-004-FA- Parapet Transition Repair	\$ 4,768.49		\$ 4,768.49	1.00	1.00	\$		\$ 4,768.49 ✓	
	LUMP			CO-005-FA- Sink Hole Repair- Culvert Failure Sta 694+50	\$ 3,131.53		\$ 3,131.53	1.00	1.00	\$		\$ 3,131.53 ✓	
	LUMP			CO-006-OT- Fence Cut Credit	\$ (185,000.00)		\$ (185,000.00)	1.00	1.00	\$		\$ (185,000.00) ✓	
	LUMP			CO-007-RV-Add. Cost Change Trench Drain to Slotted Drain	\$ 12,766.85		\$ 12,766.85	1.00	1.00	\$		\$ 12,766.85 ✓	
	LUMP			CO-008-FA-Install Additional Basins	\$ 2,134.31		\$ 2,134.31	1.00	1.00	\$		\$ 2,134.31 ✓	
	HOOR			CO-009-RV-Catch Basin Cleanout-Darr Cleaning	\$ 231.00		\$ 231.00	8.00	8.00	\$		\$ 1,848.00 ✓	
	LUMP			CO-010-FA-Assist. With Soil Test Sampling	\$ 1,596.53		\$ 1,596.53	1.00	1.00	\$		\$ 1,596.53 ✓	
	LUMP			CO-011-FA-Emergency Catch Basin Repair MO 93.6 WB	\$ 1,930.11		\$ 1,930.11	1.00	1.00	\$		\$ 1,930.11 ✓	
	LUMP			CO-012-RV-Add. Width for Bridge Jt Dem(SR 6, Bark Crk, US 6)	\$ 13,655.57		\$ 13,655.57	1.00	1.00	\$		\$ 13,655.57 ✓	
	LUMP			CO-013-FA-Hoe Ram- Overhead Sign Foundation Removal	\$ 538.66		\$ 538.66	1.00	1.00	\$		\$ 538.66 ✓	
	LUMP			CO-021-FA- Replace Existing 18" Pipe Sta 733+50	\$ 7,182.42		\$ 7,182.42	1.00	1.00	\$		\$ 7,182.42 ✓	
	LUMP			CO-022-FA- Ramp Cross Slope Error Rework	\$ 10,491.33		\$ 10,491.33	1.00	1.00	\$		\$ 10,491.33 ✓	
	LUMP			CO-023-FA- Concrete Cap over 3 Shallow Culverts	\$ 36,445.86		\$ 36,445.86	1.00	1.00	\$		\$ 36,445.86 ✓	
	LUMP			CO-024-FA- Remove Exist. Pvmnt at Sandusky River Bridge	\$ 2,251.11		\$ 2,251.11	1.00	1.00	\$		\$ 2,251.11 ✓	
	LUMP			CO-025-FA- MOT for Existing Pvmnt Repairs	\$ 1,598.58		\$ 1,598.58	1.00	1.00	\$		\$ 1,598.58 ✓	
	LUMP			CO-026-FA- Change Pipe 12" to 15" Sta 542+33, Sta 545+62	\$ 1,900.39		\$ 1,900.39	1.00	1.00	\$		\$ 1,900.39 ✓	
	LUMP			CO-027-FA- Slope Repair Sta 710+00 Add. Drainage Pipe	\$ 932.37		\$ 932.37	1.00	1.00	\$		\$ 932.37 ✓	
	LUMP			CO-028-FA- Remove Cable Old Guard Rail	\$ 1,263.71		\$ 1,263.71	1.00	1.00	\$		\$ 1,263.71 ✓	
	LUMP			CO-029-FA- Labor/ Equip./ Trucking- Construct Ditchline	\$ 9,580.84		\$ 9,580.84	1.00	1.00	\$		\$ 9,580.84 ✓	
	LUMP			CO-030-FA- US 6 Remove & Replace Pedestals 2-6	\$ 6,795.90		\$ 6,795.90	1.00	1.00	\$		\$ 6,795.90 ✓	
	LUMP			CO-031-FA- Repair Piers at MP 91 Ramp Bridge	\$ 6,686.84		\$ 6,686.84	1.00	1.00	\$		\$ 6,686.84 ✓	
	LUMP			CO-032-RV- Costs Assoc. w/ RR Bridge Non-Perform items	\$ 37,441.17		\$ 37,441.17	1.00	1.00	\$		\$ 37,441.17 ✓	
	LUMP			CO-033-FA- Slip Repair East End Sandusky Rvr Bridge	\$ 3,986.68		\$ 3,986.68	1.00	1.00	\$		\$ 3,986.68 ✓	
	LUMP			CO-035-FA- SR 412 Box Culvert Repair	\$ 107,485.63		\$ 107,485.63	1.00	1.00	\$		\$ 107,485.63 ✓	
	LUMP			CO-037-FA- Add. Drainage Sta 690+00 (Ext. Pipe Elim. G-Rail)	\$ 2,534.79		\$ 2,534.79	1.00	1.00	\$		\$ 2,534.79 ✓	
	LUMP			CO-038-FA- MOT for Pvmnt Repairs EB Rt Lane	\$ 2,730.88		\$ 2,730.88	1.00	1.00	\$		\$ 2,730.88 ✓	
	LUMP			CO-039-FA- Mill-Pave Shldr-Decel Ramp MP 91 EB	\$ 14,443.41		\$ 14,443.41	1.00	1.00	\$		\$ 14,443.41 ✓	
	LUMP			CO-041-FA- Extra Milling at Accel Ramp MP 91	\$ 2,119.48		\$ 2,119.48	1.00	1.00	\$		\$ 2,119.48 ✓	
	LUMP			CO-045-FA- Air Zone Speed Markers, MP 92 & 93 WB	\$ 2,702.05		\$ 2,702.05	1.00	1.00	\$		\$ 2,702.05 ✓	
	LUMP			CO-047-FA- Soil Erosion Matting Slope Repairs Areas	\$ 16,382.93		\$ 16,382.93	1.00	1.00	\$		\$ 16,382.93 ✓	
<b>TOTAL - CHANGE ORDER-EXTRA WORK</b>										\$	-	\$ 193,178.64 ✓	\$ 193,178.64 ✓
<b>TOTAL CONTRACT AMOUNT EARNED</b>										\$	3,227,294.06 ✓	\$ 11,948,513.40 ✓	\$ 15,175,807.46 ✓

Ohio Turnpike Commission  
 Estimate For Payment  
 Date Prepared: 07/01/2014

WESTBOUND RIGHT TWO (2) LANES AND SHOULDER RECONSTRUCTION  
 MILEPOST 90.0 TO MILEPOST 95.90  
 LOCATED IN SANDUSKY COUNTY  
 Award Amount \$16,083,160.20

**Contractor:** KOKOSING CONSTRUCTION CO., INC.  
 886 MCKINLEY AVE  
 COLUMBUS, OH 43222  
 614-228-1029

Contract No.: 39-13-01  
 Project No.: 39-13-01  
 Estimate No.: 17  
 Pay Period From: 11/17/2013  
 Pay Period To: 06/30/2014

Ref No.	Item No.	Contract Quantity	Unit	Item Description	Unit Price	Unit Price Labor	Unit Price Material	Change Order Quantity	Quantity Completed to Date	Amount Earned Labor	Amount Earned Material	Amount Earned to Date
---------	----------	-------------------	------	------------------	------------	------------------	---------------------	-----------------------	----------------------------	---------------------	------------------------	-----------------------



**Kokosing Construction 39-13-01 Change Orders**

<b>Change Orders EW-RV</b>	Number	Amount	Approved
Additional Maintenance of Traffic	RV 001	\$8,221.14	8/26/2013
Extra Ramp Paving at SR53 Interchange	RV 003	\$39,550.98	8/29/2013
Additional Cost Trench Drain to Slotted Drain	RV 007	\$12,766.85	11/4/2013
Catch Basin Cleanout	RV 009	\$1,848.00	7/18/2013
Additional Width for Joint Demo	RV 012	\$13,655.57	11/4/2013
Railroad Bridge Non-Performed <b>Material OTIC</b>	RV 032	\$37,441.17	2/27/2014
<b>EW-RV Total</b>			<b>\$113,483.71</b>

<b>Change Orders EW-FA</b>	Number	Amount	Approved
Misc. Force Account work for April & May	FA 002	\$13,080.10	7/16/2013
Parapet Transition Repair	FA 004	\$4,768.49	9/6/2013
Sinkhole Repair	FA 005	\$3,131.53	8/29/2013
Install Additional Basins	FA 008	\$2,134.31	9/16/2013
Assist with Soil Testing	FA 010	\$1,596.53	9/16/2013
Emergency Catch Basin Repair MP93.65 WB	FA 011	\$1,930.11	9/16/2013
Hoe-Ram Overhead Sign Foundation	FA 013	\$538.66	8/29/2013
Replace Existing 18" CMP Pipe	FA 021	\$7,182.42	11/4/2013
Ramp Cross Slope Error	FA 022	\$10,491.33	11/4/2013
Concrete Cap over 3 Shallow Culverts	FA 023	\$36,445.86	11/4/2013
Remove Existing Pavement Sandusky Bridge	FA 024	\$2,251.11	10/21/2013
MOT Month of July	FA 025	\$1,598.58	10/21/2013
Change Pipe From 12" to 15"	FA 026	\$1,900.39	2/25/2014
Slope Repair Sta 710+00	FA 027	\$932.37	2/25/2014
Remove Cable Old Guardrail	FA 028	\$1,263.71	2/27/2014
New Ditch 490 - 510	FA 029	\$9,580.84	2/25/2014
Remove/Replace US6 Pedestals	FA 030	\$6,795.90	11/4/2013
Slip Repair at East End of River Bridge	FA 033	\$3,986.68	1/17/2014
Additional Drainage 690+00	FA 037	\$2,534.79	2/25/2014
Maintenance of Traffic	FA 038	\$2,730.88	2/25/2014
Milled out Shoulder	FA 039	\$14,443.41	2/27/2014
Extra Milling at Ramp	FA 041	\$2,119.48	2/27/2014
Certified Layout	FA 045	\$2,702.05	2/25/2014
Install matting	FA 047	\$16,382.93	6/12/2014
Repair Piers at Ramp Bridge	FA 031	\$6,686.84	6/19/2014
SR 412 Box Culvert	FA 035	\$107,485.63	6/19/2014
<b>EW-FA Total</b>			<b>\$264,694.93</b>

<b>Change Orders Other</b>	Number	Amount	Approved
Fence Cut Credit	006	-\$185,000.00	9/16/2013
<b>Other Total</b>			<b>(\$185,000.00)</b>

<b>Change Orders QC</b>	Number	Amount	Approved
Additional Excavation/Time Extension 3 Days	QC 14	\$112,220.00	
Final Quantity Changes	QC 48	-\$598,416.39	
<b>QC Total</b>			<b>-\$486,196.39</b>

(\$293,017.75)      **(\$293,017.75)**

10% of Contract \$16,083,160.20      **\$1,608,316.02**

**Balance of Change Order Allowance**      **\$1,901,333.77**

**39-13-01 Property Damage**

<b>Change Orders Other</b>	Number	Amount	Approved
OTIC 1300478 11/5/13 MP 91.2 WB	34	\$3,537.19	12/31/2013
OTIC 1300326 8/4/13 MP 93.3 WB	40	\$4,648.73	12/31/2013
OTIC 1300404 9/17/13 MP 94.2 WB	46	\$18,179.74	12/31/2013
		<b>\$26,365.66</b>	



GUARDRAIL BEHIND CURBS

WHERE A CURB IS PROVIDED AT THE OUTER EDGE OF THE PAVED SHOULDER, ANY NECESSARY GUARDRAIL SHALL BE POSITIONED SO THAT THE FACE OF THE GUARDRAIL IS LOCATED FLUSH WITH THE FACE OF CURB AND THE TOP OF THE RAIL SHALL BE 31" ABOVE THE GUTTER LINE.

GUARDRAIL REPLACEMENT

NO HAZARD SHALL BE LEFT UNPROTECTED EXCEPT FOR THE ACTUAL TIME NECESSARY TO REMOVE THE EXISTING GUARDRAIL, PREPARE THE SITE, AND INSTALL NEW GUARDRAIL IN A CONTINUOUS OPERATION. THE REMOVAL OF ALL GUARDRAIL SHALL AT ALL TIMES BE AS DIRECTED BY THE CHIEF ENGINEER. NO GUARDRAIL SHALL BE REMOVED UNTIL THE REPLACEMENT MATERIAL IS ON THE SITE, READY FOR INSTALLATION. FAILURE TO COMPLY WITH THIS REQUIREMENT SHALL BE DEEMED SUFFICIENT CAUSE TO ORDER WORK SUSPENDED UNTIL SUCH TIME AS THE CHIEF ENGINEER IS ASSURED OF COMPLIANCE.

CONNECTION BETWEEN EXISTING AND PROPOSED GUARDRAIL

WHEN IT IS NECESSARY TO SPLICE PROPOSED GUARDRAIL TO EXISTING GUARDRAIL, ONLY THE EXISTING GUARDRAIL SHALL BE CUT, DRILLED, OR PUNCHED. THE CONNECTION SHALL BE MADE USING A "W-BEAM RAIL SPLICE" AS SHOWN ON ODOT STANDARD CONSTRUCTION DRAWING MGS-1.1. THE TRANSITION IN HEIGHT WILL OCCUR IN THE LAST TWENTY FIVE (25) FEET OF EXISTING GUARDRAIL. PAYMENT SHALL BE INCLUDED IN THE CONTRACT PRICE FOR THE RESPECTIVE GUARDRAIL ITEMS.

ITEM 202 - CONCRETE BARRIER REMOVED, AS PER PLAN

IN ADDITION TO THE BARRIER REMOVAL, ITEM 202 - CONCRETE BARRIER REMOVED, AS PER PLAN SHALL INCLUDE ALL LABOR AND MATERIALS NEEDED TO PROVIDE A WEATHER TIGHT CAP ON THE EXISTING SP625-CONDUIT WITH MULTI-CELL INTERDUCT. PAYMENT FOR ALL MATERIALS, LABOR, EQUIPMENT AND INCIDENTALS SHALL BE INCLUDED IN THE UNIT PRICE BID PER FOOT FOR ITEM 202 - CONCRETE BARRIER REMOVED, AS PER PLAN.

ITEM SP 536 - CONCRETE WEATHERPROOFING, BARRIERS AND PARAPETS

ALL NEW AND EXPOSED CONCRETE BARRIER SURFACES SHALL RECEIVE A COATING PER SP 536. THE CONCRETE WEATHERPROOFING COATING SHALL ALSO BE USED AS THE CURE COAT. THE FINAL APPEARANCE SHALL BE UNIFORM AND CONSISTENT AND SHALL CONFORM TO ALL PROVISIONS IN SP 536. NO ADDITIONAL PAYMENT SHALL BE MADE IF THE CONTRACTOR IS REQUIRED TO APPLY ADDITIONAL COATINGS TO ACHIEVE A UNIFORM APPEARANCE. THE MATERIAL SHALL BE APPLIED PER THE MANUFACTURER'S RECOMMENDATIONS. ALL LABOR, EQUIPMENT, AND MATERIALS NECESSARY TO COMPLETE THIS WORK SHALL BE INCLUDED IN THE BID PRICE PER SQUARE YARD FOR SP 536 - CONCRETE WEATHERPROOFING, BARRIERS AND PARAPETS.

ITEM 423 - CRACK SEALING, TYPE 1

THIS ITEM SHALL CONSIST OF FURNISHING ALL LABOR, MATERIALS, AND EQUIPMENT NECESSARY TO APPLY CRACK SEALANT TO THE PROPOSED LONGITUDINAL PAVEMENT JOINTS BETWEEN LANES, TRANSVERSE JOINTS AND/OR AREAS OF CRACKING AS DIRECTED BY THE CHIEF ENGINEER.

ALL MATERIALS SHALL CONFORM TO 705.04.

THE FOLLOWING CONTINGENCY QUANTITY HAS BEEN INCLUDED IN THE GENERAL SUMMARY FOR USE AS DIRECTED BY THE ENGINEER FOR THE WORK DESCRIBED ABOVE:

ITEM 423 - CRACK SEALING, TYPE 1 23300 LB

ITEM SP 403 - ASPHALT CONCRETE LEVELING COURSE, PG 70-22

THE FOLLOWING CONTINGENCY QUANTITY FOR ASPHALT CONCRETE LEVELING COURSE HAS BEEN INCLUDED IN THE PLANS FOR USE BY THE CHIEF ENGINEER FOR ADJUSTMENTS TO THE ROADWAY PROFILE IN ORDER TO ENSURE THAT THERE IS A SMOOTH TRANSITION BETWEEN THE PROPOSED SURFACE AND INTERMEDIATE ASPHALT COURSES AND THE PROPOSED APPROACH SLABS. THE LEVELING COURSE SHALL BE PLACED PRIOR TO THE INSTALLATION OF ANY ASPHALT INTERMEDIATE OR SURFACE COURSE TO ADJUST THE PROFILE OF THE ROADWAY. THE THICKNESS OF THIS ASPHALT CONCRETE LEVELING COURSE IS ANTICIPATED TO VARY FROM 0" MINIMUM TO 1" MAXIMUM WITHIN SEVENTY FIVE (75) FEET OF THE APPROACH SLABS.

ALL EQUIPMENT, MATERIALS AND LABOR REQUIRED TO PERFORM THE WORK OUTLINED ABOVE SHALL BE INCLUDED IN THE UNIT BID PRICE FOR ITEM SP 403 - ASPHALT CONCRETE LEVELING COURSE, PG 70-22.

THE FOLLOWING ESTIMATED QUANTITY HAS BEEN CARRIED TO THE GENERAL SUMMARY FOR USE AS DIRECTED BY THE CHIEF ENGINEER.

ITEM SP 403 - ASPHALT CONCRETE LEVELING COURSE, PG 70-22 136 CU. YDS.

ITEM 622 - CONCRETE BARRIER, TYPE B-50, AS PER PLAN

ITEM 622 - CONCRETE BARRIER, TYPE B-50 AS PER PLAN SHALL HAVE A NEW JERSEY STYLE FACE AND SHALL BE CONSTRUCTED IN ACCORDANCE WITH OTIC STANDARD DRAWING CBR-3 AND SECTION 622 OF THE SPECIFICATIONS.

IN LIEU OF THE CURING COMPOUNDS SPECIFIED IN SECTION 622.07 OF THE SPECIFICATIONS, THE CONCRETE BARRIER SHALL BE CURED USING THE MATERIAL SPECIFIED IN SP 536. THE SP 536 MATERIAL APPLICATION SHALL BE AS PER THE RECOMMENDATIONS OF THE MANUFACTURER. THE CONTRACTOR SHALL SUBMIT TECHNICAL DATA FOR THE SP 536 MATERIAL TO THE ENGINEER FOR APPROVAL. THE COST OF CURING THE WALL AND BARRIER SHALL BE INCLUDED IN THE BID PRICE FOR SP 536, CONCRETE WEATHERPROOFING, BARRIERS AND PARAPETS. ALL OTHER PROVISIONS OF SECTION 622 OF THE SPECIFICATIONS SHALL APPLY.

! THE SP625-CONDUIT WITH MULTI-CELL INTERDUCT AND SP625A-JUNCTION BOX, POLYMER CONCRETE, 18"X8"X8" SHALL NOT BE REINSTALLED. THE CONDUIT AT THE PLACE WHERE THE CONCRETE BARRIER IS SAW BUT SHALL BE PLUGGED PRIOR TO REPLACING THE NEW CONCRETE BARRIER.

ITEM 622 - CONCRETE BARRIER, SINGLE SLOPE, TYPE D, (42"), AS PER PLAN

ITEM 622 - CONCRETE BARRIER, SINGLE SLOPE, TYPE D, (42"), AS PER PLAN SHALL BE CONSTRUCTED IN ACCORDANCE WITH ODOT STANDARD DRAWINGS RM-4.5 AND RM-4.6, OTIC STANDARD DRAWINGS CBR-2, CBR-3, CBR-5 AND CBR-6 AND SECTION 622 OF THE SPECIFICATIONS.

THE CONCRETE FOUNDATION AND AGGREGATE BASE FOR THIS BARRIER WILL BE CONSTRUCTED AS SHOWN IN OTIC STANDARD DRAWING CBR-2.

IN LIEU OF THE CURING COMPOUNDS SPECIFIED IN SECTION 622.07 OF THE SPECIFICATIONS, THE CONCRETE BARRIER SHALL BE CURED USING THE MATERIAL SPECIFIED IN SP 536A. THE SP 536 MATERIAL APPLICATION SHALL BE AS PER THE RECOMMENDATIONS OF THE MANUFACTURER. THE CONTRACTOR SHALL SUBMIT TECHNICAL DATA FOR THE SP 536 MATERIAL TO THE ENGINEER FOR APPROVAL. THE COST OF CURING THE WALL AND BARRIER SHALL BE INCLUDED IN THE BID PRICE FOR SP 536, CONCRETE WEATHERPROOFING, BARRIERS AND PARAPETS. ALL OTHER PROVISIONS OF SECTION 622 OF THE SPECIFICATIONS SHALL APPLY.

NO HAZARD SHALL BE LEFT UNPROTECTED EXCEPT FOR THE ACTUAL TIME NECESSARY TO REMOVE EXISTING GUARDRAIL, EXCAVATE FOR AND INSTALL THE BARRIER, CURE THE BARRIER FOR 3 DAYS, PRIOR TO SEALING OF CONCRETE SURFACES, AND RECONNECT THE EXISTING OR REBUILT GUARDRAIL. THE REMOVAL OF GUARDRAIL SHALL AT ALL TIMES BE AS DIRECTED BY THE CHIEF ENGINEER. NO GUARDRAIL SHALL BE REMOVED UNTIL THE REPLACEMENT MATERIAL IS READY FOR INSTALLATION. FAILURE TO COMPLY WITH THIS REQUIREMENT SHALL BE DEEMED SUFFICIENT CAUSE TO ORDER WORK SUSPENDED ON THIS PROJECT UNTIL SUCH TIME THE CHIEF ENGINEER IS ASSURED OF SAID COMPLIANCE.

THE COST OF THE CONCRETE FOUNDATION, AGGREGATE BASE, DEFORMED STEEL BARS, JOINT AND THE BARRIER TRANSITION SHALL BE INCIDENTAL TO ITEM 622 - CONCRETE BARRIER, SINGLE SLOPE, TYPE D, AS PER PLAN. THE BARRIER TRANSITION SHALL BE CONSTRUCTED IN ACCORDANCE WITH ODOT STANDARD DRAWING RM-4.6. PAYMENT FOR ALL MATERIALS AND LABOR SHALL BE INCLUDED IN THE UNIT PRICE BID PER FOOT FOR ITEM 622 - CONCRETE BARRIER, SINGLE SLOPE, TYPE D, (42"), AS PER PLAN.

ITEM 606 - BRIDGE TERMINAL ASSEMBLY, TYPE 1, USING LONG STEEL POSTS, AS PER PLAN

INSTALLATION SHALL BE AT THE LOCATIONS SPECIFIED IN THE PLANS AS AN ATTACHMENT TO AN EXISTING CONCRETE BARRIER TO REMAIN. THE EXISTING HOLES FOR THE ATTACHMENT BOLTS IN THE BARRIER TRANSITION SECTION WILL BE FILLED WITH NON-SHRINK GROUT. NEW HOLES WILL THEN BE DRILLED AT LOCATIONS SHOWN ON ODOT STANDARD DRAWING MGS-3.1.

PAYMENT FOR THE ABOVE WORK SHALL BE MADE AT THE UNIT PRICE BID PER EACH FOR ITEM 606, BRIDGE TERMINAL ASSEMBLY, TYPE 1, USING LONG STEEL POSTS, AS PER PLAN, EACH, AND SHALL INCLUDE ALL LABOR, TOOLS, EQUIPMENT AND MATERIALS NECESSARY TO CONSTRUCT A COMPLETE AND FUNCTIONAL BRIDGE TERMINAL ASSEMBLY SYSTEM.

ITEM 606 - BRIDGE TERMINAL ASSEMBLY, TYPE 2, USING LONG STEEL POSTS, AS PER PLAN

INSTALLATION SHALL BE AT THE LOCATIONS SPECIFIED IN THE PLANS AS AN ATTACHMENT TO AN EXISTING CONCRETE BARRIER TO REMAIN. THE EXISTING HOLES FOR THE ATTACHMENT BOLTS IN THE BARRIER TRANSITION SECTION WILL BE FILLED WITH NON-SHRINK GROUT. NEW HOLES WILL THEN BE DRILLED AT LOCATIONS SHOWN ON ODOT STANDARD DRAWING MGS-3.2.

PAYMENT FOR THE ABOVE WORK SHALL BE MADE AT THE UNIT PRICE BID PER EACH FOR ITEM 606, BRIDGE TERMINAL ASSEMBLY, TYPE 2, USING LONG STEEL POSTS, AS PER PLAN, EACH, AND SHALL INCLUDE ALL LABOR, TOOLS, EQUIPMENT AND MATERIALS NECESSARY TO CONSTRUCT A COMPLETE AND FUNCTIONAL BRIDGE TERMINAL ASSEMBLY SYSTEM.

ITEM 606 - ANCHOR ASSEMBLY, MGS TYPE E, AS PER PLAN

THIS ITEM SHALL CONSIST OF FURNISHING AND INSTALLING ANY OF THE GUARDRAIL END TERMINALS FOR TYPE MGS GUARDRAIL AS LISTED ON ODOT ROADWAY ENGINEERING'S WEB PAGE UNDER ROADSIDE SAFETY DEVICES FOR APPROVED GUARDRAIL END TREATMENTS. INSTALLATION SHALL BE AT THE LOCATIONS SPECIFIED IN THE PLANS, IN ACCORDANCE WITH THE MANUFACTURER'S SPECIFICATIONS USING LONG STEEL POSTS. INSTALL THIS ASSEMBLY AT A 25:1 MAXIMUM FLARE RATE SO THAT THE INSIDE EDGE OF THE IMPACT HEAD IS NO CLOSER THAN 6 INCHES FROM THE OUTER EDGE OF THE SHOULDER.

THE COMMISSION SHALL SUPPLY A TYPE G REFLECTIVE SHEETING PER CMS 730.19 MOUNTED ON A PIECE OF ALUMINUM. THE CONTRACTOR SHALL RIVET THE ALUMINUM TO THE FACE OF THE TYPE E IMPACT HEAD.

REFER TO THE MANUFACTURER'S INSTRUCTIONS REGARDING THE INSTALLATION OF, AND THE GRADING AROUND THE FOUNDATION TUBES AND GROUND STRUT. THE TOP OF ANY FOUNDATION TUBE SHOULD BE LESS THAN 4 INCHES ABOVE THE GROUND. THE PLACEMENT OF THE FOUNDATION TUBES SHOULD BE AN APPROPRIATE DEPTH BELOW THE LEVEL LINE IN ORDER TO MAINTAIN THE FINISHED GUARDRAIL HEIGHT OF 31 INCHES FROM THE EDGE OF THE SHOULDER.

ON-SITE GRADING IS REQUIRED IF THE TOP OF THE FOUNDATION TUBES OR TOP OF THE GROUND STRUT DOES PROJECT MORE THAN 4 INCHES ABOVE THE GROUND LINE. PAYMENT FOR THE ABOVE WORK SHALL BE MADE AT THE UNIT PRICE BID FOR ITEM 606, ANCHOR ASSEMBLY, MGS TYPE E, AS PER PLAN, AND SHALL INCLUDE ALL LABOR, TOOLS, EQUIPMENT AND MATERIALS NECESSARY TO CONSTRUCT A COMPLETE AND FUNCTIONAL ANCHOR ASSEMBLY SYSTEM, INCLUDING ALL RELATED TRANSITIONS, REFLECTIVE SHEETING, HARDWARE, GRADING, EMBANKMENT AND EXCAVATION NOT SEPARATELY SPECIFIED, AS REQUIRED BY THE MANUFACTURER.

Drawing File: c:\2013\20131115\roadway\sheets\20131115GND02.dwg Layout: Model  
Date: 06/14/2016 Time: 9:58 am Path: -15727653  
Technician: pfrj

1	ADDENDUM NO. 1	PJF	10/14/16
-	-	-	-
NO.	REVISIONS	BY	DATE

**OHIO TURNPIKE AND INFRASTRUCTURE COMMISSION**  
GENERAL NOTES

M.P. 90.00 TO M.P. 95.90 SANDUSKY COUNTY

**GPD GROUP**  
Glenn, Pyle, Selinger, Gamble & DeHaven, Inc. 330-572-2100  
520 South Main Street, Suite 2531, Akron, Ohio 44311 Fax 330-572-2101

DESIGNED:	CLH	CHECKED:	PJF	DATE:	08/26/16
DRAWN:	CLH	IN CHARGE:	MRG	SCALE:	N.T.S.

PROJECT NO. 39-17-01 SHEET 10 OF 272

**ITEM 202 - GUARDRAIL REMOVED FOR SALVAGE, AS PER PLAN**

EXISTING GUARDRAIL, PLASTIC BLOCKS, THRIE BEAMS AND POSTS THAT ARE IN GOOD CONDITION WILL BE REMOVED, SALVAGED AND DELIVERED TO THE ELMORE MAINTENANCE BUILDING AT MP ???. THE SALVAGED MATERIALS ARE TO BE OFFLOADED AND PLACED AT THE DIRECTION OF OTIC MAINTENANCE. OTIC WILL SUPPLY FORKLIFT AND OPERATOR.

THE TABLE BELOW SHOWS THE APPROXIMATE LOCATIONS AND LENGTHS. THE ACTUAL LOCATIONS AND LENGTHS WILL BE DETERMINED BY THE ENGINEER PRIOR TO ANY GUARDRAIL REMOVAL. PAYMENT FOR ALL LABOR AND INCIDENTALS FOR THIS WORK SHALL BE INCLUDED IN THE UNIT PRICE PER FOOT BID FOR ITEM 202, GUARDRAIL REMOVED FOR SALVAGE, AS PER PLAN

EASTBOUND MILE POST LOCATIONS (APPROXIMATE)	QTY.	DESCRIPTION	LENGTH (FT.)
90.2	11	GUARDRAIL PANELS	137.50
90.3	7	GUARDRAIL PANELS	87.50
90.5	30	GUARDRAIL PANELS	375.00
90.6	40	GUARDRAIL PANELS	500.00
90.7	5	GUARDRAIL PANELS	62.50
90.8	15	GUARDRAIL PANELS	187.50
91.0	6	GUARDRAIL PANELS	75.00
92.7	5	GUARDRAIL PANELS	62.50
93.3	17	GUARDRAIL PANELS	212.50
93.5	14	GUARDRAIL PANELS	175.00
94	21	GUARDRAIL PANELS	262.50
94.2	5	GUARDRAIL PANELS	62.50
94.6	11	GUARDRAIL PANELS	137.50
95	17	GUARDRAIL PANELS	212.50
95.3	15	GUARDRAIL PANELS	187.50
95.6	10	GUARDRAIL PANELS	125.00
95.8	17	GUARDRAIL PANELS	212.50
<b>TOTAL CARRIED TO GENERAL SUMMARY</b>	<b>246</b>	<b>GUARDRAIL REMOVED FOR SALVAGE, AS PER PLAN</b>	<b>3075.00</b>
<b>INCIDENTAL</b>	<b>ALL</b>	<b>PLASTIC G/R BLOCKS,(PART #24903)</b>	
<b>INCIDENTAL</b>	<b>5</b>	<b>ELEMENT G/R TRANSITION THRIE BEAM (PART #24115)</b>	
<b>INCIDENTAL</b>	<b>100</b>	<b>G/R POST (PART #24510)</b>	

**ITEM SP604 - CATCH BASIN, NO. CB-1**

EXISTING TOP OF GRATE ELEVATIONS FOR ALL STORM STRUCTURES SHALL BE FIELD MEASURED AND RECORDED BY THE CONTRACTOR PRIOR TO REMOVAL OF THE STRUCTURES.

PROPOSED CATCH BASINS SHALL BE INSTALLED AT APPROXIMATELY THE SAME TOP OF GRATE ELEVATIONS AS EXISTING WITH THE INVERT ELEVATIONS SHOWN IN THE PLANS. REPLACE OUTLET PIPES AS SHOWN IN PLANS OR AS DIRECTED BY ENGINEER. PROPOSED DRAINAGE PIPES SHALL BE CONNECTED TO EXISTING PIPES USING MASONRY COLLAR AS PER ODOT STANDARD DRAWING DM-1.1 WHEN DIRECTED BY THE CHIEF ENGINEER. ALL COSTS ASSOCIATED WITH THIS WORK SHALL BE INCLUDED IN THE UNIT PRICE PER EACH FOR ITEM SP604 - CATCH BASIN, NO. CB-1.

**ITEM 611 - PRECAST REINFORCED CONCRETE OUTLET, AS PER PLAN**

IN ADDITION TO THE REQUIREMENTS OF ITEM 611 AND STANDARD DRAWING DM-1.1, THE BID PRICE FOR THIS ITEM SHALL INCLUDE THE PROVISION AND INSTALLATION OF THE ITEM 601 - TIED CONCRETE BLOCK MAT, TYPE 1 AS SHOWN ON STANDARD DRAWING DM-1.1.

**ITEM 601 - ROCK CHANNEL PROTECTION**

THE FOLLOWING QUANTITIES HAVE BEEN CARRIED TO THE GENERAL SUMMARY FOR USE AS DIRECTED BY THE CHIEF ENGINEER TO ADDRESS CHANNEL EROSION PROBLEMS WHICH MAY BECOME APPARENT DURING CONSTRUCTION.

ITEM 601 - ROCK CHANNEL PROTECTION, TYPE B WITH FILTER 200 C.Y.  
 ITEM 601 - ROCK CHANNEL PROTECTION, TYPE C WITH FILTER 200 C.Y.

**CONNECTIONS TO PIPES OF DISSIMILAR MATERIALS**

PIPES OF DISSIMILAR MATERIALS OR INCOMPATIBLE ENDS SHALL BE JOINED USING A CONCRETE COLLAR AS PER STANDARD CONSTRUCTION DRAWING DM-1.1

**ITEM 604 - CATCH BASIN ADJUSTMENTS, GRATES AND CASTINGS, AS PER PLAN**

THE FOLLOWING CONTINGENCY ITEMS HAVE BEEN INCLUDED IN THE ESTIMATED QUANTITIES ON SHEET 108 FOR USE IN ADJUSTING, REPAIRING, AND/OR REBUILDING SHOULDER CATCH BASINS. FOR CATCH BASINS ADJUSTED TO GRADE THE CONTRACTOR SHALL REBUILD FROM THE TOP OF PRECAST STRUCTURE TO THE BOTTOM OF THE CASTING AT THE EXISTING GRADE. THE USE OF BRICK TO REBUILD THE CATCH BASIN SHALL BE PROHIBITED. THE CONTRACTOR SHALL SAWCUT PAVEMENT AROUND THE EXISTING CATCH BASIN, A MINIMUM OF 12" AROUND THE CASTING AND REMOVE THE CASTING AND SAWCUT ASPHALT CONCRETE. THE CONTRACTOR SHALL FORM AND POUR, USING CLASS "MS" CONCRETE, TO REBUILD THE CATCH BASIN TO SECURE CONCRETE TO THE EXISTING PRECAST STRUCTURE, THE CONTRACTOR SHALL INSTALL #4 DOWEL BARS, SPACED 12" O/C (3 PER SIDE UNLESS DIRECTED OTHERWISE BY THE CHIEF ENGINEER) IN ACCORDANCE WITH ITEMS 509 AND 510. THE DOWEL BARS SHALL BE IMBEDDED AT LEAST 6" INTO THE EXISTING PRECAST STRUCTURE AND SECURED WITH NON-SHRINK NON-METALLIC GROUT THAT CONFORMS TO SP 952. THE CONTRACTOR SHALL USE FORMS SIZED TO CONFORM TO THE INTERIOR OF THE CATCH BASIN, AND THAT WILL INSURE A SMOOTH INTERIOR FINISH. ALL OTHER CONCRETE SURFACES SHALL HAVE A BROOMED FINISH. AFTER THE CASTING IS SET TO THE FINAL GRADE, THE AREA AROUND THE ADJUSTED CATCH BASIN CASTING SHALL BE BACK FILLED WITH CLASS "MS" CONCRETE TO THE EXISTING SURFACE. FOR CATCH BASINS ADJUSTED TO GRADE WITH DISTANCES FROM THE TOP OF THE PRECAST STRUCTURE TO THE BOTTOM OF THE CASTING THAT ARE GREATER THAN 12", THE SAME METHOD SHALL BE USED TO REBUILDING THE CATCH BASINS TO GRADE. FOR CATCH BASINS ADJUSTED TO GRADE WITH DISTANCES FROM THE TOP OF THE PRECAST STRUCTURE TO THE BOTTOM OF THE CASTING THAT ARE LESS THAN 4", THE SAME METHOD SHALL BE USED TO REBUILDING THE CATCH BASINS TO GRADE, EXCEPT THAT NO FORMS OR DOWELS ARE REQUIRED.

A CONTINGENCY QUANTITY OF CATCH BASIN GRATE AND CASTING, AS PER PLAN, HAS BEEN INCLUDED FOR USE AS DIRECTED BY THE CHIEF ENGINEER. THE REPLACEMENT GRATE AND CASTING SUPPLIED SHALL BE HEAVY DUTY.

ALL CONCRETE, DOWELS, DOWEL HOLES, GROUT, SAW CUTTING, LABOR, EQUIPMENT, MATERIALS, AND INCIDENTALS NECESSARY TO COMPLETE THE ABOVE MENTIONED WORK SHALL BE INCLUDED IN THE BID PRICE PER EACH - ITEM 604 - CATCH BASIN ADJUSTED TO GRADE, 4" OR LESS, AS PER PLAN AND ITEM 604 - CATCH BASIN GRATE AND CASTING, AS PER PLAN.

OTIC STANDARD DRAWINGS CB-1, CB-2, CB-3, CB-4, AND CB-5 ARE PROVIDED FOR INFORMATION AS TO THE TYPES OF BASINS THAT MAY NEED ADJUSTMENT.

**ITEM 837 - LINER PIPE, AS PER PLAN**

LINER PIPE WRITTEN PROCEDURE SHALL COMPLY WITH MANUFACTURER'S RECOMMENDATIONS AND INCLUDE SLIP RAIL SYSTEM, PHASING OF GROUTING ANNULAR SPACE, LOCATIONS OF GROUT PORTS, EQUIPMENT TO BE USED, GUAGES AND PRESSURE MONITORING DEVICES ON PUMPS, ETC. A PRE-INSTALLATION MEETING WILL BE HELD AFTER SUBMITTAL APPROVAL AND PRIOR TO COMMENCING THIS WORK. THE LINER MANUFACTURER'S REPRESENTATIVE MUST BE ON SITE DURING GROUTING OPERATIONS.

SUPPLEMENTAL SPECIFICATION 837 LINER PIPE SHALL BE AMENDED AS FOLLOWS: 837.02 MATERIALS. THE LINER PIPE MATERIAL SHALL BE LIMITED TO 707.02, 707.42, SS937 OR SS938.

837.03 INSTALLATION. INSTALLATION SHALL BE ADHERED TO WITH THE FOLLOWING ADDITIONS: E. CONTRACTOR SHALL SUBMIT A WRITTEN INSTALLATION PROCEDURE FOR THE LINER PIPE FOR APPROVAL. THE CONTRACTOR SHALL ALSO PROVIDE: METHOD OF HOLDING THE LINER PIPE IN PLACE DURING THE GROUTING PROCEDURE TO INSURE THE LINER PIPE DOES NOT FLOAT; PROCEDURE FOR CONNECTING ALL LATERAL PIPES; A GROUT MIX DESIGN; THE GROUTING PROCEDURE SHALL BE APPROVED BY THE MANUFACTURE; THE CONTRACTOR SHALL SUPPLY AT LEAST FIVE VERIFIABLE PROJECTS WITH THE ENGINEER'S CONTACT NAME, ADDRESS AND PHONE NUMBER FOR EACH PROJECT WITH A SIMILAR SCOPE.

F. CONTRACTOR SHALL BE RESPONSIBLE FOR VERIFYING THAT THE SPECIFIED PIPE WILL FIT INTO THE EXISTING CONDUIT AND VERIFY THE LENGTH PRIOR TO ORDERING THE LINER PIPE.

G. ALL EXISTING LATERAL PIPES OR UNDERDRAIN CONNECTIONS SHALL BE CONNECTED TO THE PROPOSED LINER PIPE. THESE CONNECTIONS MAY OR MAY NOT BE SHOWN OR SPECIFIED IN THE PLANS. THE CONTRACTOR SHALL VERIFY THE NUMBER, SIZE AND LOCATION OF ALL CONNECTING PIPES. LATERAL PIPES MAY NEED TO BE TRIMMED IN ORDER TO INSTALL THE LINER PIPE.

837.05 BASIS OF PAYMENT. PAYMENT FOR THE ACCEPTED QUANTITIES WILL BE MADE AT THE CONTRACT UNIT PRICE. PAYMENT REPRESENTS FULL COMPENSATION FOR ALL LABOR, MATERIALS, TOOLS, EQUIPMENT AND OTHER INCIDENTALS NECESSARY TO COMPLETE THE ITEM OF WORK DESCRIBED IN THE SUPPLEMENTAL SPECIFICATION 837 LINER PIPE AND ABOVE.

**SPECIAL - SECURING MANHOLE LID**

ITEM SPECIAL - SECURING MANHOLE LID, SHALL BE USED TO SAFELY SECURE THE MANHOLE LID TO THE MANHOLE CASTING FOR TEMPORARY TRAFFIC CONTROL PURPOSES. THE MANHOLE LIDS ARE LOCATED IN THE MEDIAN/SHOULDER WITHIN PROJECT LIMITS AT LOCATIONS SHOWN IN ROADWAY SUBSUMMARY. SECURING OF MANHOLE LID SHALL CONSIST OF THE FOLLOWING: THE CONTRACTOR SHALL REMOVE THE MANHOLE LID AND REMOVE ANY DEBRIS FROM THE CASTING LIP THAT THE MANHOLE LID RESTS ON; THE CONTRACTOR SHALL RESEAT THE MANHOLE LID AND WELD THE LID TO THE FRAME; PRIOR TO COMPLETION OF THE PROJECT THE CONTRACTOR SHALL REMOVE THE WELDS SECURING THE LID TO THE FRAME SO THAT CONTINUED ACCESS TO THE MANHOLE CAN BE MAINTAINED.

WELDING THE LID TO THE FRAME SHALL CONSIST OF FOUR 10" LONG FILLET WELDS LOCATED AT EACH QUADRANT OF THE MANHOLE. REMOVAL OF THE WELDS SHALL BE ACCOMPLISHED BY EITHER GRINDING OR AIR ARCING AND IN SUCH A MANNER SO AS NOT TO DAMAGE OR IMPAIR THE INTEGRITY OF THE LID AND/OR CASTING.

ALL LABOR, EQUIPMENT, MATERIALS AND INCIDENTALS NEEDED TO COMPLETE THE ABOVE MENTIONED WORK SHALL BE INCLUDED IN THE UNIT BID PRICE PER EACH - ITEM SPECIAL - SECURING MANHOLE LID.

**PAVEMENT REPAIRS**

THE FOLLOWING QUANTITIES, ARE INCLUDED AS A CONTINGENCY, TO BE USED AS DIRECTED BY THE CHIEF ENGINEER FOR PAVEMENT REPAIR MEASURES TO MAINTAIN TRAFFIC. CONTRACTOR SHALL FOLLOW ODOT CMS FOR ITEM 255, EXCEPT THAT PLACEMENT OF THE DOWEL BARS ARE NOT REQUIRED, CONCRETE SHALL BE CLASS FS, AND MAINTENANCE OF TRAFFIC COSTS INCURRED BY THE CONTRACTOR FOR THESE CURRENTLY UNKNOWN AND UNDEFINED PAVEMENT REPAIRS WILL BE COMPENSATED ON A TIME AND MATERIALS BASIS AS APPROVED BY THE CHIEF ENGINEER. DEPTH FOR PARTIAL REMOVAL WILL BE 5" (+/-) ASPHALT ON CONCRETE TO THE SURFACE OF THE CONCRETE BASE. REPLACEMENT MATERIALS ARE SPECIFIED IN 251.03 UNIT PRICES BID FOR THE ITEMS IMMEDIATELY BELOW SHALL NOT INCLUDE MAINTENANCE OF TRAFFIC COSTS.

**PRE-PLACEMENT TESTING/PRE-PLACEMENT MEETING**

IN COORDINATION WITH THE TESTING LAB, THE SUPPLIER SHALL BATCH A MINIMUM OF THREE (3) CUBIC YARDS OF CONCRETE USING A CLASS FS CONCRETE MIX DESIGN TO BE USED FOR PRE-PLACEMENT FIELD AND LABORATORY TESTING. THE CONCRETE SHALL BE DELIVERED TO THE JOB SITE TO SIMULATE JOB CONDITIONS, AS DIRECTED BY THE CHIEF ENGINEER. THE SIMULATION OF JOB CONDITIONS ARE TO INCLUDE BUT NOT LIMITED TO AIR TEMPERATURE DURING PLACEMENT AND CURE PERIOD WHICH WOULD ADVERSELY AFFECT THE CONCRETE STRENGTH HINDERING THE OPENING OF CLOSED LANES TO TRAFFIC. THE CONTRACTOR AND CONCRETE SUPPLIER WILL BE REQUIRED TO PERFORM THIS TEST POUR IN THE OVERNIGHT HOURS CONSISTENT WITH LANE CLOSURE RESTRICTIONS WHEN THE FULL DEPTH RIGID PAVEMENT REPLACEMENT WORK WILL TAKE PLACE. UPON COMPLETION OF THE ONSITE MATERIAL TESTING AT THE TIME OF DELIVERY, THE CONCRETE SHALL BE PLACED IN A SET OF FORMS TO SIMULATE THE RIGID FULL DEPTH RIGID PAVEMENT REPLACEMENT CONDITIONS. THE CONCRETE SHALL BE PLACED, CONSOLIDATED AND FINISHED AS WOULD BE EXPECTED FOR THE ACTUAL PAVEMENT REPLACEMENT WORK. THE SLAB IS TO BE CURED IN ACCORDANCE WITH THE ITEM 255 SPECIFICATIONS AND TESTING LAB BEAMS (6) AND CYLINDERS (6) SHALL BE CURED WITH THE SAME CONDITIONS AS THE TEST SLAB. THE CONTRACTOR SHALL DISPOSE OF ALL CONCRETE WASTE AND TEST SLAB OFF OF THE TURNPIKE RIGHT-OF-WAY UNLESS OTHERWISE APPROVED BY THE CHIEF ENGINEER. THE COST FOR COMPLYING WITH THIS REQUIREMENT SHALL BE IN ACCORDANCE WITH "BASIS OF PAYMENT."

SLUMP, AIR, YIELD AND TEMPERATURE SHALL BE CHECKED AT THE PLANT AND UPON ARRIVAL AT THE SITE. SIX (6) CYLINDERS AND SIX (6) BEAMS WILL BE MOLDED FOR PERIODIC TESTING AFTER FINAL PLACEMENT TO DETERMINE WHEN THE REQUIRED STRENGTH IS ACHIEVED. AT A MINIMUM, THE CONTRACTOR AND CONCRETE SUPPLIER IS TO PROVIDE A CLASS FS MIX DESIGN AND PERFORMANCE STANDARDS OF ACHIEVING A MODULUS OF RUPTURE 400 POUNDS PER SQUARE INCH WITHIN 4 HOURS OF FINAL PLACEMENT.

AS DIRECTED BY THE CHIEF ENGINEER, AN ADDITIONAL THREE (3) CUBIC YARD BATCHES SHALL BE PROVIDED BY THE SUPPLIER UNTIL THE CONCRETE MEETS SLUMP, AIR, YIELD, TEMPERATURE AND FLEXURAL STRENGTH REQUIREMENTS OF MODULUS OF RUPTURE OF 400 PSI TO ALLOW TRAFFIC TO USE THE REPAIRED AREA. THE OTIC SHALL PAY FOR ONLY ONE (1) TEST POUR OF 3 CUBIC YARDS OF FS CONCRETE. THE CONTRACTOR WILL BE REQUIRED TO CONTINUE PROVIDING TEST POURS UNTIL THE SPECIFICATIONS ARE MET HEREIN.

A PRE-PLACEMENT MEETING SHALL BE SCHEDULED AFTER REVIEW OF THE CONTRACTOR'S SUBMITTED PLACEMENT PROCEDURES AND PRIOR TO EACH MAJOR PLACEMENT. PRIOR TO THE PRE-PLACEMENT MEETING, AN APPROVED TEST MIX WITH CYLINDER BREAKS AT SEVEN (7) AND TWENTY-EIGHT (28) DAYS MUST BE PROVIDED.

ALL EQUIPMENT, MATERIALS AND LABOR REQUIRED TO PERFORM THE WORK OUTLINED ABOVE SHALL BE INCLUDED IN THE UNIT BID PRICE FOR ITEM 255 - FULL DEPTH REMOVAL AND RIGID REPLACEMENT.

THE FOLLOWING QUANTITIES HAVE BEEN CARRIED TO THE GENERAL SUMMARY FOR USE AS DIRECTED BY THE CHIEF ENGINEER.

ITEM 251 - PARTIAL DEPTH PAVEMENT REPAIR 544 SQ. YD.  
 ITEM 252 - FULL DEPTH PAVEMENT SAWING 160 FT.  
 ITEM 255 - FULL DEPTH PAVEMENT REMOVAL AND RIGID REPLACEMENT 512 SQ. YD.

Drawing File: C:\2013\20131515\roadway\sheet\20131515GN003.dwg Layout: Model  
 Date: Oct 12, 2016 Time: 9:52 am Path: -1527853

Technician: chuff

1	ADDENDUM NO. 1	CLH	10/12/16
-	-	-	-
NO.	REVISIONS	BY	DATE
<b>OHIO TURNPIKE AND INFRASTRUCTURE COMMISSION</b>			
<b>GENERAL NOTES</b>			
M.P. 90.00 TO M.P. 95.90		SANDUSKY COUNTY	
<b>GPD GROUP</b> <small>Glenn, Pyle, Schuman, Burns &amp; DeHaven, Inc.</small> 520 South Main Street, Suite 2531, Akron, Ohio 44311 Fax 330-572-2100			
DESIGNED:	CLH	CHECKED:	PJF
DATE:	08/26/16	IN CHARGE:	MRG
DRAWN:	CLH	SCALE:	N.T.S.
<b>PROJECT NO. 39-17-01 SHEET 11 OF 272</b>			

CROSSINGS AND CONNECTIONS TO EXISTING PIPES AND UTILITIES

WHERE PLANS PROVIDE FOR A PROPOSED CONDUIT TO BE CONNECTED TO, OR CROSS OVER OR UNDER AN EXISTING SEWER OR UNDERGROUND UTILITY, THE CONTRACTOR SHALL LOCATE THE EXISTING PIPES OR UTILITIES BOTH AS TO LINE AND GRADE BEFORE STARTING TO LAY THE PROPOSED CONDUIT.

IF IT IS DETERMINED THAT THE ELEVATION OF THE EXISTING CONDUIT, OR EXISTING APPURTENANCE TO BE CONNECTED, DIFFERS FROM THE PLAN ELEVATION OR RESULTS IN A CHANGE IN THE PLAN CONDUIT SLOPE, THE CHIEF ENGINEER SHALL BE NOTIFIED BEFORE STARTING CONSTRUCTION OF ANY PORTION OF THE PROPOSED CONDUIT WHICH WILL BE AFFECTED BY THE VARIANCE IN THE EXISTING ELEVATIONS.

IF IT IS DETERMINED THAT THE PROPOSED CONDUIT WILL INTERSECT AN EXISTING SEWER OR UNDERGROUND UTILITY IF CONSTRUCTED AS SHOWN ON THE PLAN, THE CHIEF ENGINEER SHALL BE NOTIFIED BEFORE STARTING CONSTRUCTION OF ANY PORTION OF THE PROPOSED CONDUIT WHICH WOULD BE AFFECTED BY THE INTERFERENCE WITH AN EXISTING FACILITY.

PAYMENT FOR ALL THE OPERATIONS DESCRIBED ABOVE SHALL BE INCLUDED IN THE CONTRACT PRICE FOR THE PERTINENT 603 CONDUIT ITEM.

CONCRETE MEDIAN WALL REPAIRS

THE CONCRETE MEDIAN BARRIER WILL BE REPAIRED AT LOCATIONS IDENTIFIED BY THE CHIEF ENGINEER. KNOWN LOCATIONS REQUIRING REPAIR ARE SHOWN IN THE TABLES BELOW.

EB MEDIAN WALL REPLACEMENT - ITEM 622	
LOCATION	LENGTH (FT.)
MP 91.35	22.0
MP 91.91	17.0
MP 93.55	3.0
MP 93.75	16.0
<b>TOTAL</b>	<b>58.0</b>
<b>TOTAL WITH 50% CONTINGENCY</b>	<b>87</b>

EB MEDIAN WALL REPAIR WITH ITEM SP 519			
LOCATION	LENGTH	HEIGHT	SQUARE FEET
MP 90.25	55.00	0.50	27.50
MP 90.26	4.50	0.50	2.25
MP 90.35	5.00	2.50	12.50
MP 91.39	4.30	2.00	8.60
MP 91.79	3.00	1.50	4.50
MP 91.85	6.00	2.00	12.00
MP 91.87	3.00	2.80	8.40
MP 92.81	2.00	2.00	4.00
MP 92.81	3.20	2.00	6.40
MP 92.81	5.00	1.50	7.50
MP 93.95	3.20	2.40	7.68
MP 94.18	15.40	1.30	20.02
MP 95.38	12.00	1.00	12.00
<b>TOTAL</b>			<b>133.35</b>
<b>TOTAL WITH 50% CONTINGENCY</b>			<b>201</b>

EB MEDIAN WALL REPAIR WITH ITEM SP 519C			
LOCATION	LENGTH	HEIGHT	SQUARE FEET
MP 90.24	3.00	1.40	4.20
MP 90.24	5.50	2.40	13.20
MP 90.24	8.50	0.60	5.10
MP 90.55	2.00	2.00	4.00
MP 91.39	1.30	2.30	2.99
MP 94.18	1.40	3.00	4.20
<b>TOTAL</b>			<b>33.69</b>
<b>TOTAL WITH 50% CONTINGENCY</b>			<b>51</b>

THE ITEM 622 - MEDIAN WALL REPLACEMENT WORK SHALL INCLUDE THE REMOVAL OF THE EXISTING BARRIER WALL DOWN TO THE FOUNDATION ONLY. THE FOUNDATION SHALL REMAIN IN PLACE AND ANY DAMAGE NO. 8 EPOXY COATED DEFORMED STEEL BARS SHALL BE REPLACED IN ACCORDANCE WITH OTIC STANDARD DRAWING CBR-3. THE NEW BARRIER WALL SHALL BE INSTALLED IN ACCORDANCE WITH OTIC STANDARD DRAWING CBR-3 EXCEPT THE ITEM 625 - CONDUIT WITH MULTI-CELL INTERDUCT DOES NOT HAVE TO BE REPLACED.

ALL EQUIPMENT, MATERIALS AND LABOR REQUIRED TO PERFORM THE WORK OUTLINED ABOVE SHALL BE INCLUDED IN THE UNIT BID PRICE FOR EACH ITEM. THE COST OF ITEM 536A - MASONRY COATING IS INCIDENTAL TO THE MEDIAN REPAIR QUANTITIES.

THE FOLLOWING ESTIMATED QUANTITY HAS BEEN CARRIED TO THE GENERAL SUMMARY FOR USE AS DIRECTED BY THE CHIEF ENGINEER.

ITEM 622 - MEDIAN BARRIER WALL 81 FT.  
 ITEM SP 519 - PATCHING CONCRETE STRUCTURES 201 SQ. FT.  
 ITEM SP 519C - PATCHING CONCRETE STRUCTURES WITH TROWELABLE MORTAR 51 SQ. FT.

REVIEW OF DRAINAGE FACILITIES

BEFORE ANY WORK IS STARTED ON THE PROJECT AND AGAIN BEFORE FINAL ACCEPTANCE BY THE OTIC, REPRESENTATIVES OF THE OTIC AND THE CONTRACTOR, SHALL MAKE AN AN INSPECTION OF ALL EXISTING SEWERS WHICH ARE TO REMAIN IN SERVICE AND WHICH MAY BE AFFECTED BY THE WORK. THE CONDITION OF THE EXISTING CONDUITS AND THEIR APPURTENANCES SHALL BE DETERMINED FROM FIELD OBSERVATIONS. RECORDS OF THE INSPECTION SHALL BE KEPT IN WRITING BY THE OTIC REPRESENTATIVE.

ALL NEW CONDUITS, INLETS, CATCH BASINS, AND MANHOLES CONSTRUCTED AS PART OF THE PROJECT SHALL BE FREE OF ALL FOREIGN MATTER AND IN A CLEAN CONDITION BEFORE THE PROJECT WILL BE ACCEPTED BY THE OHIO TURNPIKE AND INFRASTRUCTURE COMMISSION.

ALL EXISTING SEWERS INSPECTED INITIALLY BY THE ABOVE MENTIONED PARTIES SHALL BE MAINTAINED AND LEFT IN A CONDITION REASONABLY COMPARABLE TO THAT DETERMINED BY THE ORIGINAL INSPECTION OR REVISED AS SHOWN IN THESE PLANS. ANY CHANGE IN THE CONDITION RESULTING FROM THE CONTRACTOR'S OPERATIONS SHALL BE CORRECTED BY THE CONTRACTOR TO THE SATISFACTION OF THE CHIEF ENGINEER.

PAYMENT FOR ALL OPERATIONS DESCRIBED ABOVE SHALL BE INCLUDED IN THE CONTRACT PRICE FOR THE PERTINENT 603 CONDUIT ITEMS.

PIPE CONNECTIONS TO CORRUGATED METAL STRUCTURES

CONNECTIONS OF PROPOSED LONGITUDINAL DRAINAGE TO CORRUGATED METAL STRUCTURES SHALL BE MADE BY MEANS OF A SHOP FABRICATED OR FIELD WELDED STUB ON THE STRUCTURE. THE STUB SHALL MEET THE REQUIREMENTS OF 707 AND HAVE A MINIMUM LENGTH OF TWO FEET AND A MINIMUM WALL THICKNESS OF 0.064 INCHES.

THE LOCATION AND ELEVATION OF THE STUB ARE TO BE CONSIDERED APPROXIMATE AND MAY BE ADJUSTED BY THE CHIEF ENGINEER TO AVOID CUTTING THROUGH JOINTS IN THE STRUCTURE.

THE FIELD WELDED JOINT, IF USED, SHALL BE THOROUGHLY CLEANED AND REGALVANIZED OR OTHERWISE SUITABLE REPAIRED. WELDING SHALL MEET THE REQUIREMENTS OF 513.21.

A MASONRY COLLAR, AS PER ODOT STANDARD DRAWING, DM-1.1, WILL BE REQUIRED TO CONNECT THE LONGITUDINAL DRAINAGE TO THE STUB, WHEN PIPE OTHER THAN CORRUGATED METAL IS PROVIDED FOR THE LONGITUDINAL DRAINAGE.

PAYMENT FOR CUTTING INTO THE STRUCTURE AND PROVIDING THE CONNECTION DESCRIBED, SHALL BE INCLUDED IN THE CONTRACT PRICE FOR ITEM 603.

EXISTING UNDERDRAINS

ALL EXISTING UNDERDRAINS ENCOUNTERED IN THE THIRD LANE AND AT THE PAVEMENT SAW CUT LOCATION SHALL NOT BE DISTURBED.

ITEM SP 605 - AGGREGATE DRAIN, AS PER PLAN

THE ENTIRE OUTSIDE PERIMETER OF THE AGGREGATE DRAIN SHALL BE WRAPPED WITH FILTER FABRIC, TYPE A, AS PER ODOT SPECIFICATION 712.09. DURING THE EXCAVATION OF THE TRENCH FOR AGGREGATE DRAIN, SPECIAL CARE IS NEEDED TO PREVENT DAMAGE TO THE ADJACENT EXISTING UNDERDRAIN FILTER FABRIC WRAP. PAYMENT FOR ALL OPERATIONS DESCRIBED ABOVE SHALL BE INCLUDED IN THE CONTRACT PRICE FOR ITEM SP605 - AGGREGATE DRAIN, AS PER PLAN.

DIMENSIONS FOR THE OUTLETS WILL MATCH ODOT STD. DWG. BP-3.1 AND BE CONSTRUCTED WITH A SLOPE OF 1/4"/FT.

AGGREGATE DRAINS SHALL BE PLACED AT THE LONGITUDINAL JOINT AS SHOWN IN TYPICAL SECTIONS AND AT 50 FOOT INTERVALS ON EACH SIDE OF NORMAL CROWNED SECTIONS, STAGGERED SO THAT EACH DRAIN IS 25 FEET FROM THE ADJACENT DRAIN ON THE OPPOSITE SIDE, AND AT 25 FOOT INTERVALS ON THE LOW SIDE ONLY OF SUPERELEVATED SECTIONS. AN AGGREGATE DRAIN SHALL BE PLACED AT THE LOW POINT OF EACH SAG VERTICAL CURVE. THE TABLE BELOW SHALL BE USED FOR THE APPROXIMATE LOCATION AND LENGTH FOR THESE AGGREGATE DRAINS. ACTUAL LOCATION AND LENGTH WILL BE AS DIRECTED BY ENGINEER.

ITEM SP605 - AGGREGATE DRAIN, AS PER PLAN		
STATION	SIDE	FT.
<b>BL RAMP B</b>		
13+50.00	RT.	11
14+00.00	RT.	11
14+50.00	RT.	11
15+00.00	RT.	11
15+50.00	RT.	11
16+00.00	RT.	11
<b>TOTAL</b>		<b>66</b>

IN ADDITION TO THE QUANTITIES SHOWN IN THE TABLE, A CONTINGENCY QUANTITY OF TYPE 1 AND TYPE 2 AGGREGATE DRAIN AS PER PLAN ARE PROVIDED BELOW TO BE USED AS SHOWN IN OTIC STD DWG CJ-1 AND AS DIRECTED BY THE CHIEF ENGINEER.

ITEM SP605- TYPE 1 AGGREGATE DRAIN WITH WRAP, AS PER PLAN 200 FEET.

ITEM SP605- TYPE 2 AGGREGATE DRAIN WITH WRAP, AS PER PLAN 200 FEET.

Drawing File: c:\2013\2013115\roadway\sherees\2013115G0004.dwg Layout: Model  
 Date: 04/14/2016 Time: 10:14 am Plot: -13707855

1	ADDENDUM NO. 1	PJF	10/14/16
-	-	-	-
NO.	REVISIONS	BY	DATE
<b>OHIO TURNPIKE AND INFRASTRUCTURE COMMISSION</b>			
<b>GENERAL NOTES</b>			
M.P. 90.00 TP M.P. 95.90		SANDUSKY COUNTY	
<b>GPD GROUP</b> <small>Glenn, Pyle, Schorer, Burns &amp; DeHaven, Inc. 330-572-2100</small> <small>520 South Main Street, Suite 2531, Akron, Ohio 44311 Fax 330-572-2101</small>			
DESIGNED:	CLH	CHECKED:	PJF DATE: 08/26/16
DRAWN:	CLH	IN CHARGE:	MRG SCALE: N.T.S.
<b>PROJECT NO. 39-17-01 SHEET 12 OF 272</b>			

**EROSION REPAIR TABLE**

OHIO TURNPIKE EASTBOUND								
REFERENCE NO.	SHEET NO.	MILE POST	STATION	AREA (S.Y.)	WIDTH (FT.)	LENGTH (FT.)	AREA (S.F.)	DEFICIENCY
ER-01	123	90.1 - 90.2	435+28	267	80	30	2400	Some erosion/settlement at aggregate drain outlets
ER-02	124	90.21	441+09	22	10	20	200	aggregate drains with minor erosion
ER-03	128	91.25	496+00	100	30	30	900	Aggregate drains sloughing/eroding here to ramp
ER-04	133	92.40	556+72	556	100	50	5000	Severe erosion of abutment slope at east end
ER-05	134	92.49	561+34	100	60	15	900	Large washout between guardrail posts and down slope
ER-06	134	92.55	564+50	167	15	100	1500	Erosion behind guardrail
ER-07	135	92.88	581+93	133	40	30	1200	Several aggregate drain erosion slope problems.
ER-08	137	93.35	605+79	142	15	85	1275	Just west of culvert repair slope gully area L85' X W15'
ER-09	140	93.90	637+47	33	15	20	300	repair slope rutting area L20' X W15'
ER-10	140	94.02	642+22	133	20	60	1200	repair slope rutting area L60' X W20'
ER-11	141	94.06	645+92	100	30	30	900	fill in and repair ditch sinkhole, area L30' X W30' X 10'Deep
ER-12	142	94.40	663+87	33	20	15	300	repair slope rutting area L20' X W15'.
ER-13	143	94.55	671+79	33	20	15	300	repair slope rutting area L20' X W15'
ER-14	144	94.80	684+99	50	30	15	450	repair slope rutting area L30' X W15'.
ER-15	144	94.82	686+05	58	35	15	525	repair slope rutting area L35' X W15'
ER-16	145	94.98	694+50	50	30	15	450	repair slope rutting area L30' X W15'.
ER-17	145	94.99	695+00	33	20	15	300	repair slope rutting area L20' X W15'.
ER-18	145	95.08 - 95.09	699+85	67	60	10	600	repair 3 separate slope gullies with areas L20' X W10' each.
EROSION REPAIR TOTAL AREA				2077	S.Y.			

SLOPE EROSION REPAIRS

FOR INDICATED SLOPE EROSION AREAS, REMOVE TOPSOIL FROM THE EXTENTS OF THE INDICATED AREA AND REMOVE SOIL DOWN TO THE LOWEST EXPOSED DEPTH IN THE EROSION AREA OR 12 INCHES, WHICHEVER IS GREATER. REMOVE ALL ROCKS, GRAVEL AND COBBLES AND FOREIGN MATERIAL 1 1/2" OR GREATER FROM THE SLOPE EROSION AREA. PLACE AND COMPACT BACKFILL TO MATCH THE ADJACENT SLOPE AND PLACE 4 INCHES OF TOPSOIL TO MEET EXISTING SLOPE GRADES AT ALL EXTENTS OF THE INDICATED SLOPE. PLACE ITEM 671 - EROSION CONTROL MAT, TYPE B FROM THE TOP OF THE SLOPE DOWN TO THE LOWEST INDICATED EXTENT OF THE SLOPE EROSION REPAIR AREA. CONTINUE THE EROSION CONTROL MAT LATERALLY FIVE (5) FEET BEYOND THE SIDE EXTENTS OF THE SLOPE EROSION AREA. FOR AREAS ADJACENT TO PROPOSED CONCRETE BARRIER, THE TOP OF SLOPE MAT SHALL START AT THE OUTSIDE FACE OF THE BARRIER. FOR ALL OTHER AREAS, THE TOP OF SLOPE MAT SHALL START AT THE EDGE OF SHOULDER COMPACTED AGGREGATE BEHIND THE GUARDRAIL.

THE FOLLOWING QUANTITIES HAVE BEEN INCLUDED IN THE GENERAL SUMMARY FOR THIS WORK;

ITEM 203 - EMBANKMENT	462 CU. YDS.
ITEM 203 - EXCAVATION	692 CU. YDS.
ITEM 659 - SEEDING AND MULCHING	2077 SQ. YDS.
ITEM 659 - TOPSOIL FURNISHED AND PLACED (FOR SLOPES)	231 CU. YDS.
ITEM 659 - WATER	11 M. GAL.
ITEM 671 - EROSION CONTROL MAT, TYPE B	3385 SQ. YDS.

THE TABLES ABOVE SHOW AREAS EXPECTED TO REQUIRE THIS TREATMENT;

ITEM 207 - PERIMETER FILTER FABRIC FENCE  
FILTER FABRIC SHALL MEET THE REQUIREMENTS OF ITEM 207.02.

THE BOTTOM OF THE FENCE SHALL BE BURIED 6" BELOW THE GROUND. THE FENCE SHALL BE HIGH ENOUGH TO RETAIN SEDIMENT LADEN WATER AND ADEQUATELY SUPPORTED TO PREVENT COLLAPSE OR BURSTING. THE GROUND ELEVATION OF THE FENCE SHALL BE HELD CONSTANT EXCEPT THAT THE END ELEVATION SHALL BE RAISED TO PREVENT FLOW AROUND THE END OF THE FENCE.

THE FILTER FABRIC SHALL BE MAINTAINED TO BE FUNCTIONAL. THIS SHALL INCLUDE REMOVAL OF TRAPPED SEDIMENT AND REQUIRED CLEANING, REPAIR AND/OR REPLACEMENT OF THE FILTER FABRIC.

THE COST OF ALL MATERIALS, CONSTRUCTION, MAINTENANCE AND REMOVAL REQUIRED SHALL BE PAID FOR UNDER ITEM 207 - PERIMETER FILTER FABRIC FENCE.

SEEDING & MULCHING

THE FOLLOWING QUANTITIES ARE PROVIDED TO PROMOTE GROWTH AND CARE OF PERMANENT SEEDING AREAS:

ITEM 659 - SOIL ANALYSIS TEST	5 EACH
ITEM 659 - TOPSOIL FURNISHED AND PLACED (FOR SLOPES)	6,282 CU. YD.
ITEM 659 - SEEDING AND MULCHING	56,587 SQ. YD.
ITEM 659 - REPAIR SEEDING AND MULCHING	2829 SQ. YD.
ITEM 659 - INTER-SEEDING	2829 SQ. YD.
ITEM 659 - COMMERCIAL FERTILIZER	7.64 TON
ITEM 659 - LIME	11.70 ACRES
ITEM 659 - WATER	306 M. GAL.

4" OF TOPSOIL SHALL BE FURNISHED AND PLACED ON EXPOSED AREAS ADJACENT TO THE ROADSIDE BERM, SLOPES AND AS DIRECTED BY THE CHIEF ENGINEER. SEEDING AND MULCHING SHALL BE APPLIED TO ALL AREAS OF EXPOSED SOIL BETWEEN THE RIGHT-OF-WAY LINES, AND WITHIN THE CONSTRUCTION LIMITS FOR AREAS OUTSIDE THE RIGHT-OF-WAY LINES COVERED BY WORK AGREEMENT OR SLOPE EASEMENT. QUANTITY CALCULATIONS FOR SEEDING AND MULCHING ARE BASED ON AN ASSUMED LIMIT 10' BEYOND THE SHOULDER FOR THE LENGTH OF THE PROJECT, THE TOTAL AREA OF DITCH CLEANOUT AS SHOWN, LINEAR GRADING AREAS AND RAMP CROSS SECTIONS.

THE FOLLOWING ESTIMATED CONTINGENCY QUANTITY HAS BEEN CARRIED TO THE GENERAL SUMMARY TO BE USED AS DIRECTED BY THE CHIEF ENGINEER:

ITEM 671 - EROSION CONTROL MAT, TYPE B	2000 S.Y.
--	-----------

Drawing File: c:\2013\201315\roadway\sheets\20131504007.dwg Layout: Model  
 Date: 06/14/2016 Time: 11:50 am Plt: 15707855  
 Technician: pfrj

1	ADDENDUM NO. 1	PJF	10/14/16
-	-	-	-
NO.	REVISIONS	BY	DATE

**OHIO TURNPIKE AND INFRASTRUCTURE COMMISSION**  
**GENERAL NOTES**  
 M.P. 90.00 TO M.P. 95.90 SANDUSKY COUNTY

**GPD GROUP**  
 Glenn Pyle, Schwaner, Burns & DeHaven, Inc. 330-572-2100  
 520 South Main Street, Suite 2531, Akron, Ohio 44311 Fax 330-572-2101

DESIGNED: CLH	CHECKED: PJF	DATE: 08/26/16
DRAWN: CLH	IN CHARGE: MRG	SCALE: N.T.S.

PROJECT NO. 39-17-01 SHEET 15 OF 272

# MAINTENANCE OF TRAFFIC NOTES

## SEQUENCE OF CONSTRUCTION

THE INTENT OF THIS PROJECT IS TO RECONSTRUCT THE PAVEMENT OF THE OUTSIDE TWO (2) LANES AND OUTSIDE SHOULDER OF EASTBOUND TRAFFIC AND ALL ASSOCIATED BRIDGE WORK (AS DETAILED IN THE STRUCTURES PLANS) ON THE OHIO TURNPIKE (I.R. 80) BETWEEN MILE POSTS 90.00 AND 95.90 WHILE MAINTAINING TWO (2) LANES OF TRAFFIC IN EACH DIRECTION AT ALL TIMES. EASTBOUND TURNPIKE PAVEMENT REPLACEMENT WILL REQUIRE SEVERAL PHASES AS DETAILED ON THE MAINTENANCE OF TRAFFIC PLAN SHEETS.

WHENEVER CROSSOVERS ARE USED FOR MAINTAINING TRAFFIC, THE CONTRACTOR SHALL MAINTAIN OHIO TURNPIKE AND INFRASTRUCTURE COMMISSION (OTIC) STANDARD CONSTRUCTION CLEARANCES AND A WORK ZONE LIGHTING SYSTEM AS PER OHIO DEPARTMENT OF TRANSPORTATION STANDARD CONSTRUCTION DRAWING (SCD) MT-100.00 SHALL BE INSTALLED. EACH CROSSOVER LIGHTING SYSTEM SHALL BE PAID FOR SEPARATELY UNDER ITEM 614 - WORK ZONE CROSSOVER LIGHTING SYSTEM.

THE CONTRACTOR HAS THE OPTION TO PERFORM SOME, OR ALL, OF THE PHASE 3 APPROACH SLAB REPLACEMENT AND EXPANSION JOINT REPLACEMENT DURING PHASE 1. THE CONTRACTOR HAS THE OPTION TO PERFORM SOME, OR ALL, OF THE PHASE 2A APPROACH SLAB REPLACEMENT AND EXPANSION JOINT REPLACEMENT PRIOR TO PHASE 3.

## PRE-PHASE 1

PRIOR TO COMMENCING PHASE 1 CONSTRUCTION ACTIVITIES THE CONTRACTOR SHALL PERFORM ANY PAVEMENT REPAIRS ON BOTH EASTBOUND AND WESTBOUND OHIO TURNPIKE WITHIN THE PROJECT LIMITS AND SIGNAGE LIMITS. THE CONTRACTOR SHALL ALSO INSTALL ANY TEMPORARY PAVEMENT AT THE EASTBOUND ENTRANCE AND EXIT RAMP AT APPROXIMATELY M.P. 91 AS DETAILED IN THE MAINTENANCE OF TRAFFIC PLANS. THE CONTRACTOR SHALL ALSO PERFORM REPAIRS TO THE CROSSOVER PAVEMENT AND TRENCH DRAIN AS DIRECTED BY THE CHIEF ENGINEER.

PRIOR TO COMMENCING PHASE 1 CONSTRUCTION ACTIVITIES, THE CONTRACTOR SHALL PERFORM ALL REQUIRED PIPE LINER PLACEMENTS TO EASTBOUND AND WESTBOUND OHIO TURNPIKE AS A PRE-PHASE OPERATION. MAINTENANCE OF TRAFFIC COSTS ASSOCIATED WITH THIS WORK SHALL BE INCLUDED IN THE LUMP SUM BID SP 614 - MAINTAINING TRAFFIC, WHICH SHALL INCLUDE ALL LABOR, EQUIPMENT, MATERIALS AND INCIDENTALS REQUIRED TO COMPLETE THE WORK AS SPECIFIED ABOVE.

THE CONTRACTOR SHALL UTILIZE OTIC STANDARD DRAWINGS TO PERFORM ALL PRE-PHASE 1 WORK.

## PHASE 1

THE CONTRACTOR SHALL CLOSE THE EASTBOUND AND WESTBOUND INSIDE TURNPIKE LANES (LEFT LANE IN BOTH DIRECTIONS) PER OTIC STANDARD DRAWING AT THE PREVIOUSLY CONSTRUCTED TEMPORARY CROSSOVER LOCATIONS AT THIS TIME. THE CONTRACTOR SHALL REMOVE THE EXISTING PORTABLE CONCRETE BARRIER WITHIN THE MEDIAN THAT REMAINS FROM THE COMPLETION OF PROJECT 39-13-01 WESTBOUND PAVEMENT CONSTRUCTION. THE CONTRACTOR SHALL REPAIR THE EXISTING CROSSOVER TEMPORARY PAVEMENT AND DRAINAGE STRUCTURES REMAINING FROM PROJECT 39-13-01 AS DIRECTED BY THE CHIEF ENGINEER AND COMPLETE ALL ASSOCIATED WORK REQUIRED FOR IMPLEMENTATION OF THE CONTRAFLOW MAINTENANCE OF TRAFFIC SCHEME THAT WILL BE USED DURING PHASE 2A CONSTRUCTION ACTIVITIES. THE CONTRACTOR SHALL INSTALL CROSSOVER LIGHTING AT THIS TIME. THE CONTRACTOR SHALL UTILIZE OTIC STANDARD DRAWINGS TO PERFORM ALL PHASE 1 WORK.

IN ADDITION TO THE WORK DESCRIBED ABOVE THE CONTRACTOR SHALL ALSO PERFORM:

1. WESTBOUND NORFOLK AND SOUTHERN RAILROAD BRIDGE INSIDE SHOULDER AND THIRD LANE DECK JOINT ARMOR AND BEARING CONSTRUCTION.
2. RECONSTRUCTION OF EXISTING MEDIAN CATCH BASIN AND REPAIRS NECESSARY TO MAINTAIN DRAINAGE.
3. COMPLETE ALL BRIDGE WORK TO THE EASTBOUND INSIDE SHOULDER AND THIRD LANE APPROACH SLABS AND DECK JOINT ARMOR.

THE CONTRACTOR SHALL REFER TO THE PERMITTED CONSTRUCTION SEQUENCING NOTE ON THIS SHEET FOR ALTERNATE MAINTENANCE OF TRAFFIC CONSTRUCTION OPERATIONS.

AFTER COMPLETION OF THE PHASE 1 CONSTRUCTION ACTIVITIES THE CONTRACTOR SHALL PROCEED TO PHASE 2A CONSTRUCTION ACTIVITIES.

## PHASE 2A

THE CONTRACTOR SHALL MAINTAIN TWO LANES OF WESTBOUND TRAFFIC AT THIS TIME AS DETAILED IN THE PHASE 2A MAINTENANCE OF TRAFFIC PLANS.

THE CONTRACTOR SHALL MAINTAIN TWO LANES OF EASTBOUND TRAFFIC, ONE LANE ON THE WESTBOUND SIDE OF THE TURNPIKE AND ONE LANE ON THE EASTBOUND SIDE USING A CONTRAFLOW MAINTENANCE OF TRAFFIC SCHEME AS DETAILED IN THE PHASE 2A MAINTENANCE OF TRAFFIC PLANS.

THE CONTRACTOR SHALL CONSTRUCT THE OUTSIDE SHOULDER, RIGHT LANE AND CENTER LANE OF THE EASTBOUND PAVEMENT REPLACEMENT ALONG WITH ANY PROPOSED EXPANSION JOINT REPLACEMENT, APPROACH SLAB CONSTRUCTION, DRAINAGE INSTALLATION, CULVERT REHABILITATION, AND SLOPE REPAIRS AS DETAILED ON THE PLANS.

THE CONTRACTOR SHALL UTILIZE THE TEMPORARY PAVEMENT PLACED DURING PRE-PHASE 1 CONSTRUCTION ACTIVITIES IN ORDER TO PERFORM THE EASTBOUND INTERCHANGE RAMP IMPROVEMENTS AS DETAILED ON THE PLANS. THE EXISTING OUTSIDE SHOULDERS OF BOTH THE EASTBOUND INTERCHANGE ENTRANCE AND EXIT RAMP SHALL BE RECONSTRUCTED WITHIN THE LIMITS SHOWN ON THE DETAILED MAINTENANCE OF TRAFFIC PLANS PRIOR TO IMPLEMENTING PHASE 2B TRAFFIC PATTERNS.

THE CONTRACTOR SHALL REFER TO THE PERMITTED CONSTRUCTION SEQUENCING NOTE ON THIS SHEET FOR ALTERNATE MAINTENANCE OF TRAFFIC CONSTRUCTION OPERATIONS.

AFTER COMPLETION OF THE PHASE 2A CONSTRUCTION ACTIVITIES THE CONTRACTOR SHALL PROCEED TO PHASE 2B CONSTRUCTION ACTIVITIES.

## PHASE 2B

MAINTAINING THE CONTRAFLOW PATTERN FROM PHASE 2A, THE CONTRACTOR SHALL RELOCATE THE EASTBOUND INTERCHANGE ENTRANCE AND EXIT LANES ONTO THE NEW PROPOSED OUTSIDE RAMP PAVEMENT CONSTRUCTED UNDER PHASE 2A OPERATIONS.

THE CONTRACTOR SHALL CONSTRUCT THE REMAINING EASTBOUND INTERCHANGE IMPROVEMENTS AND ANY REMAINING PHASE 2A IMPROVEMENTS AS SHOWN ON THE DETAILED MAINTENANCE OF TRAFFIC PLANS. THE CONTRACTOR SHALL PLACE THE PERMANENT EASTBOUND OUTSIDE EDGE LINE, EXIT RAMP, GORE AND ENTRANCE RAMP PAVEMENT MARKINGS ONCE THE OUTSIDE SHOULDER, OUTSIDE LANE AND MIDDLE LANE PAVING OPERATIONS ARE COMPLETE.

PRIOR TO COMMENCING PHASE 3 WORK, THE CONTRACTOR SHALL PLACE ANY TEMPORARY PAVEMENT MARKINGS, PERMANENT PAVEMENT MARKINGS AND PERMANENT SNAPS AS DETAILED ON THE PHASE 3 MAINTENANCE OF TRAFFIC TYPICAL SECTION.

AFTER COMPLETION OF THE PHASE 2B CONSTRUCTION ACTIVITIES THE CONTRACTOR SHALL PROCEED TO PHASE 3 CONSTRUCTION ACTIVITIES.

## PHASE 3

MAINTAINING THE CONTRAFLOW PATTERN FROM PHASE 2A, THE CONTRACTOR SHALL DIRECT THE SINGLE LANE OF EASTBOUND TRAFFIC MAINTAINED ON THE EASTBOUND PAVEMENT TO THE PREVIOUSLY CONSTRUCTED OUTSIDE RIGHT LANE. THE SINGLE LANE OF CONTRAFLOW EASTBOUND TRAFFIC MAINTAINED ON THE WESTBOUND PAVEMENT SHALL REMAIN UNCHANGED.

THE CONTRACTOR SHALL COMPLETE ALL IMPROVEMENTS TO THE INSIDE EASTBOUND LANE AND STRUCTURES, INCLUDING APPROACH SLAB REPLACEMENT AND THE COMPLETION OF THE EXPANSION JOINT REPLACEMENT. REMAINING BRIDGE WORK TO BE COMPLETED AS PER OTIC STANDARD DRAWING TCR-2.1 AND PHASE 3 BRIDGE AREA MOT DETAIL SHOWN ON THE MAINTENANCE OF TRAFFIC PLANS.

PRIOR TO COMMENCING PHASE 4 CONSTRUCTION ACTIVITIES, THE CONTRACTOR SHALL PLACE THE PERMANENT EASTBOUND LANE LINE AS SHOWN ON THE PHASE 4 MAINTENANCE OF TRAFFIC TYPICAL SECTION.

THE CONTRACTOR SHALL REFER TO THE PERMITTED CONSTRUCTION SEQUENCING NOTE ON THIS SHEET FOR ALTERNATE MAINTENANCE OF TRAFFIC CONSTRUCTION OPERATIONS.

UPON COMPLETION OF PHASE 3 CONSTRUCTION ACTIVITIES, THE CONTRACTOR SHALL PROCEED TO PHASE 4 OF CONSTRUCTION.

## PHASE 4

WESTBOUND MAINTENANCE OF TRAFFIC SHALL REMAIN UNCHANGED FROM THE PHASE 3 CONDITION. TWO LANES OF TRAFFIC SHALL BE MAINTAINED EASTBOUND UTILIZING THE NEWLY CONSTRUCTED EASTBOUND CENTER AND RIGHT LANES AS DETAILED ON THE PHASE 4 MAINTENANCE OF TRAFFIC TYPICAL SECTION.

AT THIS TIME, THE CONTRACTOR SHALL RESTORE THE TEMPORARY CROSSOVERS TO THEIR PERMANENT CONDITION AS DETAILED ON THE MAINTENANCE OF TRAFFIC CROSSOVER TYPICAL SECTIONS.

## PHASE 5

THE CONTRACTOR SHALL PLACE THE REMAINING PERMANENT PAVEMENT MARKINGS AND FINAL SIGNAGE AT THIS TIME AS PER OTIC STANDARD DRAWINGS.

## INTERIM MAINTENANCE OF TRAFFIC PHASES AND OPERATIONS

THE DETAILED MAINTENANCE OF TRAFFIC PLANS THAT ARE PRESENTED IN THE PLANS FOR THIS PROJECT REFLECT MAJOR PHASES OF CONSTRUCTION THAT ARE REQUIRED TO COMPLETE THE CONSTRUCTION OF THIS PROJECT. THE MAINTENANCE OF TRAFFIC PLANS ALSO INCLUDES QUANTITY CALCULATIONS FOR THESE MAJOR PHASES AS DEPICTED IN THE PLANS.

THERE ARE PERIODS DURING THE CONSTRUCTION OF THIS PROJECT WHERE THE CONTRACTOR SHALL BE REQUIRED TO PERFORM WORK TO ESTABLISH THESE MAJOR CONSTRUCTION PHASES OR TO TRANSITION INTO THE NEXT PHASE OF CONSTRUCTION WHICH SHOULD BE CONSIDERED AS INTERIM MAINTENANCE OF TRAFFIC PHASES.

DURING INTERIM MAINTENANCE OF TRAFFIC PHASES, THE CONTRACTOR SHALL BE RESPONSIBLE FOR ALL LABOR, MATERIALS, EQUIPMENT AND TEMPORARY TRAFFIC CONTROL DEVICES, INCLUDING IMPACT ATTENUATORS, REQUIRED TO ESTABLISH THESE MAJOR PHASES OF CONSTRUCTION.

PAYMENT OF THE ABOVE NOTED WORK FOR INTERIM MAINTENANCE OF TRAFFIC PHASES AND OPERATIONS SHALL BE INCLUDED IN THE LUMP SUM BID SP 614 - MAINTAINING TRAFFIC, WHICH SHALL INCLUDE ALL LABOR, EQUIPMENT, MATERIALS AND INCIDENTALS REQUIRED TO COMPLETE THE WORK AS SPECIFIED ABOVE.

## PERMITTED CONSTRUCTION SEQUENCING

THE FOLLOWING DISCUSSION OF PERMITTED CONSTRUCTION SEQUENCING IS PROVIDED FOR THE CONTRACTOR'S BENEFIT WHEN PLANNING HIS/HER CONSTRUCTION WORK TASK SEQUENCING. ITEMS UNDER PERMITTED SEQUENCING ARE NON-BINDING AND COULD BE MODIFIED BY THE CONTRACTOR IN AN ALTERNATE MAINTENANCE OF TRAFFIC SEQUENCE.

## PERMITTED CONSTRUCTION TASKS:

1. CONSTRUCTION PHASE 1, THE CONTRACTOR IS PERMITTED TO ADD THIRD LANE BRIDGE WORK. WORK SHALL BE PERFORMED:
  - A. PER OTIC STANDARD DRAWING TCR-2.1
  - B. PER OTIC STANDARD DRAWING TCR-12
  - C. BY INSTALLING ALL OF PHASE 2 TEMPORARY PORTABLE BARRIER AND INSTALLING THE PLAN ACCESS POINTS SHOWN ON SHEET 39.
2. CONSTRUCTION PHASE 2, THE CONTRACTOR IS PERMITTED TO ADD INSIDE THIRD LANE AND MEDIAN SHOULDER WORK. WORK SHALL BE PERFORMED:
  - A. PER OTIC STANDARD DRAWING TCR-2.1
  - B. PER THE INTERNAL TRAFFIC SHIFT DETAIL SHOWN ON SHEET 40.

ANY CHANGE TO THE PROPOSED PLANS IS INCLUDED IN THE COST FOR SP614 - MAINTAINING TRAFFIC.

## ITEM SPECIAL - EXISTING CROSSOVER TO BE CLOSED / RE-OPENED

THIS ITEM SHALL CONSIST OF CLOSING AND RE-OPENING EXISTING MEDIAN CROSSOVERS IN ACCORDANCE WITH OTIC STANDARD DRAWING TCB-3. ALL SECTIONS OF TEMPORARY CONCRETE BARRIER SHALL BE PROVIDED BY THE CONTRACTOR AND SHALL BE NCHRP-350 BARRIER WALL. ALL SECTIONS OF TEMPORARY CONCRETE BARRIER PROVIDED BY THE CONTRACTOR SHALL BECOME PROPERTY OF THE OHIO TURNPIKE AND INFRASTRUCTURE COMMISSION AT THE END OF THE PROJECT. PAYMENT FOR ALL EQUIPMENT, MATERIALS, LABOR AND INCIDENTALS NECESSARY TO CLOSE AND RE-OPEN THE MEDIAN BARRIER SHALL BE INCLUDED IN THE LUMP SUM BID PRICE FOR ITEM SPECIAL - EXISTING CROSSOVER TO BE CLOSED/RE-OPENED.

THE EXISTING MAINTENANCE CROSSOVER BARRIER AT MP 91.22, 91.97 AND 95.82 SHALL ONLY BE USED IF IT IS NCHRP-350 COMPLIANT. IF THE BARRIER WALL DOES NOT COMPLY, THE CONTRACTOR SHALL REPLACE THE BARRIER. THE WORK SHALL BE DONE BEFORE IT IS CLOSED FOR PHASE 2. ALL COSTS AND MATERIALS ASSOCIATED WITH REPLACING THE EXISTING TEMPORARY PORTABLE BARRIER WALL AT MP 91.22, 91.97 AND 95.82 SHALL BE INCIDENTAL TO AND INCLUDED WITH THE LUMP SUM CONTRACT BID ITEM FOR SP 614 - MAINTAINING TRAFFIC.



## WARRANTY 1 YEAR ANNIVERSARY WALK THROUGH MOT

THIS WORK IS TO INCLUDE THE SETUP AND REMOVAL OF MOT (MAINTENANCE OF TRAFFIC) USING OTIC STANDARD DRAWINGS FOR MAINTAINING TRAFFIC DURING THE ONE (1) YEAR ANNIVERSARY WALK THROUGH INSPECTION FOR THE OTIC AND THE OTIC OWNER'S AGENT. THE CONTRACTOR IS TO ANTICIPATE, INITIALLY, THE NEED FOR A MINIMUM OF TWO (2) DAYS OF SETUP IN ORDER TO PROVIDE ACCESS TO THE ENTIRE PROJECT LIMITS FOR WARRANTY INSPECTIONS. FURTHER MOT SETUPS AND REMOVALS SHALL ALSO BE CONSIDERED AS PART OF THIS WORK ITEM FOR INSPECTIONS OF CORRECTED WARRANTY ITEMS UNTIL WARRANTY HAS EXPIRED. PAYMENT FOR THIS WORK SHALL BE INCLUDED IN THE LUMP SUM BID FOR ITEM SP 614 - MAINTAINING TRAFFIC, WHICH SHALL INCLUDE ALL LABOR, EQUIPMENT, AND MATERIALS AND INCIDENTALS REQUIRED TO COMPLETE THE WORK AS SPECIFIED ABOVE.

1	ADDENDUM NO. 1	LOB	10/11/16
-	-	-	-
NO.	REVISIONS	BY	DATE

**OHIO TURNPIKE AND  
INFRASTRUCTURE COMMISSION**  
MAINTENANCE OF TRAFFIC NOTES  
SHEET 1 OF 5 SANDUSKY COUNTY

				330-572-2100
520 South Main Street, Suite 2531, Akron, Ohio 44311				Fax: 330-572-2101
DESIGNED: ADG	CHECKED: LOB	DATE:	08/26/16	
DRAWN: ADG	IN CHARGE: MRG	SCALE:	N.T.S.	
<b>PROJECT NO. 39-17-01 SHEET 16 OF 272</b>				

# MAINTENANCE OF TRAFFIC NOTES

ITEM SP 622A – TEMPORARY PORTABLE BARRIER (WITH GLARE SCREEN)

ITEM SP 622A – TEMPORARY CONCRETE BARRIER (WITHOUT GLARE SCREEN)  
 THE CONTRACTOR SHALL REPLACE ANY DAMAGED TEMPORARY PORTABLE BARRIER WITHIN 24 HOURS OF A DAMAGING IMPACT. TO FACILITATE THIS PROMPT REPLACEMENT, AN ADDITIONAL THREE HUNDRED FEET OF EACH TYPE OF BARRIER SHALL BE ON THE PROJECT AT ALL TIMES.

THE FOLLOWING CONTINGENCY QUANTITIES HAVE BEEN SHOWN FOR INFORMATIONAL PURPOSES ONLY. A LUMP SUM QUANTITY HAS BEEN CARRIED TO THE MAINTENANCE OF TRAFFIC GENERAL SUMMARY FOR USE AS DIRECTED BY THE CHIEF ENGINEER FOR REPLACEMENT OF TEMPORARY PORTABLE BARRIER.

ITEM SP 622A – TEMPORARY PORTABLE BARRIER, 32”  
 (WITH GLARE SCREEN) ..... 300 FEET

ITEM SP 622A – TEMPORARY CONCRETE BARRIER, 32”  
 (WITHOUT GLARE SCREEN) ..... 300 FEET

ITEM SPECIAL – “SNAP” MILL AND FILL

MAINTENANCE OF TRAFFIC ON THE MEDIAN SHOULDER AND PORTIONS OF THE OUTSIDE SHOULDER WILL REQUIRE THE EXISTING “SNAPS” TO BE MILLED AND FILLED OUTSIDE THE WORK LIMITS FOR TEMPORARY TRAFFIC CONTROL PURPOSES.

PAYMENT FOR THIS ITEM SHALL INCLUDE REMOVAL OF EXISTING “SNAPS” AND THE EXISTING PAVEMENT JOINT BY MILLING 1½” DEEP AND 5’ WIDE, TACK COATING ALL EXPOSED MILLED SURFACES, AND PAVING THE MILLED AREA WITH 1½” OF ITEM SP 404 – ASPHALT CONCRETE SURFACE COURSE, PG 64–22. ALL LABOR, EQUIPMENT AND MATERIALS NECESSARY TO COMPLETE THE ABOVE MENTIONED WORK SHALL BE INCLUDED IN THE UNIT PRICE BID FOR ITEM SPECIAL – “SNAP” MILL AND FILL.

ITEM SPECIAL – “SNAP” MILL AND FILL..... 2,510 FT

SUSPENSION OF WORK

IF THE CONTRACTOR FAILS TO COMPLY WITH THE PROVISIONS FOR TRAFFIC CONTROL AS SET FORTH IN THESE PLANS OR WITH PROVISIONS OF THE OHIO MANUAL OF UNIFORM TRAFFIC CONTROL DEVICES, THE CHIEF ENGINEER WILL SUSPEND WORK UNTIL THE CONTRACTOR COMPLIES WITH THE NECESSARY REQUIREMENTS.

ITEM 630 – SIGNING MISC.: ADDITIONAL SIGNS WITH SUPPORTS AS DIRECTED BY THE CHIEF ENGINEER

WHEN ADDITIONAL SIGNING IS NEEDED TO MAINTAIN TRAFFIC, THE CONTRACTOR SHALL FURNISH THE SIGN OR SIGNS AS DIRECTED BY THE CHIEF ENGINEER. THESE SIGNS SHALL BE GROUND OR BARRIER MOUNTED AND MEET ALL THE SPECIFICATIONS OF THE PLAN, PROPOSAL AND CURRENT YEAR ODOT CMS. SIGN SUPPORTS AND HARDWARE SHALL BE INCLUDED IN THE UNIT PRICE BID FOR ITEM 630 – SIGNING, MISC.: ADDITIONAL SIGNS WITH SUPPORTS, AS DIRECTED BY THE CHIEF ENGINEER.

ITEM 630 – SIGNING, MISC.: ADDITIONAL SIGNS WITH SUPPORTS,  
 AS DIRECTED BY THE CHIEF ENGINEER ..... 500 SQ FT

SCHEDULED DURATION OF WORK ZONES

THE FOLLOWING DEFINITIONS SHALL APPLY FOR THE DURATION OF WORK ZONE TYPES UTILIZED FOR THIS PROJECT:

LONG TERM STATIONARY ZONES: MORE THAN 5 DAYS, POST MOUNTED SIGNS, REFLECTORIZED TRAFFIC DRUMS. (RESURFACING PROJECTS, 3RD LANE PROJECTS, FULL DEPTH RECONSTRUCTION PROJECTS. ETC.)

INTERMEDIATE TERM STATIONARY ZONES: OVERNIGHT TO 5 DAYS; ROLL UP SIGNS ON X-FOOTPRINT SIGN STANDS, REFLECTORIZED TRAFFIC DRUMS. (FULL DEPTH PAVEMENT REPAIRS, ETC.)

SHORT TERM STATIONARY ZONES: FROM 1 TO 12 HOURS, SIGNS ON X-FOOTPRINT SIGN STANDS. 28” OR 42” CONES IN DAYTIME HOURS AND REFLECTORIZED 42” CONES OR TRAFFIC DRUMS AT NIGHTTIME. (CRACK SEALING OPERATIONS, RPM REFLECTOR REPLACEMENT, GUARDRAIL REPAIR, WASH-OUT REPAIRS, PAVEMENT BLOW-UPS, ETC.)

SHORT DURATION INTERMITTENT ZONES: LESS THAN 1 HOUR; APPROPRIATE TRUCK MOUNTED SIGNS. (SPRING CLEAN-UP, CATCH BASIN CLEANING, ETC.)

MOVING ZONES: SLOW MOVING CONTINUOUS OR MOVING WITH INTERMITTENT SHORT STOPS, SHADOW VEHICLE WITH A TRUCK MOUNTED ATTENUATOR (TMA) AND CHANGEABLE MESSAGE BOARD (CMB) OR APPROPRIATE SIGN. (SWEEPING OPERATIONS, WEED SPRAYING, ROADWAY POLICING, POTHOLE REPAIR, DELINEATOR CLEANING / REPAIR / REPLACEMENT, RPM CASTING INSTALLATION, LINE STRIPING, ETC.)

ALL INTERMEDIATE, SHORT TERM DURATION OR MOVING ZONES SHALL BE APPROVED BY THE CHIEF ENGINEER PRIOR TO FIELD ERECTION.

TRAFFIC CONTROL VEHICLES

THE FOLLOWING DEFINITIONS APPLY TO WORK ZONE TRAFFIC CONTROL VEHICLES FOR THIS PROJECT:

SHADOW VEHICLE: A VEHICLE LOCATED A SHORT DISTANCE BEHIND A MOVING OPERATION WITH A TRUCK MOUNTED ATTENUATOR (TMA) OR TOWABLE TRAILER MOUNTED ATTENUATOR (TTMA) AND CHANGEABLE MESSAGE BOARD (CMB) OR APPROPRIATE SIGN. THE VEHICLE SHALL MEET THE TMA/TTMA MANUFACTURER’S REQUIREMENTS FOR SIZE, WEIGHT, ETC.

BARRIER VEHICLE: AN UNOCCUPIED SHADOW VEHICLE, WITH OR WITHOUT A TMA/TTMA, PARKED WITHIN A STATIONARY WORK ZONE PRIOR TO A LOCALIZED WORK AREA. THE TRUCK’S BRAKE SHOULD BE SET, THE TRANSMISSION PLACED IN PARK OR GEAR, AND THE FRONT WHEELS TURNED AWAY FROM THE WORK AREA. IF A TMA/TTMA IS NOT USED THEN THE VEHICLE SHALL HAVE A GROSS VEHICLE WEIGHT OF AT LEAST 20,000 POUNDS.

MAINTAINING TRAFFIC NOTIFICATION

SINCE FUNCTIONAL TRAFFIC CONTROL IS A MAJOR CONCERN ON THIS PROJECT, IT IS ESSENTIAL THAT THE MOTORING PUBLIC BE ADEQUATELY FOREWARNED OF FUTURE LANE CLOSURES OR TRAFFIC CONSTRUCTIONS. THEREFORE, THE CONTRACTOR SHALL SUBMIT A WRITTEN SCHEDULE TO THE CHIEF ENGINEER AND RESPONSIBLE LAW ENFORCEMENT AGENCY (OHIO HIGHWAY PATROL) INDICATING THE LOCATIONS AND DATES OF THE LANE CLOSURES OR TRAFFIC CONSTRUCTIONS AT LEAST 48 HOURS PRIOR TO THE IMPLEMENTATION OF ANY SUCH TRAFFIC DISRUPTION.

THE CHIEF ENGINEER SHALL APPROVE THIS SCHEDULE PRIOR TO THE CONTRACTOR SUBMITTING THE WRITTEN SCHEDULE TO THE OHIO HIGHWAY PATROL.



SP 641C – REMOVAL OF PAVEMENT MARKINGS  
 ALL EXISTING PAVEMENT MARKINGS WHICH ARE IN CONFLICT WITH THE PROPOSED MAINTENANCE OF TRAFFIC PAVEMENT MARKINGS ARE TO BE REMOVED AS PER SP641C – REMOVAL OF PAVEMENT MARKINGS.  
  
 REMOVAL OF EXISTING CONFLICTING PAVEMENT MARKINGS SHALL BE ACCOMPLISHED BY EITHER GRINDING OR WATER BLAST AS APPROVED BY THE CHIEF ENGINEER, IN ACCORDANCE WITH SP 641C. IN NO INSTANCE SHALL BLACKOUT TAPE BE USED. MEASUREMENT OF THIS ITEM SHALL BE IN ACCORDANCE WITH SP 641C AND SHALL INCLUDE ALL LABOR, MATERIALS, EQUIPMENT AND INCIDENTALS NECESSARY TO REMOVE CONFLICTING PAVEMENT MARKINGS TO THE SATISFACTION OF THE CHIEF ENGINEER.  
  
 THE FOLLOWING QUANTITY HAS BEEN CARRIED TO THE MAINTENANCE OF TRAFFIC GENERAL SUMMARY TO BE UTILIZED AS DIRECTED BY THE CHIEF ENGINEER.  
  
 SP 641C – REMOVAL OF PAVEMENT MARKING ..... 15.10 MILE

SP 621 – RAISED PAVEMENT MARKERS

THE FOLLOWING ESTIMATED QUANTITIES HAVE BEEN INCLUDED IN THE MAINTENANCE OF TRAFFIC GENERAL SUMMARY FOR USE AS DIRECTED BY THE CHIEF ENGINEER FOR CONTINGENCY PURPOSES ONLY. THESE ITEMS ARE TO BE USED TO REPLACE OR REPAIR DAMAGED RAISED PAVEMENT MARKERS IN THE EASTBOUND AND WESTBOUND TURNPIKE LANES.

SP 621 RAISED PAVEMENT MARKER –  
 STIMSONITE MODEL 101 LPCR ..... 25 EACH

SP 621 REPLACEMENT PRISMATIC RETRO-REFLECTOR ..... 25 EACH

SP 621 REPLACEMENT RAISED PAVEMENT MARKER CASTING –  
 STIMSONITE MODEL 101 LPCR ..... 25 EACH

GUARDRAIL DELINEATION

GUARDRAIL DELINEATION FROM MP 90.00 TO MP 95.90 SHALL CONSIST OF AKT CORPORATION MODEL 567 ONE-WAY DELINEATORS INSTALLED IN ACCORDANCE WITH THE MANUFACTURER’S PRINTED INSTRUCTIONS. GUARDRAIL DELINEATION FROM MP 90.00 TO MP 95.90 SHALL CONSIST OF TWO-WAY DELINEATORS FOR TWO-WAY TRAFFIC. THE DELINEATORS SHALL BE SPACED 100’ (MIN.), WITH ALL GUARDRAIL RUNS HAVING NO LESS THAN 2 DELINEATORS (ONE DELINEATOR ON THE BEGIN AND ONE ON THE END OF THE GUARDRAIL RUN).

PAYMENT FOR GUARDRAIL DELINEATION SHALL BE INCLUDED WITH ITEM SP 614 MAINTAINING TRAFFIC. SUCH PAYMENT SHALL INCLUDE PROVIDING, INSTALLING, MAINTAINING, REPLACING DAMAGED DELINEATORS AND REMOVING, AS SPECIFIED, FOR THE ABOVE SAID GUARDRAIL DELINEATION.

DUST CONTROL

THE CONTRACTOR SHALL FURNISH AND APPLY WATER FOR DUST CONTROL AS DIRECTED BY THE CHIEF ENGINEER. THE FOLLOWING ESTIMATED QUANTITIES HAVE BEEN INCLUDED FOR DUST CONTROL PURPOSES:

ITEM 616 – WATER ..... 1,500 M GAL

LANE CLOSURE RESTRICTION

THE OHIO TURNPIKE AND INFRASTRUCTURE COMMISSION WILL NOT ALLOW THE CLOSURE OF THE TWO (2) TRAFFIC LANES WHICH ARE LOCATED ON THE OPPOSITE SIDE OF THE BASE REPLACEMENT WORK AFTER THE CONTRAFLOW TRAFFIC PATTERN IS IN OPERATION. THE CONTRACTOR SHALL SCHEDULE THEIR WORK SO THAT A LANE CLOSURE OF EITHER OF THESE TWO (2) LANES IS NOT REQUIRED DURING THE DURATION OF EACH PHASE OF CONSTRUCTION.

METHOD OF PAYMENT FOR MAINTAINING TRAFFIC

PAYMENT FOR THE MAINTENANCE OF TRAFFIC ITEMS INCLUDING DETOUR SIGNING AND LEVEL “2” TEMPORARY GROUND MOUNTED GUIDE SIGNS, UNLESS OTHERWISE SPECIFIED SEPARATELY, SHALL BE AT THE LUMP SUM PRICE BID FOR ITEM SP614–MAINTAINING TRAFFIC, WHICH SHALL INCLUDE ALL LABOR, EQUIPMENT, MATERIALS, AND INCIDENTALS REQUIRED TO COMPLETE THE WORK AS DETAILED IN THE PLANS.

SIGN COVERS AND OVERLAYS

THE CONTRACTOR SHALL COVER ALL PERMANENT SIGNS, OR PORTIONS THEREOF, AS REQUIRED BY THE PLANS. SIGN COVERS SHALL BE FURNISHED BY THE COMMISSION. THE CONTRACTOR SHALL RETURN THE SIGN COVERS TO THE COMMISSION AT THE END OF THE CONTRACT.

SIGN OVERLAYS FOR OVERHEAD SIGNS SHALL BE OF THE SAME COLOR AS THE BACKGROUND OF THE SIGN OR BE IN ACCORDANCE WITH ODOT OR OTIC MAINTENANCE OF TRAFFIC SIGNING. THE SIGN OVERLAYS SHALL BE HIGH INTENSITY GRADE SHEETING (TYPE G) ON 0.080 INCH THICK ALUMINUM SECURELY RIVETED TO THE SIGN FACE, AND SHALL BE FURNISHED, INSTALLED AND REMOVED BY THE CONTRACTOR.

PAYMENT FOR ALL LABOR, MATERIAL AND EQUIPMENT ASSOCIATED WITH THIS WORK SHALL BE INCLUDED IN THE LUMP SUM BID FOR ITEM SP 614 – MAINTAINING TRAFFIC.

Drawing File: C:\2013\20131715\mot\Notes\20131715MND01.dwg Layout: MOT Notes - Sheet 3  
 Date: 06/11/2016 Time: 4:52 am User: jblankenship

Technician: jblankenship

1	ADDENDUM NO. 1	LOB	10/11/16
-	-	-	-
NO.	REVISIONS	BY	DATE
<b>OHIO TURNPIKE AND                  INFRASTRUCTURE COMMISSION</b> MAINTENANCE OF TRAFFIC NOTES SHEET 3 OF 5 SANDUSKY COUNTY			
<b>GPD GROUP</b> <small>Glenn, Pyle, Schuman, Burns &amp; DeHaven, Inc.</small> 520 South Main Street, Suite 2531, Akron, Ohio 44311 Fax 330-572-2101			
DESIGNED:	ADG	CHECKED:	LOB
DRAWN:	ADG	IN CHARGE:	MRG
DATE:	08/26/16	SCALE:	N.T.S.
PROJECT NO. 39-17-01 SHEET 18 OF 272			

# MAINTENANCE OF TRAFFIC NOTES

## ALTERNATE MAINTENANCE OF TRAFFIC PLANS

IF THE CONTRACTOR SO ELECTS, HE OR SHE MAY PROPOSE AN ALTERNATE METHOD OR METHODS FOR MAINTAINING TRAFFIC, PROVIDED THE INTENT OF THE ABOVE PROVISIONS AND SP 614 ARE FOLLOWED AND NO ADDITIONAL INCONVENIENCE TO THE TRAVELING PUBLIC RESULTS THEREFROM.

IF THE CONTRACTOR ELECTS TO PROPOSE AN ALTERNATE MOT PHASE, SCHEME OR PLAN FROM THAT INCLUDED IN THE CONTRACT DOCUMENTS, THE CONTRACTOR SHALL PREPARE TO SCALE PLANS, EQUIVALENT TO THE LEVEL OF DETAIL OR MORE AS PROVIDED IN THE CONTRACT DOCUMENTS, WHICH ILLUSTRATE ALL ADVANCED WARNING AREA SIGNAGE, TRANSITION AREA(S) FOR TAPERS AND SHIFTS, SIGNAGE AND/ OR PAVEMENT MARKINGS, BUFFER SPACE, ACTIVITY OR WORK AREAS WHERE WORK IS TAKING PLACE, STAGING AREAS FOR WORKERS / MATERIALS / EQUIPMENT, AND TERMINATION AREA SHOWING TRAILING BUFFER SPACE AND TRANSITIONS OF TRAFFIC RETURNING TO NORMAL ALIGNMENT.

DETAILS OF ANY VARIATION FROM THE CONTRACT DOCUMENTS, SUCH AS THE PLACEMENT OF TEMPORARY PORTABLE BARRIER, TEMPORARY SHEETING, TEMPORARY BARRIER VEHICLES, TEMPORARY SIGNALS, TEMPORARY IMPACT ATTENUATORS, COVERING OF EXISTING SIGNAGE, REMOVAL OF PAVEMENT MARKINGS, ETC. SHOULD ALSO BE PROVIDED. BOTH MILEPOSTS AND STATIONS SHALL BE PROVIDED TO IDENTIFY ALL LOCATIONS OF SIGNS OR DEVICES.

THE PROPOSED ALTERNATE PLAN IS TO ADDRESS THE ENTIRE PROJECT AND/ OR ADJACENT PROJECT MOT PLANS AND ANY REQUIRED CORRECTIONS TO ALREADY EXISTING MOT. TRAFFIC FLOW ARROWS SHALL BE SHOWN ON THE PLANS TO CLEARLY INDICATE EACH LANE OF TRAFFIC MAINTAINED.

THE ALTERNATE MOT PLANS SHALL BE PREPARED, SIGNED AND SEALED BY A PROFESSIONAL ENGINEER LICENSED AND REGISTERED IN THE STATE OF OHIO WHO IS KNOWLEDGEABLE ABOUT FUNDAMENTAL PRINCIPLES OF TEMPORARY TRAFFIC CONTROL AND WORK ACTIVITIES TO BE PERFORMED. ALTERNATE MOT PLANS SHALL BE SUBMITTED TO THE CHIEF ENGINEER FOR REVIEW AND APPROVAL.

THE CHIEF ENGINEER WILL REQUIRE A 14 DAY REVIEW PERIOD TO EVALUATE THE PROPOSED ALTERNATE MOT PLAN. NO ALTERNATE PLANS SHALL BE PLACED INTO EFFECT UNTIL APPROVAL HAS BEEN GRANTED IN WRITING BY THE CHIEF ENGINEER. ALL WORK AND TRAFFIC CONTROL DEVICES SHALL BE IN ACCORDANCE WITH SP 614 AND ALL OTHER APPLICABLE PORTIONS OF THE SPECIFICATIONS, AS WELL AS THE CURRENT VERSION OF THE OHIO MANUAL OF UNIFORM TRAFFIC CONTROL DEVICES AND OHIO TURNPIKE AND INFRASTRUCTURE COMMISSION STANDARDS. ALL COSTS ASSOCIATED WITH THE PROPOSED ALTERNATE MOT PLAN WILL BE THE SOLE RESPONSIBILITY OF THE CONTRACTOR NO ADDITIONAL COMPENSATION WILL BE PROVIDED.

## ITEM 614 - WORK ZONE IMPACT ATTENUATOR FOR 24" WIDE HAZARDS (UNIDIRECTIONAL)

THIS ITEM SHALL CONSIST OF FURNISHING AND INSTALLING A NON-GATING IMPACT ATTENUATOR. FURNISH AN IMPACT ATTENUATOR FROM THE OFFICE OF ROADWAY ENGINEERING'S APPROVED LIST FOR WORK ZONE IMPACT ATTENUATORS, FROM THE ROADWAY STANDARD'S WEB PAGE FOR ROADWAY STANDARDS APPROVED PRODUCTS.

INSTALLATION SHALL BE AT THE LOCATIONS SPECIFIED IN THE PLANS IN ACCORDANCE WITH THE MANUFACTURER'S SPECIFICATIONS.

THE CONTRACTOR SHALL REPAIR OR REPLACE A DAMAGED UNIT WITHIN 24 HOURS OF A DAMAGING IMPACT.

WHEN BIDIRECTIONAL DESIGNS ARE SPECIFIED, THE CONTRACTOR SHALL SUPPLY APPROPRIATE TRANSITIONS.

WHEN GATING IMPACT ATTENUATORS ARE DESIRED, THE CONTRACTOR SHALL SUBMIT DOCUMENTATION TO THE ENGINEER FOR ACCEPTANCE.

THE COST FOR THE ADDITIONAL BARRIER REQUIRED FOR A GATING IMPACT ATTENUATOR SHALL BE INCLUDED IN THE COST OF THE GATING IMPACT ATTENUATOR.

ANY IMPACT ATTENUATOR PLACED ON:

- NEW PAVEMENT
- PAVEMENT THAT IS NOT BEING REPLACED AS PART OF THIS PROJECT
- OR PAVEMENT ON AN ACCELERATION/DECELERATION RAMP

SHALL BE AN ANCHORLESS WATER-FILLED IMPACT ATTENUATOR. FURNISH AN ANCHORLESS WATER-FILLED IMPACT ATTENUATOR FROM THE OFFICE OF ROADWAY ENGINEERING'S APPROVED LIST FOR WORK ZONE IMPACT ATTENUATORS, FROM THE ROADWAY STANDARD'S WEB PAGE FOR ROADWAY STANDARDS APPROVED PRODUCTS.

IMPACT ATTENUATORS SHOWN AND QUANTIFIED IN THE PLANS ARE FOR THE PROPOSED MAINTENANCE OF TRAFFIC PHASE LAYOUTS. ADDITIONAL IMPACT ATTENUATORS UTILIZED FOR PHASE SETUP, CONSTRUCTION ACCESS POINTS AND ALTERNATIVE MAINTENANCE OF TRAFFIC METHODS NOT DETAILED IN THESE PLANS SHALL BE INCLUDED IN THE LUMP SUM PRICE BID FOR ITEM SP 614 - MAINTAINING TRAFFIC AND SHALL INCLUDE THE COST OF THE ATTENUATOR, LABOR, MATERIALS AND EQUIPMENT NECESSARY TO SET, RESET AND REMOVE THE IMPACT ATTENUATOR.

PAYMENT FOR THE ABOVE WORK SHALL BE MADE AT THE UNIT PRICE BID AND SHALL INCLUDE ALL LABOR, TOOLS, EQUIPMENT AND MATERIALS NECESSARY TO CONSTRUCT, MAINTAIN AND REMOVE COMPLETE AND FUNCTIONAL IMPACT ATTENUATOR SYSTEM, INCLUDING ALL RELATED BACKUPS, TRANSITIONS, LEVELING PADS, HARDWARE AND GRADING, NOT SEPARATELY SPECIFIED. AS REQUIRED BY THE MANUFACTURER. ANCHOR REMOVAL CAN CAUSE DAMAGE TO THE PAVEMENT SURFACE. PAYMENT SHALL INCLUDE REPAIRING ANY DAMAGE CAUSED DURING REMOVAL.

## ITEM 614 PORTABLE CHANGEABLE MESSAGE SIGN, AS PER PLAN

THE CONTRACTOR SHALL FURNISH, INSTALL, MAINTAIN AND REMOVE, WHEN NO LONGER NEEDED, FOUR (4) PORTABLE CHANGEABLE MESSAGE SIGNS (PCMB). TWO (2) OF THE SIGNS SHALL BE LOCATED NEAR THE PROJECT SITE, ONE FOR EACH DIRECTION OF TRAVEL, FOR THE DURATION OF THE PROJECT. TWO OF THE SIGNS SHALL BE LOCATED APPROXIMATELY TWENTY-FIVE (25) MILES OUTSIDE THE PROJECT LIMITS, ONE FOR EACH DIRECTION OF TRAVEL, AS DIRECTED BY THE ENGINEER FOR THE DURATION OF THE PROJECT. THE SIGNS SHALL BE OF A TYPE SHOWN ON A LIST OF APPROVED CLASS "A" PCMB UNITS MAINTAINED BY THE ODOT DIRECTOR (OFFICE OF MATERIALS MANAGEMENT). THE APPROVED LIST OF PORTABLE CHANGEABLE MESSAGE SIGNS CAN BE FOUND ON THE ODOT WEBSITE BY CLICKING ON THE SERVICES MENU, THEN CLICKING ON MATERIALS MANAGEMENT.

EACH SIGN SHALL BE TRAILER-MOUNTED AND EQUIPPED WITH A FUNCTIONAL DIMMING MECHANISM, TO DIM THE SIGN DURING DARKNESS, AND A TAMPER AND VANDAL PROOF ENCLOSURE. EACH SIGN SHALL BE PROVIDED WITH APPROPRIATE TRAINING AND OPERATION INSTRUCTIONS TO ENABLE ON-SITE PERSONNEL TO OPERATE AND TROUBLESHOOT THE UNIT. THE SIGN SHALL ALSO BE CAPABLE OF BEING POWERED BY AN ELECTRICAL SERVICE DROP FROM A LOCAL UTILITY COMPANY. PCMB SHALL BE DELINEATED ON A PERMANENT BASIS IN ACCORDANCE WITH ODOT CMS 614.03.

THE PCMB LOCATIONS, LIMITS FOR THOSE LOCATIONS AND ALL ACTIVATION OF PCMB SIGNS BY THE CONTRACTOR SHALL BE AS DIRECTED BY THE CHIEF ENGINEER. THE PCMB SHALL BE LOCATED IN A HIGHLY VISIBLE POSITION YET PROTECTED FROM TRAFFIC. THE CONTRACTOR SHALL, AT THE DIRECTION OF THE CHIEF ENGINEER, RELOCATE THE PCMB TO IMPROVE VISIBILITY OR ACCOMMODATE CHANGED CONDITIONS. WHEN NOT IN USE, THE PCMB SHALL BE TURNED OFF. ADDITIONALLY, WHEN NOT IN USE FOR EXTENDED PERIODS OF TIME, THE PCMB SHALL BE TURNED, FACING AWAY FROM ALL TRAFFIC, AND SHALL DISPLAY ONE OR MORE TYPE G YELLOW RETROREFLECTIVE SHEETING SURFACES OF 9-INCH BY 15-INCH MINIMUM SIZE FACING TRAFFIC.

THE CHIEF ENGINEER SHALL BE PROVIDED ACCESS TO EACH SIGN UNIT AND SHALL BE PROVIDED WITH APPROPRIATE TRAINING AND OPERATION INSTRUCTIONS TO ENABLE TURNPIKE MAINTENANCE PERSONNEL TO OPERATE AND TROUBLESHOOT THE UNIT, AND TO REVISE SIGN MESSAGES, IF NECESSARY.

ALL MESSAGES TO BE DISPLAYED ON THE SIGN WILL BE PROVIDED BY THE CHIEF ENGINEER. A LIST OF ALL REQUIRED PRE-PROGRAMMED MESSAGES WILL BE GIVEN TO THE CONTRACTOR AT THE PROJECT PRE-CONSTRUCTION CONFERENCE. THE SIGN SHALL HAVE THE CAPABILITY TO STORE UP TO 99 MESSAGES. MESSAGE MEMORY OR PRE-PROGRAMMED DISPLAYS SHALL NOT BE LOST AS A RESULT OF POWER FAILURES TO THE ON-BOARD COMPUTER. THE SIGN LEGEND SHALL BE CAPABLE OF BEING CHANGED IN THE FIELD. THREE-LINE PRESENTATION FORMATS WITH UP TO SIX MESSAGE PHASES SHALL BE SUPPORTED. PCMB FORMAT SHALL PERMIT THE COMPLETE MESSAGE FOR EACH PHASE TO BE READ AT LEAST TWICE.

THE PCMB SHALL CONTAIN AN ACCURATE CLOCK AND PROGRAMMING LOGIC WHICH WILL ALLOW THE SIGN TO BE ACTIVATED, DEACTIVATED OR MESSAGES CHANGED AUTOMATICALLY AT DIFFERENT TIMES OF THE DAY FOR DIFFERENT DAYS OF THE WEEK.

THE PCMB SHALL CONTAIN A CELLULAR TELEPHONE DATA LINK WHICH WILL (IN ACTIVE CELLULAR PHONE AREAS) ALLOW REMOTE ACTIVATION, MESSAGE CHANGES, MESSAGE ADDITIONS AND REVISIONS TO TIME OF DAY PROGRAMS. THE SYSTEM SHALL ALSO PERMIT VERIFICATION OF CURRENT AND PROGRAMMED MESSAGES. THE PCMB UNIT SHALL CONTAIN A GPS DEVICE WHICH WILL SHOW IT'S LOCATION ON A MAP WHICH CAN BE VIEWED REMOTELY BY THE OTC COMMUNICATIONS CENTER. ONE REMOTE DATA INPUT DEVICE (LAPTOP COMPUTER PLUS MODEM OR EQUIVALENT) SHALL BE FURNISHED FOR USE BY THE OTC COMMUNICATIONS CENTER, OR EQUIVALENT, AND SHALL BE INSURED AGAINST THEFT.)

WHEN A PCMB IS INITIALLY BROUGHT OUT TO THE PROJECT THE CONTRACTOR SHALL CONTACT THE OTC COMMUNICATIONS CENTER WITH THE PCMB NUMBER AND LOCATION. AT THAT TIME THE OTC COMMUNICATIONS WILL VERIFY COMMUNICATION WITH THE PCMB.

WHEN A PCMB IS REPLACED OR RELOCATED THE CONTRACTOR SHALL CONTACT THE OTC COMMUNICATIONS CENTER WITH THE PCMB NUMBER AND LOCATION.

THE PCMB UNIT SHALL BE MAINTAINED IN GOOD WORKING ORDER BY THE CONTRACTOR IN ACCORDANCE WITH THE PROVISIONS OF ODOT CMS 614.07. THE CONTRACTOR SHALL, PRIOR TO ACTIVATING THE UNIT, MAKE ARRANGEMENTS WITH AN AUTHORIZED SERVICE AGENT FOR THE PCMB, TO ASSURE PROMPT SERVICE IN THE EVENT OF FAILURE. ANY FAILURE SHALL NOT RESULT IN THE SIGN BEING OUT OF SERVICE FOR MORE THAN 12 HOURS, INCLUDING WEEKENDS. FAILURE TO COMPLY MAY RESULT IN AN ORDER TO STOP WORK AND OPEN ALL TRAFFIC LANES AND/OR IN THE CHIEF ENGINEER TAKING APPROPRIATE ACTION TO SAFELY CONTROL TRAFFIC. THE ENTIRE COST TO CONTROL TRAFFIC, ACCRUED BY THE OHIO TURNPIKE AND INFRASTRUCTURE COMMISSION DUE TO THE CONTRACTOR'S NONCOMPLIANCE, WILL BE DEDUCTED FROM MONEYS DUE, OR TO BECOME DUE THE CONTRACTOR ON THEIR CONTRACT.

THE CONTRACTOR SHALL BE RESPONSIBLE FOR 24-HOUR-PER-DAY OPERATION AND MAINTENANCE OF THESE SIGNS ON THE PROJECT FOR THE DURATION OF THE PHASES WHEN THE PLAN REQUIRES THEIR USE.

PAYMENT FOR THE ABOVE DESCRIBED ITEM SHALL BE AT THE CONTRACT UNIT PRICE. PAYMENT SHALL INCLUDE ALL LABOR, MATERIALS, EQUIPMENT, FUELS, LUBRICATING OILS, SOFTWARE, HARDWARE AND INCIDENTALS TO PERFORM THE ABOVE DESCRIBED WORK. THE CONTRACTOR SHALL ONLY BE PAID FOR PCMB UNITS WHEN THEY ARE IN OPERATION ON THE PROJECT AS SPECIFIED IN THE PLANS OR BY THE CHIEF ENGINEER.

THE FOLLOWING ESTIMATED QUANTITY HAS BEEN INCLUDED IN THE GENERAL SUMMARY FOR USE AS DIRECTED BY THE CHIEF ENGINEER TO PROVIDE FOUR (4) PORTABLE CHANGEABLE MESSAGE SIGNS, EACH SIGN FOR APPROXIMATELY 120 DAYS, FOR AN ESTIMATED TOTAL OF 480 DAYS.

ITEM 614, PORTABLE CHANGEABLE MESSAGE SIGN, AS PER PLAN 480 DAY

## ITEM 614 - ASPHALT CONCRETE FOR MAINTAINING TRAFFIC

THIS ITEM SHALL CONSIST OF THE CONTRACTOR PROVIDING ITEM-614 ASPHALT CONCRETE FOR MAINTAINING TRAFFIC. THIS ITEM SHALL BE USED FOR WEDGING PURPOSES TO AID IN TRANSITIONING TRAFFIC FROM NORMAL TO MILLED SURFACE AND BACK AT THE PERTINENT TOLL/SERVICE PLAZAS FOR EACH PART OF THE CONTRACT. SMOOTH TRANSITIONS BETWEEN MILLED SURFACES AND PAVED SURFACES SHALL BE MAINTAINED AT ALL TIMES AT TOLL/SERVICE PLAZA ENTRANCE/EXIT. AT NO TIME SHALL TRAFFIC BE SUBJECT TO SUDDEN DIPS, DROP-OFFS OR BUMPS. ASPHALT WEDGING OF TRANSITION AREAS SHALL BE IN ACCORDANCE WITH ODOT STANDARD DRAWING MT-101.90. MATERIAL SUPPLIED FOR THIS ITEM SHALL COMPLY WITH THE REQUIREMENTS OF 614.13.

THIS ITEM SHALL ALSO BE USED FOR CROSSOVER PAVEMENT REPAIRS, AND AS DIRECTED BY THE CHIEF ENGINEER.

PAYMENT FOR THIS ITEM SHALL INCLUDE ALL LABOR, EQUIPMENT AND MATERIAL AND INCIDENTALS NECESSARY TO COMPLETE THIS ITEM INCLUDING PLACING AND REMOVING THE ASPHALT CONCRETE. THIS ITEM SHALL BE PAID FOR AT THE UNIT BID PRICE FOR ITEM 614 - ASPHALT CONCRETE FOR MAINTAINING TRAFFIC.

THE FOLLOWING ESTIMATED QUANTITY HAS BEEN INCLUDED IN THE GENERAL SUMMARY FOR USE AS DIRECTED BY THE CHIEF ENGINEER FOR THE MAINTENANCE OF TRAFFIC.

ITEM 614 - ASPHALT CONCRETE FOR MAINTAINING TRAFFIC .....100 CU. YD.

## RECONSTRUCTED SHOULDER

WHERE REQUIRED FOR THE MAINTENANCE OF RAMP TRAFFIC, A QUANTITY OF TEMPORARY PAVEMENT HAS BEEN PROVIDED TO ENSURE THAT SHOULDER PAVEMENT WILL SUPPORT TRAFFIC DURING CONSTRUCTION OPERATIONS. EXISTING RAMP AND ROADWAY SHOULDERS IMPACTED BY THE MAINTENANCE OF TRAFFIC SHALL BE RECONSTRUCTED TO THE SAME SLOPE AS THE EXISTING SHOULDER PAVEMENT.

RECONSTRUCTED SHOULDER SHALL BE AS PER THE SPECIFICATIONS OF ITEM 615 - PAVEMENT FOR MAINTAINING TRAFFIC, CLASS A AND SHALL BE CONSTRUCTED TO THE SAME WIDTH AS THE EXISTING SHOULDER. THE RECONSTRUCTED SHOULDER SHALL REMAIN IN PLACE AFTER THE COMPLETION OF CONSTRUCTION ACTIVITIES.

ALL COSTS AND MATERIALS ASSOCIATED WITH SHOULDER RECONSTRUCTION SHALL BE INCLUDED IN THE UNIT PRICE BID FOR ITEM 615 - PAVEMENT FOR MAINTAINING TRAFFIC, CLASS A.

## ITEM 615 - PAVEMENT FOR MAINTAINING TRAFFIC, CLASS A, AS PER PLAN

THIS ITEM SHALL BE AS PER SECTION 615 OF THE ODOT C&MS. IN ADDITION, PAYMENT FOR THIS ITEM SHALL INCLUDE ALL LABOR, MATERIALS AND ALL OTHER WORK NECESSARY TO THE CONSTRUCTION AND PLACEMENT OF TEMPORARY PAVEMENT REQUIRED FOR THE MAINTENANCE OF TRAFFIC WHERE SPECIFIED IN THESE PLANS.

PER 254.05 PAVEMENT SURFACE TOLERANCES SHALL BE WITHIN 1/8 INCH PER TEN (10) FEET.

ALL COSTS FOR THE PLACEMENT OF THE TEMPORARY PAVEMENT, LABOR AND MATERIALS, REMOVAL AND RESTORATION AT PROJECT COMPLETION SHALL BE INCLUDED IN THE UNIT PRICE BID FOR ITEM 615 - PAVEMENT FOR MAINTAINING TRAFFIC, CLASS A, AS PER PLAN.

IN ADDITION, ALL COSTS ASSOCIATED WITH MAINTENANCE OF TRAFFIC DRAINAGE ITEMS, LABOR AND MATERIALS, INCLUDING ANY TEMPORARY RELOCATION AND RESTORATION OF UTILITIES DISTURBED AND SITE RESTORATION SHALL BE INCLUDED IN THE UNIT PRICE BID FOR ITEM 615 - PAVEMENT FOR MAINTAINING TRAFFIC, CLASS A, AS PER PLAN.

1	ADDENDUM NO. 1	LOB	10/11/16
-	-	-	-
NO.	REVISIONS	BY	DATE

**OHIO TURNPIKE AND  
INFRASTRUCTURE COMMISSION**  
MAINTENANCE OF TRAFFIC NOTES  
SHEET 4 OF 5 SANDUSKY COUNTY

<b>GPD GROUP</b>			
520 South Main Street, Suite 2531, Akron, Ohio 44311			
DESIGNED: ADG			CHECKED: LOB
DRAWN: ADG			DATE: 08/26/16
IN CHARGE: MRG			SCALE: N.T.S.

PROJECT NO. 39-17-01 SHEET 19 OF 272

SHEET NUMBER														ITEM	GRAND TOTAL	UNIT	DESCRIPTION	REF. NO.
16		17		18		19		20		34		35					MAINTENANCE OF TRAFFIC	
										300				606	300	FT	GUARDRAIL, TYPE MGS	
										2				606	2	EACH	ANCHOR ASSEMBLY, MGS TYPE E	
										2				606	2	EACH	ANCHOR ASSEMBLY, MGS TYPE T	
												470		614	470	FT	LINEAR DELINEATION	
												16		614	16	EACH	WORK ZONE IMPACT ATTENUATOR FOR 24" WIDE HAZARDS (UNIDIRECTIONAL)	
		10												614	10	EACH	REPLACEMENT SIGN	
		2												614	2	EACH	WORK ZONE CROSSOVER LIGHTING SYSTEM	
						100								614	100	CU YD	ASPHALT CONCRETE FOR MAINTAINING TRAFFIC	
												1,038		614	1,038	EACH	OBJECT MARKER, ONE WAY	
												685		614	685	EACH	OBJECT MARKER, TWO WAY	
										0.45				614	0.45	MILE	WORK ZONE LANE LINE, CLASS I, 642 PAINT (4")	
										27.65				614	27.65	MILE	WORK ZONE EDGE LINE, CLASS I, 642 PAINT (4")	
										10.90				614	10.90	MILE	WORK ZONE EDGE LINE, CLASS I, 642 PAINT (6")	
										8,334				614	8,334	FT	WORK ZONE CHANNELIZING LINE, CLASS I, 642 PAINT (8")	
										3,492				614	3,492	FT	WORK ZONE DOTTED LINE, CLASS I, 642 PAINT (4")	
						480								614	480	DAY	PORTABLE CHANGEABLE MESSAGE SIGN, AS PER PLAN	19
		6,000												SP 614	6,000	hour	ZONE PERSON	
										821				615	821	SQ YD	PAVEMENT FOR MAINTAINING TRAFFIC, CLASS A, AS PER PLAN	19
				1,500										616	1,500	MGAL	WATER	
				25										SP 621	25	EACH	RAISED PAVEMENT MARKER - STIMSONITE MODEL 101 LPCR	
				25										SP 621	25	EACH	REPLACEMENT PRISMATIC RETRO-REFLECTOR	
				25										SP 621	25	EACH	REPLACEMENT RAISED PAVEMENT MARKER CASTING - STIMSONITE MODEL 101 LPCR	
				LUMP										SP 622A	LUMP		TEMPORARY PORTABLE BARRIER, 32" (WITH GLARE SCREEN)	
				LUMP										SP 622A	LUMP		TEMPORARY CONCRETE BARRIER, 32" (WITHOUT GLARE SCREEN)	
								750						SP 626	750	EACH	BARRIER REFLECTOR, TYPE B (WHITE)	
										948				SP 626A	948	EACH	CONSTRUCTION ZONE MARKER, ONE-WAY MODEL, WHITE	
										663				SP 626A	663	EACH	CONSTRUCTION ZONE MARKER, ONE-WAY MODEL, YELLOW	
				500										630	500	SQ FT	SIGNING MISC.: ADDITIONAL SIGNS WITH SUPPORTS, AS DIRECTED BY THE CHIEF ENGINEER	18
										1.78				SP 641	1.78	MILE	4" TEMPORARY EDGE LINE	
										7.09				SP 641	7.09	MILE	6" TEMPORARY EDGE LINE	
										2,375				SP 641	2,375	FT	8" TEMPORARY CHANNELIZING LINE	
				15.10										SP 641C	15.10	MILE	REMOVAL OF PAVEMENT MARKING	
				2,510										SPECIAL	2,510	FT	"SNAP" MILL AND FILL	18
				LUMP										SPECIAL	LUMP		EXISTING CROSSOVER TO BE CLOSED/RE-OPENED	

Drawing File: c:\2013\2013115\mot\sheet\2013115M001.dwg Layout: Model  
 Date: 08-13-2016 Time: 4:58 PM Page: 1 of 1

Technician: lblankenship

1	ADDENDUM NO. 1	LOB	10/11/16
-	-	-	-
NO.	REVISIONS	BY	DATE

**OHIO TURNPIKE AND INFRASTRUCTURE COMMISSION**  
 MAINTENANCE OF TRAFFIC  
 GENERAL SUMMARY  
 M.P. 90.00 TO M.P. 95.90 SANDUSKY COUNTY

**GPD GROUP**  
Glenn, Pyle, Schwann, Burns & DeHaven, Inc. 330-572-2100  
520 South Main Street, Suite 2531, Akron, Ohio 44311 Fax 330-572-2101

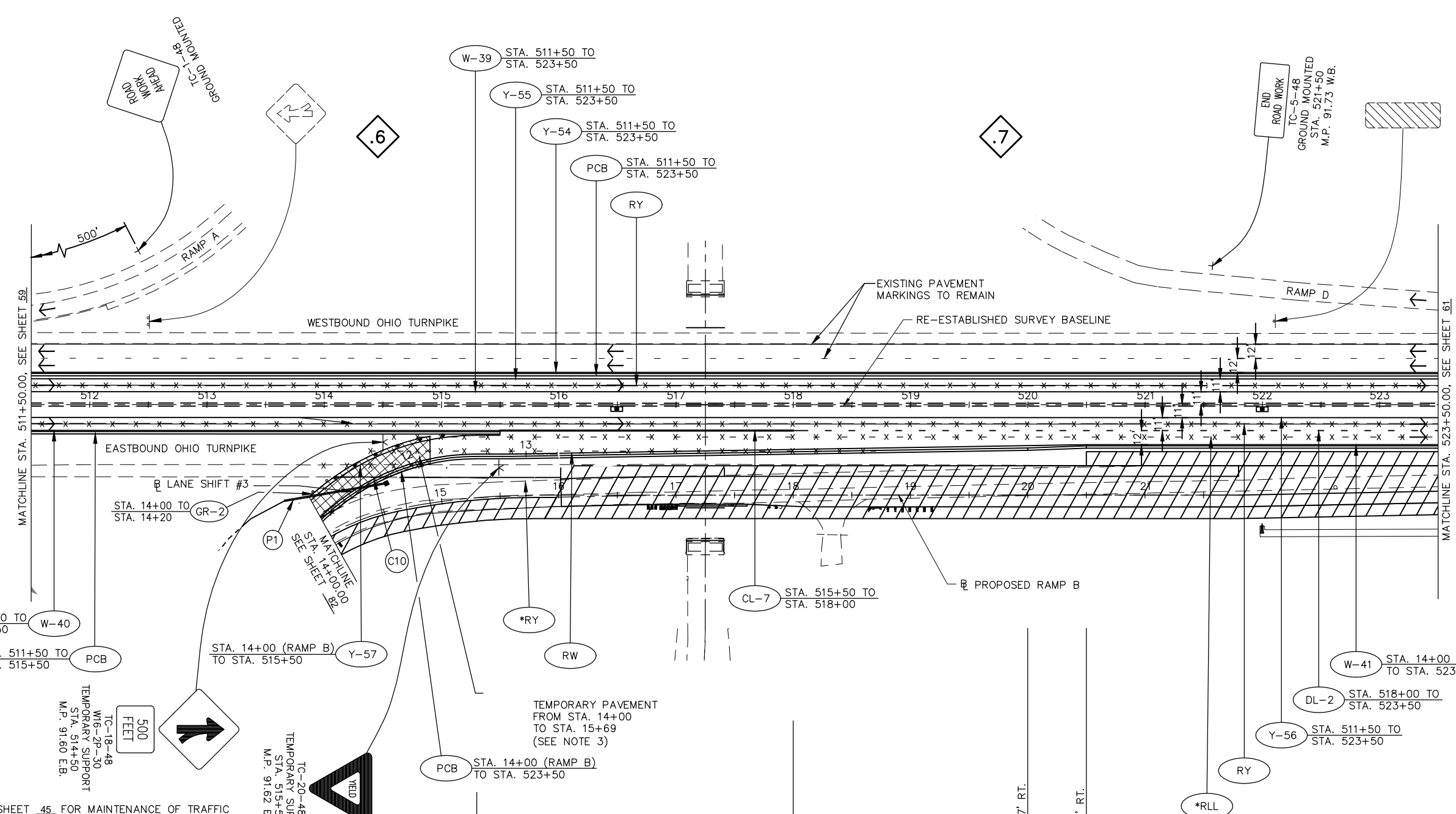
DESIGNED: LOB	CHECKED: AKF	DATE: 08/26/16
DRAWN: ANL	IN CHARGE: MRG	SCALE: N.T.S.

**PROJECT NO. 39-17-01 SHEET 21 OF 272**





P1 TEMPORARY STORM SEWER, 12"  
 BEGIN STA. 513+66.2, 82.0' RT.  
 END STA. 514+52.9, 66.9' RT.  
 BEGIN INV. = 594.56  
 END INV. = 595.00  
 LENGTH = 88'  
 (SMOOTH INTERIOR PIPE)



- NOTE: 1. SEE SHEET 45 FOR MAINTENANCE OF TRAFFIC LEGEND.
2. TEMPORARY PAVEMENT AND MAINTENANCE OF TRAFFIC DRAINAGE ITEMS SHALL BE PAID FOR UNDER ITEM 615-PAVEMENT FOR MAINTAINING TRAFFIC, CLASS A, AS PER PLAN. TEMPORARY EMBANKMENT SHALL BE PAID FOR UNDER ITEM 615-PAVEMENT FOR MAINTAINING TRAFFIC, CLASS A, AS PER PLAN.
3. TEMPORARY PAVEMENT IS TO BE CONSTRUCTED AS PREPHASE WORK PRIOR TO PHASE 1 UNDER TEMPORARY TRAFFIC CONTROL OTIC STANDARD DRAWINGS, DROP OFF WHEN CONSTRUCTING TEMPORARY PAVEMENT IS TO BE PROTECTED WITH PORTABLE CONCRETE BARRIER PAID FOR UNDER SP614.
4. ANY TEMPORARY RELOCATION AND THE SUBSEQUENT RESTORATION OF ANY UTILITIES RELOCATED DUE TO THE PLACEMENT OF THESE MAINTENANCE OF TRAFFIC MEASURES SHALL BE INCLUDED IN THE COST OF ITEM 615-PAVEMENT FOR MAINTAINING TRAFFIC, CLASS A, AS PER PLAN.

INSTALL ODOT 2-2B CATCH BASIN,  
 STA. 514+52.9, 66.9' RT.

END LANE SHIFT #3, Q, 34' RT.  
 END SHIFT Y, 26' RT.  
 END SHIFT W, 42' RT.  
 END SHIFT PCB, 45' RT.  
 STA. 515+30

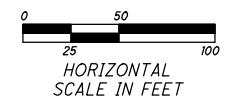
END CL, 22' RT.  
 BEGIN DL, 22' RT.  
 STA. 515+50

END CL, 22' RT.  
 BEGIN DL, 22' RT.  
 STA. 518+00

BEGIN SHIFT (PCB), 37' RT.  
 STA. 520+00

END TAPER (PCB), 35' RT.  
 STA. 520+50

C10 PROPOSED CURVE (@ LANE SHIFT #3)  
 P.I. STA. 514+23.47, 42.00' RT.  
 $\Delta = 58^{\circ} 02' 42''$   
 $D_c = 29^{\circ} 50' 30''$   
 $R = 192.00'$   
 $T = 106.53'$   
 $L = 194.51'$   
 $E = 27.57'$   
 P.C.C. STA. 513+67.09, 132.38' RT.  
 P.T. STA. 515+30.00, 42.00' RT.



1	ADDENDUM NO. 1	LOB	10/11/16
-	-	-	-
NO.	REVISIONS	BY	DATE

91

## OHIO TURNPIKE AND INFRASTRUCTURE COMMISSION

### MAINTENANCE OF TRAFFIC - PHASE 2A

STA. 511+50.00 TO STA. 523+50.00

M.P. 90.00 SANDUSKY COUNTY

**GPD GROUP**  
Glenn, Pyle, Schomer, Burns & DeHeaven, Inc.  
 520 South Main Street, Suite 2531, Akron, Ohio 44311 Fax 330-572-2101

DESIGNED: ADG	CHECKED: LOB	DATE: 08/26/16
DRAWN: DGD	IN CHARGE: MRG	SCALE: 1"=50'

PROJECT NO. 39-17-01 SHEET 60 OF 272

Drawing File: c:\2013\20131715\mof\hseries\20131715MPT015.dwg Layout: 511+50 to 523+50  
 Date: 08/12/2016 Time: 1:59 pm User: jls272633  
 Technician: lblankenship

SHEET NUMBER												ITEM	GRAND TOTAL	UNIT	DESCRIPTION	REF. NO.			
9	10	11	12	13	14	15	107	108	109	111	112						INSERT 1	INSERT 2	
															201	LUMP	1	CLEARING AND GRUBBING	
								24							202	24	EACH	CATCH BASIN OR INLET REMOVED	
								1360							202	1360	FT	PIPE REMOVED	
								14883							202	14883	FT	GUARDRAIL REMOVED	11
		3075													202	3075	FT	GUARDRAIL REMOVED FOR SALVAGE, AS PER PLAN	
															202	9	EACH	HEADWALL REMOVED	
								3879							202	3879	FT	CURB REMOVED	
								398							202	398	FT	CONCRETE BARRIER REMOVED	
										120080					202	120080	SQ YD	PAVEMENT REMOVED	
							692	2064		27284					203	30040	CU YD	EXCAVATION	
				1800											203	1800	CU YD	ROADWAY EXCAVATION AND EMBANKMENT	
							462	2135							203	2597	CU YD	EMBANKMENT	
								1786							203	1786	CU YD	EMBANKMENT WITH RACP, AS PER PLAN	4
								242							204	40509	CU YD	EXCAVATION INCLUDING EMBANKMENT, AS PER PLAN	INSERT 2
													40267		203	20133	CU YD	BORROW	
															203	230	CU YD	GRANULAR MATERIAL, TYPE C	
															203	2862	CU YD	GRANULAR EMBANKMENT, AS PER PLAN (SHEAR KEY)	INSERT 2
															203	95	CU YD	GRANULAR EMBANKMENT, AS PER PLAN (NO. 8 AGGREGATE)	INSERT 2
				178				3566							204	3744	CU YD	EXCAVATION	
															204	970	SQ YD	GEOTEXTILE FABRIC, 712.09, TYPE A	
															204	7329	SQ YD	GEOTEXTILE FABRIC, TYPE B	
															204	227	SQ YD	TYPE D GEOTEXTILE, 712.09	
										1636					204	1863	SQ YD	SUBGRADE COMPACTION	
															SP 519	221	SQ FT	PATCHING CONCRETE STRUCTURES	
															SP 519C	51	SQ FT	PATCHING CONCRETE STRUCTURES WITH TROWELABLE MORTAR	
															526	1595	SQ YD	REINFORCED CONCRETE APPROACH SLAB, (T=12")	
								1029		1595					SP 536	1029	SQ YD	CONCRETE WEATHERPROOFING, BARRIERS AND PARAPETS	
								15201							606	15201	FT	GUARDRAIL, TYPE MGS, USING LONG STEEL POSTS	
								8							606	8	EACH	ANCHOR ASSEMBLY, TYPE T, USING LONG STEEL POSTS	
								6							606	6	EACH	BRIDGE TERMINAL ASSEMBLY, TYPE 1, USING LONG STEEL POSTS	
								8							606	8	EACH	BRIDGE TERMINAL ASSEMBLY, TYPE 1, USING LONG STEEL POSTS, AS PER PLAN	10
								2							606	2	EACH	BRIDGE TERMINAL ASSEMBLY, TYPE 2, USING LONG STEEL POSTS	
								7							606	7	EACH	BRIDGE TERMINAL ASSEMBLY, TYPE 2, USING LONG STEEL POSTS, AS PER PLAN	10
								12							606	12	EACH	ANCHOR ASSEMBLY, MGS TYPE E, AS PER PLAN	10
								5865							609	5865	FT	ASPHALT CONCRETE CURB, TYPE 1, PG64-22	
								247							609	247	FT	CURB, TYPE 4-C	
								650							622	650	FT	CONCRETE BARRIER, TYPE B-50, AS PER PLAN	10
								4							622	4	EACH	CONCRETE BARRIER, END ANCHORAGE REINFORCED, TYPE B-50	
								4							622	4	EACH	CONCRETE BARRIER, END ANCHORAGE REINFORCED, TYPE D	
								8							622	8	EACH	CONCRETE BARRIER, END SECTION, TYPE D	
								163							622	163	FT	CONCRETE BARRIER, SINGLE SLOPE, TYPE D, (42"), AS PER PLAN	10
															622	87	FT	MEDIAN BARRIER WALL	
															861	227	SQ YD	GEOGRID FOR SUBGRADE STABILIZATION, AS PER PLAN, TENSAR TRIAX 160 GEOGRID	
															4030		CU YD	LIMESTONE SAND	INSERT 1

Drawing File: c:\2013\201315\roadway\sheets\20131565001.dwg  
 Date: 07/20/16 Time: 8:08 am  
 Technician: chuff

1	ADDENDUM NO. 1	CLH	07/11/16
-	-	-	-
NO.	REVISIONS	BY	DATE

**OHIO TURNPIKE AND INFRASTRUCTURE COMMISSION**  
 GENERAL SUMMARY  
 M.P. 90.00 TO M.P. 95.90 SANDUSKY COUNTY

**GPD GROUP**  
Glass, Pyle, Schwanz, Burns & DeHaven, Inc.  
 520 South Main Street, Suite 2531, Akron, Ohio 44311 Fax 330-572-2100

DESIGNED: CLH	CHECKED: PJF	DATE: 08/26/16
DRAWN: CLH	IN CHARGE: MRG	SCALE: N.T.S.

PROJECT NO. 39-17-01 SHEET 104 OF 272





### GUARDRAIL/BARRIER SUBSUMMARY

REF NO.	SHEET NO.	STATION TO STATION		SIDE	TOTAL LENGTH FT.	202		606							622					SP 536	SP 626*	SP 626*
						GUARDRAIL REMOVED FT.	CONCRETE BARRIER REMOVED FT.	GUARDRAIL, TYPE MGS, USING LONG STEEL POSTS FT.	ANCHOR ASSEMBLY, TYPE T, USING LONG STEEL POSTS EACH	ANCHOR ASSEMBLY, MGS TYPE E, AS PER PLAN EACH	BRIDGE TERMINAL ASSEMBLY, TYPE 1, USING LONG STEEL POSTS EACH	BRIDGE TERMINAL ASSEMBLY, TYPE 1, USING LONG STEEL POSTS, AS PER PLAN EACH	BRIDGE TERMINAL ASSEMBLY, TYPE 2, USING LONG STEEL POSTS EACH	BRIDGE TERMINAL ASSEMBLY, TYPE 2, USING LONG STEEL POSTS, AS PER PLAN EACH	CONCRETE BARRIER, TYPE B-50, AS PER PLAN FT.	CONCRETE BARRIER, END ANCHORAGE, REINFORCED, TYPE B-50 EA	CONCRETE BARRIER, END ANCHORAGE, REINFORCED, TYPE D EA	CONCRETE BARRIER, END SECTION, TYPE D EA	CONCRETE BARRIER, SINGLE SLOPE, TYPE D, (42") AS PER PLAN FT.	CONCRETE WEATHERPROOFING, BARRIERS AND PARAPETS SQ. YD.	BARRIER REFLECTOR, TYPE A EACH	BARRIER REFLECTOR, TYPE B EACH
																				FROM	TO	FT.
GR-01	123,124	435+90.62	439+70.64	RT.	380	372	300.00		1		1								4			
GR-02	124	440+86.07	448+05.66	RT.	720	714	692.69				1								8			
GR-03	124-126	449+29.59	469+59.81	RT.	2034	2033	1999.48				1								21			
GR-04	126-128	471+74.95	489+52.99	RT.	1778	1731	1696.14			1							1		18		2	
GR-05	128,129	98+04.38	102+79.79	RT.	475	249	412.50	1	1									6				
GR-06	130	513+73.13	517+85.60	RT.	412	500	280.77	1	1	1	1	1				2	32.00	53.2	4	2		
GR-21	130,131	518+68.21	535+43.37	RT.	1675	447	1600.00					1							17		1	
GR-07	132,133	537+01.63	547+58.11	RT.	1056	1057	1029.58							1					12			
GR-08	133-135	557+24.71	574+38.28	RT.	1727	1720	1687.50	1											18			
GR-09	136	587+54.29	592+08.81	RT.	455	374	325.00		1	1							1	1	5	2		
GR-10	137	603+41.88	607+70.00	RT.	428	425	362.50	1	1										5			
GR-11	138	613+91.26	618+87.78	RT.	497	422	362.50		1	1							1	1	5	2		
GR-12	140,141	640+42.37	650+29.62	RT.	987	936	827.33			1	1	1	1				2	29.50	51.0	10		
GR-13	141,142	651+54.84	657+04.84	RT.	550	541	537.50	1						1					7			
GR-14	143,144	673+94.64	681+48.16	RT.	754	705	625.00		1	1								1	1	8	2	
GR-15	144,145	690+84.38	695+12.50	RT.	428	413	362.50	1	1										5			
GR-16	145,146	703+59.59	713+14.61	RT.	955	947	875.00					1							10			
GR-17	146,147	714+70.25	723+45.25	RT.	875	871	862.50	1											10			
GR-18	148	734+84.38	739+12.50	RT.	428	425	362.50	1	1										5			
GR-19	121	409+35.00	412+85.00	MED	350													350	2	5		
GR-20	149	745+50.00	748+50.00	MED	300													300	2	4		
TOTALS CARRIED TO GENERAL SUMMARY						14883	398	15201	8	12	6	8	2	7	650	4	4	8	163	1029	187	11

### CURB SUBSUMMARY

REF NO.	SHEET NO.	STATION TO STATION		SIDE	TOTAL LENGTH FT.	202		609	
						CURB REMOVED FT.	ASPHALT CONCRETE CURB, TYPE 1, PG64-22 FT.	CURB, TYPE 4-C FT.	
									FROM
C-01	180	439+45.36	439+50.55	RT.	5.2	2		5.2	
C-02	181	447+84.93	447+93.48	RT.	8.6			8.6	
C-03	181	449+46.03	449+49.75	RT.	3.7			3.7	
C-04	124-126,181-183	450+46.00	469+33.71	RT.	1883.9	902	1868.9		
C-05	126-128,182	471+92.85	488+95.49	RT.	1702.6	519	1648.7	33.0	
C-06		NOT USED							
C-07	130	516+81.79	517+00.77	RT.	19.0			19.0	
C-08	183	535+15.20	535+29.57	RT.	14.4	13	8.9	2.5	
C-09	132,183,184	537+19.19	547+40.66	RT.	1021.5	1034	970.3	36.2	
C-10	133,134,184	557+42.18	561+36.16	RT.	407.6	357	382.7	21.9	
C-11	136	591+37.81	591+56.81	RT.	19.0			19.0	
C-12	138	618+12.28	618+31.28	RT.	19.0			19.0	
C-13	140	644+25.89	644+44.89	RT.	19.0			19.0	
C-14	185	650+08.52	650+13.92	RT.	5.4	6		5.4	
C-15	185	651+72.86	651+95.72	RT.	22.9	23	13.6	6.3	
C-16	144	680+78.16	680+97.16	RT.	19.0			19.0	
C-17	146,186	708+00.00	712+97.08	RT.	497.1	510	492.6	1.5	
C-18	147,186	714+91.34	720+02.00	RT.	510.7	512	479.9	27.8	
TOTALS CARRIED TO GENERAL SUMMARY						3879	5865	247	

### BERM TREATMENT SUBSUMMARY

LOCATION	LENGTH FT.	SHOULDER WIDTH FT.	SURFACE AREA SQ. FT.	204		203	SP 617	617	SP 627
				EXCAVATION INCLUDING EMBANKMENT, AS PER PLAN (SEE NOTE BELOW) CU. YD.	EXCAVATION CU. YD.	EMBANKMENT WITH RACP, AS PER PLAN CU. YD.	COMPACTED AGGREGATE (T=6") CU. YD.	SHOULDER PREPARATION, AS PER PLAN SQ. YD.	STONE SHOULDER PROTECTION (T=3") TON
SHLDR. WITHOUT BARRIER OR CURB	12670	3.00	38010		1746	875	704	4223	
SHLDR. WITH GUARDRAIL/NO CURB	13200	3.00	39599		1819	911		4400	346.5
SHLDR. WITH GUARDRAIL, TYPE 1 CURB	2723	2.17	5897	218				655	51.6
SHLDR. WITH GUARDRAIL, TYPE 4C CURB	166	2.50	415	24				46	3.6
TOTALS CARRIED TO GENERAL SUMMARY				242	3566	1786	704	9325	402

ITEM 204 - EXCAVATION INCLUDING EMBANKMENT, AS PER PLAN AND  
ITEM 204 - EXCAVATION WAS CALCULATED USING PLANIMETERED END AREAS.

SHOULDERS WITH NO BARRIER OR CURB END AREA = 3.7216 S.F.  
SHOULDERS WITH CONCRETE CURB END AREA = 2.1601 S.F.  
SHOULDERS WITH ASPHALT CURB END AREA = 3.9433 S.F.

THIS EXCAVATION MATERIAL CAN THEN USED FOR THE EMBANKMENT AROUND THE EDGE COURSE IN THE CURBED AREAS IF IT MEETS THE REQUIREMENTS OF 203.03.

### EARTHWORK & SEEDING SUBSUMMARY

LOCATION	203		659			
	EXCAVATION	EMBANKMENT	SEEDING AND MULCHING			
	C.Y.	C.Y.	S.Y.			
RAMP B	1433	2040	5796			
RAMP C	631	95	1501			
DITCH CLEANOUT AREA			25324			
SHOULDER GRADING AREA			23965			
TOTAL CARRIED TO GENERAL NOTES SHEET 15.				56587		
TOTALS CARRIED TO GENERAL SUMMARY				2064	2135	

1	ADDENDUM NO. 1	CLH	10/12/16
-	-	-	-
NO.	REVISIONS	BY	DATE

## OHIO TURNPIKE AND INFRASTRUCTURE COMMISSION

### ROADWAY SUBSUMMARIES

M.P. 90.00 TO M.P. 95.90 SANDUSKY COUNTY

**GPD GROUP**  
Glen, Pyle, Schaefer, Burns & DeHaven, Inc.  
520 South Main Street, Suite 2531, Akron, Ohio 44311 Fax 330-572-2100

DESIGNED: CLH	CHECKED: P.J.F.	DATE: 08/26/16
DRAWN: CLH	IN CHARGE: MRG	SCALE: N.T.S.

PROJECT NO. 39-17-01 SHEET 107 OF 272



95

.1

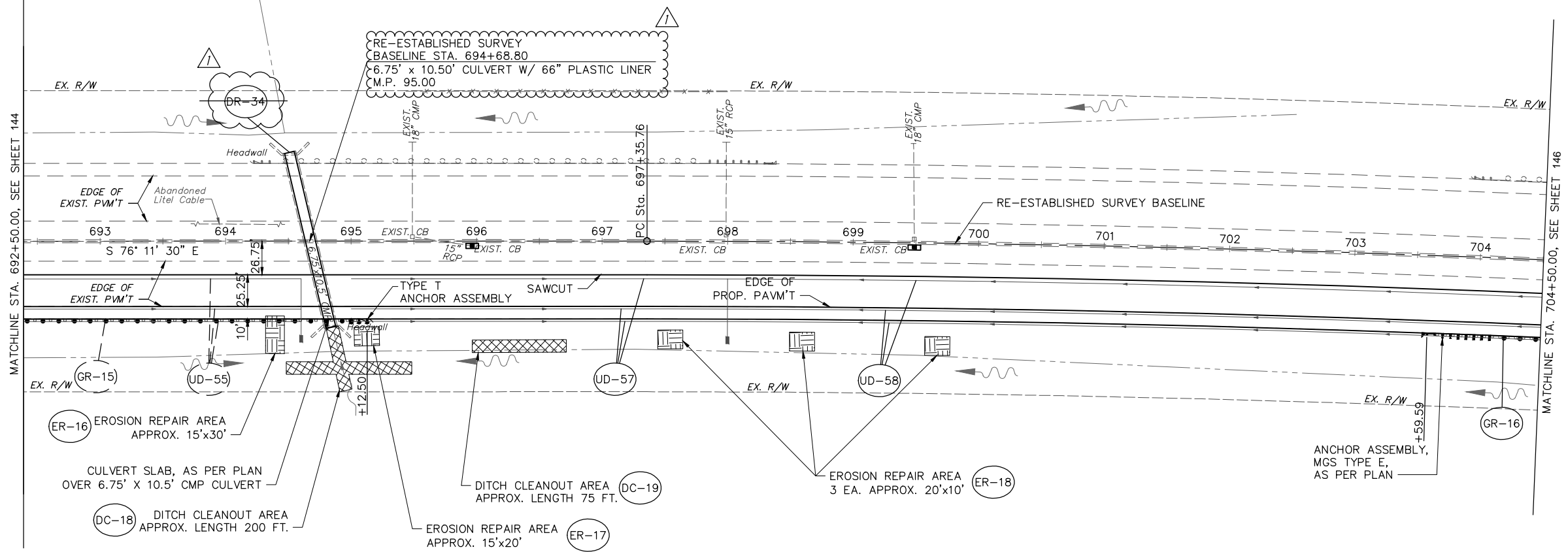
.2

FOR ROADWAY QUANTITIES AND LIMITING STATIONS SEE SUB-SUMMARY SHEET 107.

FOR PAVEMENT QUANTITIES SUB-SUMMARY SEE SHEETS 110 TO 111.

FOR UNDERDRAIN QUANTITIES AND LIMITING STATIONS SEE SUB-SUMMARY ON SHEET 109.

FOR DRAINAGE QUANTITIES AND LIMITING STATIONS SEE SUB-SUMMARY ON SHEET 108.



MP  
95

RE-ESTABLISHED SURVEY BASELINE CURVE DATA  
 P.I. STA. 702+36.33  
 $\Delta=03^{\circ}20'10''$  RT.  
 $D_c=00^{\circ}20'00''$   
 $R=17188.74'$   
 $T=500.57'$   
 $L=1000.85'$   
 $E=7.29'$   
 $e_{MAX}=0.0156$  Ft./Ft.  
 PC STA. 697+35.76  
 PT STA. 707+36.61

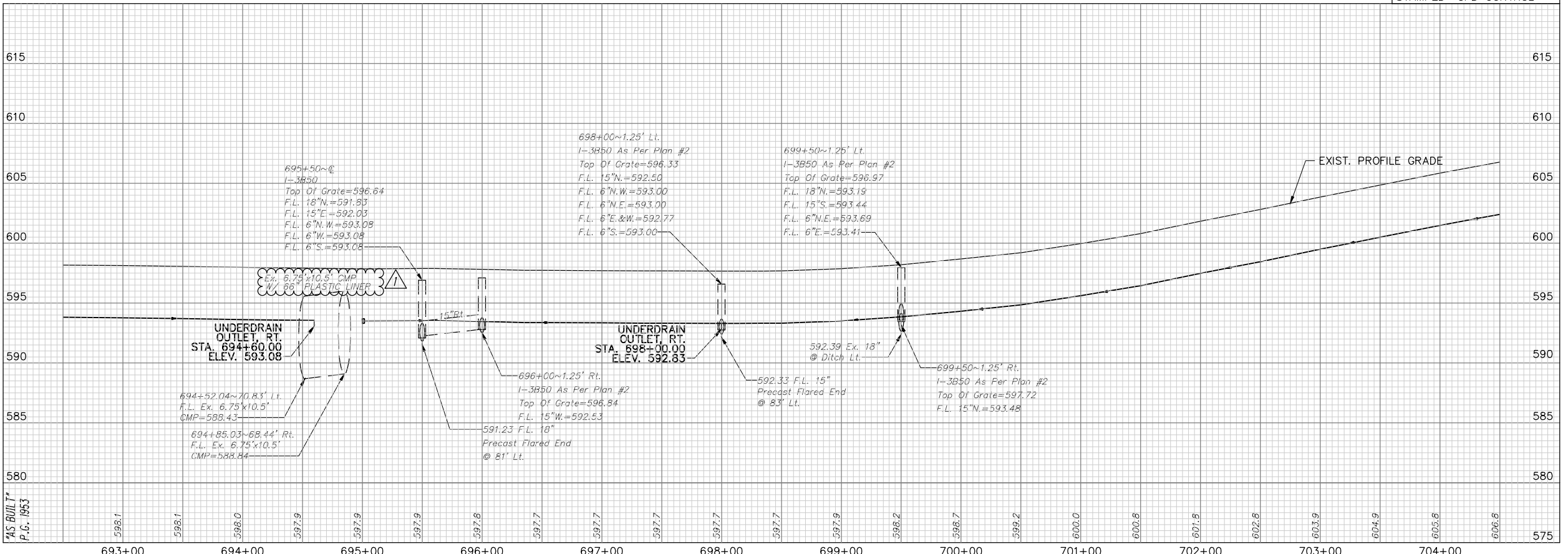
BENCHMARK 31  
 STA. 695+36.04, 65.94' RT.  
 ELEV. 596.704  
 5/8" IRON PIN W/ RED CAP  
 STAMPED "GPD CONTROL"

**LEGEND**

- CROSSOVER CONSTRUCTION
- EROSION REPAIR AREA
- SLOPE REPAIR AREA
- DITCH CLEANOUT AREA



0 50 100  
 25  
 HORIZONTAL SCALE IN FEET



1	ADDENDUM NO. 1	CLH	10/14/16
-	-	-	-
NO.	REVISIONS	BY	DATE

**OHIO TURNPIKE AND INFRASTRUCTURE COMMISSION**

PLAN AND PROFILE  
 STA. 692+50.00 TO STA. 704+50.00  
 M.P. 90.00 TO M.P. 95.90 SANDUSKY COUNTY

**GPD GROUP**  
 Glass, Pyle, Schuster, Burns & DeHaven, Inc.  
 520 South Main Street, Suite 2531, Akron, Ohio 44311 Fax 330-572-2101

DESIGNED: CLH CHECKED: PJF DATE: 08/26/16  
 DRAWN: RTG IN CHARGE: MRG SCALE: 1"=50'

PROJECT NO. 39-17-01 SHEET 145 OF 272

Drawing File: c:\2013\2013115\Roadway\Sheets\2013115\001.dwg Layout: TO 704+50  
 Date: 08/14/2016 Time: 08:57 am Plot: -157079653  
 P.C. 1953  
 Technician: pfy



CONSTRUCTION SPECIFICATIONS

THE STATE OF OHIO DEPARTMENT OF TRANSPORTATION, CONSTRUCTION AND MATERIALS SPECIFICATIONS DATED JANUARY, 2010, AND THE SPECIAL PROVISIONS CONTAINED IN THE CONTRACT DOCUMENTS SHALL GOVERN THIS PROJECT.

SCOPE OF WORK

THE SCOPE OF WORK AT EACH STRUCTURE GENERALLY INCLUDES, BUT IS NOT LIMITED TO THE ITEMS LISTED ON EACH GENERAL PLAN AND ELEVATION DRAWING. THE SEQUENCE OF ITEMS LISTED DOES NOT INDICATE THE ACTUAL SEQUENCE OF CONSTRUCTION.

EXISTING STRUCTURE VERIFICATION

DETAILS, DIMENSIONS, AND ELEVATIONS SHOWN ON THESE PLANS PERTAINING TO THE EXISTING STRUCTURE HAVE BEEN OBTAINED FROM PLANS OF THE EXISTING STRUCTURE AND/OR FROM FIELD OBSERVATIONS AND MEASUREMENTS. CONSEQUENTLY, THEY ARE INDICATIVE OF THE EXISTING STRUCTURE AND THE PROPOSED WORK BUT THEY SHALL BE CONSIDERED TENTATIVE AND APPROXIMATE. CONTRACT BID PRICES SHALL BE BASED UPON A RECOGNITION OF THE UNCERTAINTIES DESCRIBED ABOVE AND UPON A PRE-BID EXAMINATION OF THE EXISTING STRUCTURE BY THE CONTRACTOR. HOWEVER, ALL PROJECT WORK SHALL BE BASED UPON ACTUAL DETAILS, DIMENSIONS, ELEVATIONS, AND SKEW ANGLES WHICH SHOULD BE FIELD VERIFIED BY THE CONTRACTOR. THE STRUCTURAL STEEL AND STRUCTURAL STEEL DECK JOINTS SHALL NOT BE FABRICATED UNTIL THE ACTUAL DETAILS, DIMENSIONS, ELEVATIONS, AND SKEW ANGLES HAVE BEEN FIELD VERIFIED BY THE CONTRACTOR. THE ORIGINAL CONSTRUCTION PLANS OF THE EXISTING BRIDGES ARE AVAILABLE FOR REVIEW UPON REQUEST AT THE OHIO TURNPIKE AND INFRASTRUCTURE COMMISSION OFFICE, 682 PROSPECT STREET, BEREA, OHIO 44017.

ITEM SP 516B SEALING OF CONSTRUCTION JOINTS

THIS WORK SHALL INCLUDE SEALING THE EXISTING LONGITUDINAL CONSTRUCTION JOINT BETWEEN THE EXISTING CONCRETE DECK AND PARAPET, AND ALONG INSTALLED EXPANSION JOINTS PER SP 533D. THIS ITEM SHALL ALSO BE USED AS DIRECTED BY THE ENGINEER TO SEAL MISCELLANEOUS CRACKS WITHIN THE ABUTMENTS SLABS AND SUPERSTRUCTURE DECK SLABS. ALL WORK SHALL BE IN ACCORDANCE WITH SP519B. PROVIDE DRIED SAND OR OTHER APPROVED FINE AGGREGATE FOR USE IN SEALING CRACKS GREATER THAN A SPECIFIC WIDTH STIPULATED BY THE PRODUCT MANUFACTURER.

ITEM SP 516G REPLACE EXPANSION BEARING DEVICE (BARK CREEK STRUCTURE MP 94.2)

ELASTOMERIC EXPANSION BEARING REPLACEMENT UNDER THIS ITEM SHALL BE PERFORMED ONLY AS DIRECTED BY THE ENGINEER IN THE EVENT THAT OVER-EXPANDED ELASTOMERIC BEARINGS AT THE FORWARD ABUTMENT DO NOT PROPERLY RETURN TO THEIR UNDEFORMED SHAPE AFTER ATTEMPTS TO REPOSITION THEM UNDER ITEM SPECIAL - REPOSITION ELASTOMERIC EXPANSION BEARING. SHOULD THE ENGINEER ORDER REPLACEMENT OF THESE BEARINGS, IT IS THE INTENT TO REPLACE THE EXISTING ELASTOMERIC BEARINGS IN KIND ACCORDING TO THE DIMENSIONS AND DETAILS INDICATED BELOW AND FIELD VERIFIED BY THE CONTRACTOR.

REPLACEMENT BEARINGS SHALL CONFORM TO THE FOLLOWING DIMENSIONS (TO BE VERIFIED BY THE CONTRACTOR AT EACH LOCATION):

- PAD SIZE (W x L): 11" x 7", 2.125" TOTAL THICKNESS
EXTERNAL LAYER THICKNESS, te: 0.150"
INTERNAL LAYER THICKNESS, ti: 0.217", 6 LAYERS REQUIRED
INTERNAL STEEL LAMINATE THICKNESS: 0.0747", 7 LAMINATES REQUIRED
LOAD PLATE (W x L): 15" x 8"
LOAD PLATE THICKNESS: 2" ±
LOAD PLATE FILLET SIZE: 3/8"
DEAD LOAD: 26.98 K
LIVE LOAD (NO IMPACT): 38.04 K
TOTAL LOAD: 65.02 K

REPLACEMENT ELASTOMERIC BEARINGS SHALL CONFORM TO ITEM 516G AND SECTION 18, BEARING DEVICES, DIVISION II, CONSTRUCTION, WITHIN THE AASHTO STANDARD SPECIFICATIONS FOR HIGHWAY BRIDGES, 17TH EDITION, 2002. BEARINGS WERE DESIGNED IN ACCORDANCE WITH AASHTO DIVISION I (METHOD A) AND SHALL BE GRADE 3, 50 DUROMETER ELASTOMER. BEARINGS SHALL BE INSTALLED AT AN AMBIENT TEMPERATURE OF 50 TO 70 DEGREES F OR, AT NO ADDITIONAL COST TO THE COMMISSION, THE CONTRACTOR SHALL REPOSITION THE NEW BEARINGS TO ALLOW THE BEARINGS TO RETURN TO THEIR UNDEFORMED SHAPE AT 60 DEGREES. PAINTING OF THE BEARING LOAD PLATE AND BEAM FLANGE AREA ADJACENT TO THE REPLACED BEARING SHALL BE IN ACCORDANCE WITH SP514A AND BE CONSIDERED INCIDENTAL TO THIS ITEM.

THE CONTRACTOR SHALL BE RESPONSIBLE FOR THE DESIGN AND INSTALLATION OF AN ADEQUATE JACKING SYSTEM AND SHALL BE RESPONSIBLE FOR ARRANGING ALL TEMPORARY JACKS AND SUPPORTS SO AS NOT TO DAMAGE OR INDUCE OVERSTRESS IN THE EXISTING BRIDGE MEMBERS, INCLUDING, BUT NOT LIMITED TO, DIAPHRAGMS. THE STRUCTURE SHALL NOT BE RAISED MORE THAN NECESSARY TO ACCOMPLISH THE WORK REQUIRED.

THE COMMISSION WILL MEASURE THE NUMBER OF BEARINGS REPLACED BY THE NUMBER EACH ACCEPTED IN PLACE AND PAID UNDER RESPECTIVE BID ITEMS.

ITEM SP 516G REPLACE EXPANSION BEARING DEVICE AS PER PLAN (NS RAILROAD STRUCTURE AT M.P. 90.7)

FIFTEEN EXPANSION BEARING DEVICES WERE PREVIOUSLY PURCHASED AND ARE CURRENTLY STORED AT THE OTIC ELMORE MAINTENANCE BUILDING AT MP 79.7 FOR USE ON THIS PROJECT. THESE BEARINGS ARE FOR THE WESTBOUND STRUCTURE. THIS ITEM OF WORK SHALL COMPLY WITH SP 516G, EXCEPT THAT THE MATERIALS ARE AVAILABLE, AND THE CONTRACTOR MUST MAKE ARRANGEMENTS WITH OTIC FOR PICKUP AND THEN DELIVER THEM TO THE WORK SITE.

ITEM SP 516H - REHABILITATION OF FIXED BEARING ASSEMBLY AS PER PLAN (STATE ROUTE 53 STRUCTURE AT M.P. 92.0)

THE WORK UNDER THIS ITEM SHALL BE IN ACCORDANCE WITH SP 516H, EXCEPT THAT THE PROCEDURE SHALL BE AS FOLLOWS:

- 1.REMOVE ANCHOR NUTS.
2.RAISE THE END OF THE BEAM BY JACKING TO ENABLE REMOVAL OF THE SHIM PLATE. BLOCK BEAM BEFORE PROCEEDING.
3.REMOVE EXISTING SHIM BETWEEN LOAD PLATE AND MASONRY PLATE.
4.CLEAN AND SANDBLAST ALL COMPONENTS IN ACCORDANCE WITH SP 514A.
5.CLEAN THE BEAM SEAT AREA AND INSTALL NECESSARY PREFORMED BEARING PAD AND/OR STEEL SHIM PLATES OF THE SAME BEARING AREA AS THE MASONRY PLATE, AS REQUIRED TO ELIMINATE ANY VERTICAL GAP BETWEEN THE BOTTOM OF THE STEEL MASONRY PLATE AND THE BEAM SEAT. IF ANCHOR BOLTS INTERFERE WITH THE PLACEMENT OF THE BEARING PADS AND/OR SHIM PLATES UNDER OR ABOVE THE MASONRY PLATE, THE CONTRACTOR SHALL PROPOSE A SYSTEM USING SHIMS SLOTTED TO FIT AROUND THE ANCHOR BOLTS TO THE ENGINEER FOR APPROVAL PRIOR TO INSTALLATION.
6.REMOVE BLOCKING AND LOWER BEAM ONTO MASONRY PLATE. TIGHTEN ANCHOR NUTS.
7.RE-CLEAN AND SANDBLAST AS REQUIRED, AND PAINT BEARING IN ACCORDANCE WITH SP 514A.

ITEM SP 516H REHABILITATION OF FIXED BEARING ASSEMBLY AS PER PLAN (NS RAILROAD STRUCTURE AT M.P. 90.7)

THE WORK UNDER THIS ITEM SHALL BE IN ACCORDANCE WITH SP 516H, EXCEPT THAT THE PROCEDURE SHALL BE AS FOLLOWS:

- 1. RAISE THE END OF THE BEAM BY JACKING TO ENABLE REMOVAL OF THE MASONRY PLATE. BLOCK BEAM BEFORE PROCEEDING.
2. REMOVE THE BENT ANCHOR ROD BY CUTTING FLUSH WITH THE BEAM SEAT.
3. REMOVE MASONRY PLATE AND PREFORMED BEARING PAD (OR LEAD SHEET).
4. CLEAN BEAM SEAT AND REPAIR IF NECESSARY.
5. INSTALL A NEW ANCHOR ROD AT THE ADJACENT CORNER OF THE MASONRY PLATE FROM THE EXISTING ROD. THIS WILL REQUIRE DRILLING A HOLE IN THE MASONRY PLATE AND INTO THE BEAM SEAT TO PROPERLY SET THE NEW ANCHOR. ANCHOR ROD TO BE THE SAME SIZE AS EXISTING, DRILLED AND INSTALLED ACCORDING TO SECTION 510 OF THE SPECIFICATIONS USING A NONSHRINK, NONMETALLIC GROUT CONFORMING TO 705.20. INSTALL AN ADDITIONAL ANCHOR ROD IN THE OPPOSITE DIAGONAL CORNER FROM THE FIRST. THESE SHALL BE 2 INCHES FROM EDGES OF PLATE TO CENTER OF ROD.
6. CLEAN AND SANDBLAST ALL COMPONENTS IN ACCORDANCE WITH SP 514A.
7. INSTALL NEW PREFORMED BEARING PAD CONFORMING TO 711.21.
8. REMOVE BLOCKING AND LOWER BEAM ONTO MASONRY PLATE.
9. PAINT BEARING IN ACCORDANCE WITH SP 514A.

ITEM SP 519 PATCHING CONCRETE STRUCTURES

THIS WORK SHALL BE IN ACCORDANCE WITH SP519 AND SHALL INCLUDE INSPECTION AND PATCHING OF SUPERSTRUCTURE PARAPETS WHICH ARE NOT REPAIRED UNDER SEPARATE ITEMS AND SUBSTRUCTURE CONCRETE SURFACES. APPROXIMATE LIMITS OF SUBSTRUCTURE REPAIR HAVE BEEN IDENTIFIED ON THE DRAWINGS. SUPERSTRUCTURE REPAIR SHALL BE AS DIRECTED BY THE ENGINEER.

ITEM SP 536 CONCRETE WEATHERPROOFING

UNLESS NOTED OTHERWISE, ITEM SP 536-CONCRETE WEATHERPROOFING, NON-EPOXY, SHALL BE APPLIED TO THE FOLLOWING EXPOSED CONCRETE SURFACES OF THE BRIDGES:

- FASCIA PARAPET SURFACES AND SLAB SIDE EDGES
-THE BOTTOM SURFACE OF THE SUPERSTRUCTURE SLAB FROM THE SLAB SIDE EDGE TO THE EXTERIOR STRINGER FLANGE.
-MEDIAN BARRIERS ON THE SUPERSTRUCTURE DECK SLABS
-APPROACH SLABS AND MEDIAN BARRIERS ON THE APPROACH SLABS.
-ABUTMENT SLABS, MEDIAN BARRIERS, AND FASCIA PARAPETS ON THE ABUTMENT SLABS.
-TOP OF ABUTMENT SLABS AND SUPERSTRUCTURE DECK SLABS.

ITEM 601 - CRUSHED AGGREGATE SLOPE PROTECTION AS PER PLAN

THIS ITEM SHALL CONSIST OF FURNISHING THE NECESSARY LABOR, MATERIALS AND EQUIPMENT TO CONSTRUCT CRUSHED AGGREGATE SLOPE PROTECTION AT THE ABUTMENT SLOPES OF THE NS RAILROAD BRIDGE AT MP 90.7. THIS WORK SHALL BE PERFORMED AFTER ALL OTHER ABUTMENT AND VOID REPAIRS HAVE BEEN COMPLETED. THIS ITEM IS INTENDED TO DRESS THE SLOPE AND PROVIDE ADDITIONAL PROTECTION ALONG THE ABUTMENT WALL, AS INDICATED ON THE PLANS AND AS DIRECTED BY THE ENGINEER. THE THICKNESS OF THE MATERIAL MAY VARY AS REQUIRED. FILTER FABRIC AS SPECIFIED IN 601.06 IS REQUIRED ONLY IF THE NEW SLOPE PROTECTION IS PLACED ON BARE EARTH. ALL WORK SHALL CONFORM TO 601.

THE COMMISSION WILL MEASURE CRUSHED AGGREGATE BY THE NUMBER CUBIC YARDS ACCEPTED IN PLACE.

ITEM SPECIAL - PATCHING CONCRETE BRIDGE DECKS, TYPE B

THIS ITEM SHALL CONSIST OF FURNISHING THE NECESSARY LABOR, MATERIALS AND EQUIPMENT TO REPAIR THE WEARING SURFACE OF CONCRETE BRIDGE DECKS AND ABUTMENT SLABS, INCLUDING THE REMOVAL OF ALL LOOSE AND UNSOUND CONCRETE, BITUMINOUS PATCHES, SURFACE PREPARATION, BONDING COAT AND THE MIXING, PLACING, FINISHING AND CURING OF THE MORTAR OR CONCRETE PATCHES.

MATERIALS SHALL CONFORM TO THE FOLLOWING REQUIREMENTS:

QUICK SETTING CONCRETE MORTAR, TYPE 1 OR 2 SHALL COMPLY WITH 705.21. CURING MATERIALS - TYPE B PATCHES SHALL COMPLY WITH 705.07. MATERIALS SHALL BE LISTED ON THE CURRENT ODOT QUALIFIED PRODUCTS LIST. REMOVAL OF UNSOUND CONCRETE:

THE CONTRACTOR SHALL PROVIDE ALL NECESSARY MATERIAL, EQUIPMENT, LABOR AND INCIDENTALS TO PERMIT SOUNDING INSPECTION OF THE DECK AND ABUTMENT SLAB WEARING SURFACES. THE CONTRACTOR'S SUPERINTENDENT SHALL ACCOMPANY THE CHIEF ENGINEER IN MAKING AN EXAMINATION TO MARK THE AREAS OF REPAIRS TO BE MADE. SOUNDING MAY HAVE TO BE DELAYED UNTIL THE DECK IS SUFFICIENTLY DRY TO PERMIT DETECTION OF ALL AREAS OF POTENTIAL DELAMINATION. THE PERIMETER OF ALL REMOVAL AREAS SHALL BE SAW CUT TO A DEPTH OF 1 INCH TO PRODUCE A VERTICAL OR SLIGHTLY UNDERCUT FACE. ADDITIONAL SAW CUTS MAY BE REQUIRED TO FACILITATE REMOVAL. ALL UNSOUND CONCRETE INCLUDING ALL PATCHES OTHER THAN SOUND PORTLAND CEMENT CONCRETE, AND ALL LOOSE AND DISINTEGRATED CONCRETE SHALL BE REMOVED. THE UNSOUND CONCRETE MAY BE REMOVED BY CHIPPING OR HAND DRESSING. CHIPPING HAMMERS SHALL NOT BE HEAVIER THAN THE NOMINAL 35 POUND CLASS AND SHALL BE OPERATED AT AN ANGLE OF LESS THAN 45 DEGREES MEASURED FROM THE SURFACE OF THE DECK. CONCRETE SHALL BE REMOVED IN A MANNER THAT PREVENTS CUTTING, ELONGATING OR DAMAGING REINFORCING STEEL.

WHERE THE BOND BETWEEN THE CONCRETE AND A PRIMARY REINFORCING BAR HAS BEEN DESTROYED, OR WHERE MORE THAN ONE HALF OF THE PERIPHERY OF SUCH A BAR HAS BEEN EXPOSED, THE ADJACENT CONCRETE SHALL BE REMOVED TO A DEPTH THAT WILL PROVIDE A MINIMUM 3/4 INCH CLEARANCE AROUND THE BAR EXCEPT WHERE OTHER REINFORCING BARS MAKE THIS IMPRACTICABLE. REINFORCEMENT WHICH HAS BECOME LOOSE SHALL BE ADEQUATELY SUPPORTED AND TIED BACK INTO PLACE. AFTER COMPLETION OF THE SECONDARY REMOVAL OPERATIONS, RE-SOUND THE DECK TO ENSURE THAT ONLY SOUND CONCRETE REMAINS. MINIMIZE CONSTRUCTION JOINTS. CONSTRUCTION JOINTS SHALL ONLY BE PLACED ON THE PERIMETER OF THE REMOVAL AREAS.

SURFACE PREPARATION:

CLEANING SHALL CLOSELY PRECEDE APPLICATION OF THE BONDING GROUT AND/OR THE PATCHING MATERIAL. THE SURFACE TO BE PATCHED AND THE EXPOSED REINFORCING STEEL SHALL BE THOROUGHLY CLEANED BY SANDBLASTING FOLLOWED BY AN AIR BLAST. IT MAY BE NECESSARY TO USE HAND TOOLS TO REMOVE SCALE FROM THE REINFORCING STEEL. FOR TYPE B PATCHES, THE PREPARED SURFACE SHALL BE SURFACE DRY. ANY ADDITIONAL SURFACE PREPARATION SHALL BE IN ACCORDANCE WITH THE MANUFACTURER'S RECOMMENDATIONS FOR THE PATCHING MATERIAL WHICH IS USED.

BONDING GROUT:

TYPE B PATCHES SHALL BE BONDED ACCORDING TO THE MANUFACTURER'S RECOMMENDATIONS.

PATCHING:

TYPE B PATCHING MATERIAL SHALL BE MADE USING QUICK SETTING CONCRETE MORTAR, TYPE 1 OR 2, 705.21. THE MORTAR SHALL BE MIXED AND PLACED AS PER MANUFACTURER'S RECOMMENDATIONS. COARSE AGGREGATE MAY BE ADDED IN ACCORDANCE WITH THE MANUFACTURER'S INSTRUCTIONS WHEN THE DEPTH OF THE PATCH EXCEEDS 1 INCH.

CURING:

TYPE B PATCHES SHALL BE CURED IN ACCORDANCE WITH THE MANUFACTURER'S RECOMMENDATIONS.

METHOD OF MEASUREMENT:

THE COMMISSION WILL MEASURE THE COMPLETED REPAIR BY THE AREA IN SQUARE YARDS ACCEPTED IN PLACE, IRRESPECTIVE OF DEPTH. A CONTINGENCY QUANTITY OF 5 SQUARE YARDS PER BRIDGE HAS BEEN INCLUDED IN THE PLANS FOR USE AS DIRECTED BY THE ENGINEER.

ITEM SPECIAL - REPOSITION ELASTOMERIC EXPANSION BEARING INCLUDING MASONRY PLATE

THIS WORK SHALL INCLUDE REPOSITIONING OVEREXPANDED ELASTOMERIC BEARINGS ON THE S.R. 19 STRUCTURE AT MP 90.3 WHERE DESIGNATED IN THE PLANS OR DIRECTED BY THE ENGINEER. IN ADDITION TO THE UPPER LOAD PLATE, THESE ELASTOMERIC BEARINGS ALSO INCLUDE A MASONRY PLATE VULCANIZED TO THE BEARING AND ANCHORED TO THE ABUTMENT SEAT. THIS WORK SHALL BE PERFORMED WHEN THE AMBIENT TEMPRATURE IS BETWEEN 50 AND 70 DEGREES F. REMOVE EXISTING FILLET WELDS WHICH ATTACHES THE UPPER LOAD PLATE TO THE BEAM FLANGE AND GRIND SMOOTH THOSE PLATE AND FLANGE SURFACES WHERE WELDS WERE REMOVED. SLIGHTLY LIFT THE BEAM TO REMOVE LOAD FROM THE BEARING AND ALLOW THE BEARINGS TO RETURN TO ITS UNDEFORMED SHAPE. RETURN THE LOAD TO THE BEARING AND REWELD THE UPPER LOAD PLATE TO THE BEAM FLANGE WITH 5/16" MINIMUM FILLET WELDS.

Drawing File: c:\p01315\structures\SAN060\_090203\Sheet060\_0902030001.dwg
Date: Oct 11, 2016 Time: 11:08 am
Plot: 11/27/2016
Layout: Title Sheet
Technician: stony

Table with 4 columns: NO., REVISIONS, BY, DATE. Includes Ohio Turnpike and Infrastructure Commission logo, GPD Group logo, and project details: PROJECT NO. 39-17-01 SHEET 247 OF 272.

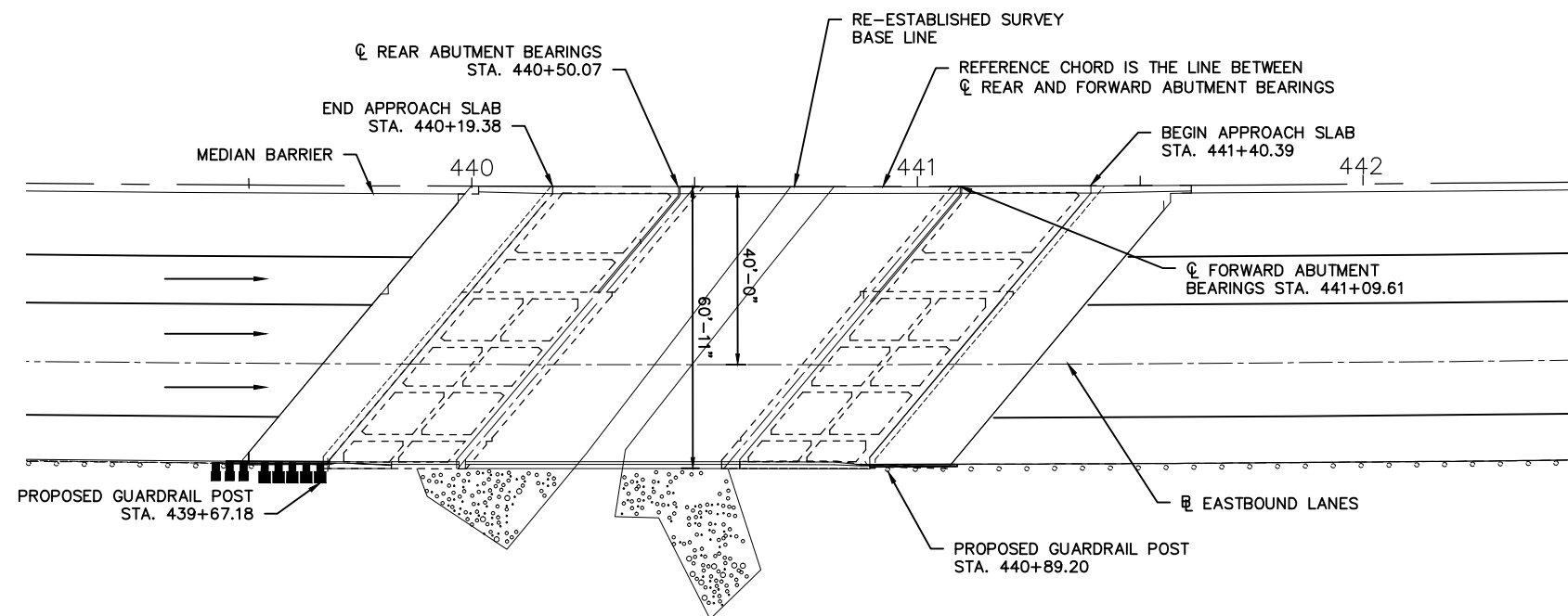
STRUCTURE ESTIMATED QUANTITIES											
ITEM	LITTLE MUDDY CREEK MP 90.2	S.R. 19 MP 90.3	NS RR MP 90.7	S.R. 53 MP 92.0	BARK CREEK MP 94.2	U.S. R6 MP 95.4	GENERAL	TOTAL	UNIT	DESCRIPTION	AS PER PLAN SHEET
SP 202	LUMP	LUMP	LUMP	LUMP	LUMP	LUMP		LUMP	LUMP	PORTIONS OF STRUCTURE REMOVED	
SP 516A			326					326	LIN. FT.	CRACK REPAIR USING EPOXY INJECTION	
SP 516B	694	645	1759	864	657	790		5409	LIN. FT.	SEALING OF CONSTRUCTION JOINTS	
SP 516G		18	20		9	12		60	EACH	REPLACE EXPANSION BEARING DEVICE	
SP 516G			15					15	EACH	REPLACE EXPANSION BEARING DEVICE, AS PER PLAN	247
SP 516H						9		9	EACH	REHABILITATION OF FIXED BEARING ASSEMBLY	
SP 516H			1	1				2	EACH	REHABILITATION OF FIXED BEARING ASSEMBLY, AS PER PLAN	247
SP 516K				15				16	EACH	REBUILD EXPANSION BEARING DEVICE	
SP 516M			10	2		5		17	EACH	RESET EXISTING ROCKER BEARING	
SP 519	100	50	202	50	150	50	243*	845	SQ. FT.	PATCHING CONCRETE STRUCTURES	
SP 527	LUMP	LUMP	LUMP	LUMP	LUMP	LUMP		LUMP	LUMP	FALSEWORK, TEMPORARY BRACING AND PROTECTIVE STRUCTURES	
SP 529			35	15				50	EACH	TRIM END OF STRUCTURAL STEEL MEMBER	
SP 533D	164	135	688	252	128	152		1519	FOOT	CONTINUOUS ELASTOMER SEAL IN PORTLAND CEMENT CONCRETE JOINT	
SP 536	181	179	338	224	197	242		1361	SQ. YD.	CONCRETE WEATHERPROOFING, BARRIERS AND PARAPETS	
SP 536	1066	1026	1787	1265	1068	1293		7505	SQ. YD.	CONCRETE WEATHERPROOFING, DECK, ABUTMENT SLABS AND APPROACH SLABS	
601			240					240	SQ. YD.	CRUSHED AGGREGATE SLOPE PROTECTION, AS PER PLAN	247
SPECIAL	5	5	10	5	5	5		35	SQ. YD.	PATCHING CONCRETE BRIDGE DECKS, TYPE B	247
SPECIAL					9			9	EACH	REPOSITION ELASTOMERIC EXPANSION BEARING	248
SPECIAL		6						6	EACH	REPOSITION ELASTOMERIC EXPANSION BEARING INCLUDING MASONRY PLATE	247
SPECIAL						12		12	EACH	PEDESTAL REPLACEMENT	248
SPECIAL			14					14	CJ. YD.	VOID REPAIR UNDER ABUTMENT USING LOW STRENGTH MORTAR	248
SPECIAL			1					1	EACH	ABUTMENT BEARING PILE REPAIR	248

\* QUANTITY IS FOR BRIDGE PIER COLUMN REPAIRS AT MP 91.6, MP 93.0, AND MP 94.7, SEE SHEET 250 OF 272 FOR ADDITIONAL INFORMATION.

NOTES:  
1. FOR GENERAL NOTES, SEE SHEETS 247 & 248 .

Drawing File: c:\2013\20131115\structures\SAN096\_59020\Sheets\080\_09020CE0001.dwg Layout: Model  
DATE: Oct 11, 2016 Time: 12:02 pm User: 157079653  
Technician: stony

1	ADDENDUM NO. 1	SAT	10/11/16
NO.	REVISIONS	BY	DATE
<b>OHIO TURNPIKE AND INFRASTRUCTURE COMMISSION</b>			
ESTIMATED QUANTITIES			
M.P. 90.2, 90.3, 90.7, 92.0, 94.2, 95.4 SANDUSKY COUNTY			
<b>GPD GROUP</b> Glass, Pyle, Schuman, Burns & DeHaven, Inc. 330-572-2100 520 South Main Street, Suite 2531, Akron, Ohio 44311 Fax 330-572-2101			
DESIGNED:	EAF	CHECKED:	TJW DATE: 08/26/16
DRAWN:	SAT	IN CHARGE:	MRG SCALE: N.T.S.
PROJECT NO. 39-17-01 SHEET 249 OF 272			

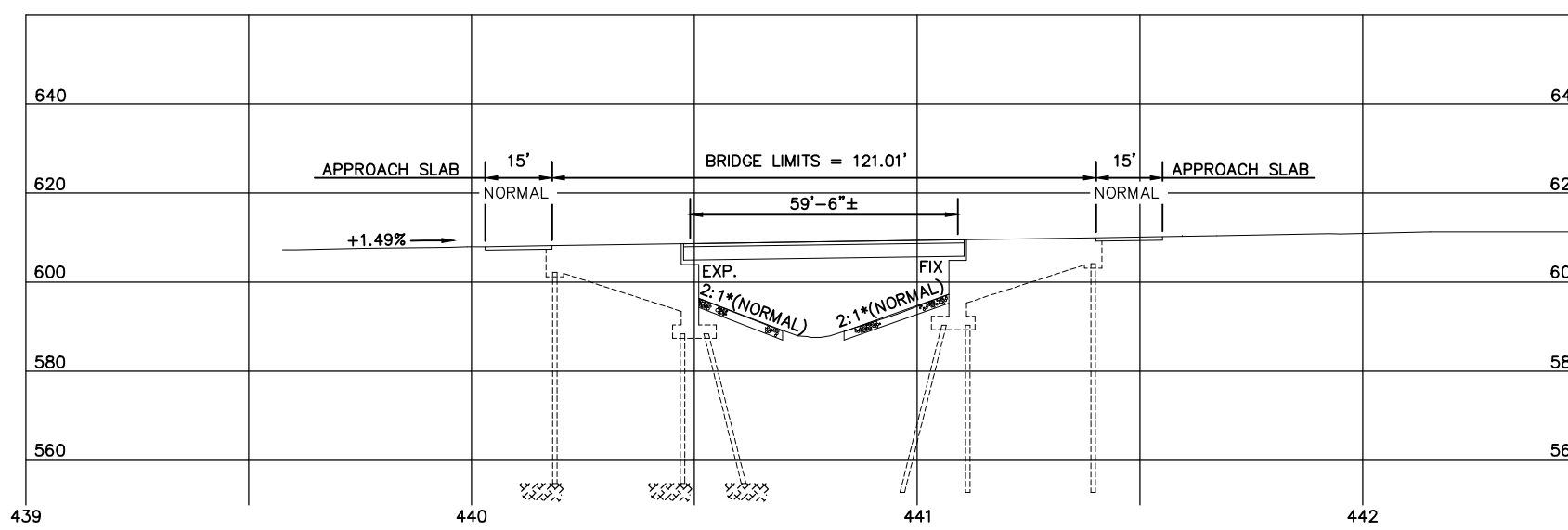


EXISTING STRUCTURE	
TYPE:	SIMPLE SPAN COMPOSITE STEEL BEAMS WITH REINFORCED CONCRETE DECK AND SUBSTRUCTURE.
SPANS:	59'-6" $\pm$ C/C BEARINGS ALONG REF. LINE
ROADWAY:	59'-10" $\pm$ TOE TO TOE OF DEFLECTOR PARAPETS
SKREW:	40°02'06" $\pm$ LEFT FORWARD FROM NORMAL TO REFERENCE CHORD
WEARING SURFACE:	MONOLITHIC CONCRETE
APPROACH SLABS:	15'-0" $\pm$ NORMAL TO ABUTMENT
ALIGNMENT:	00°20'00" CURVE LEFT
BUILT:	1954, MODIFIED 1985 WIDENED/NEW DECK THIRD LANE ADDED 1998
SFN:	7228902
OTIC MILEPOST:	90.20
COORDINATES:	LATITUDE: 41°24'50" N, LONGITUDE: 83°08'19" W



SCOPE OF WORK EASTBOUND LANES:

1. REMOVE AND REPLACE EXISTING EXPANSION JOINTS AT ABUTMENTS IN ACCORDANCE WITH SP 533D AND OTIC STANDARD DRAWING DJ-7.
2. AS DIRECTED BY THE ENGINEER, PATCH THE CONCRETE WEARING SURFACE OF THE ABUTMENT SLABS AND SUPERSTRUCTURE DECK SLAB, IN ACCORDANCE WITH ITEM SPECIAL - PATCHING CONCRETE BRIDGE DECKS, TYPE B. THIS INCLUDES REPAIR OF ANY ISOLATED POTHoles, SCALING OF THE WEARING SURFACE, ETC.
3. PATCH CONCRETE SURFACES OF THE FASCIA AND MEDIAN PARAPETS AS DIRECTED BY THE ENGINEER IN ACCORDANCE WITH SP 519.
4. SEAL CONSTRUCTION JOINTS USING HIGH MOLECULAR WEIGHT METHACRYLATE SEALER PER SP 516B.
5. WEATHERPROOF PARAPET AND DECK EDGE SURFACES WITHIN THE LIMITS SHOWN ON THE PLANS PER SP 536.
6. WEATHERPROOF ENTIRE WEARING SURFACE OF THE APPROACH SLABS, ABUTMENT SLABS AND SUPERSTRUCTURE DECK SLAB PER SP 536.
7. REPLACE R-100 ROCKER AT REAR ABUTMENT BEAM NUMBER 13.
8. REMOVE AND REPLACE THE APPROACH SLABS (SEE ROADWAY PLANS).
9. FOR DETAILS OF EXISTING BRIDGE, SEE ORIGINAL CONSTRUCTION PLANS AT THE OFFICE OF THE OHIO TURNPIKE AND INFRASTRUCTURE COMMISSION.



STRUCTURE ESTIMATED QUANTITIES - LITTLE MUDDY CREEK MP 90.2									
ITEM	TOTAL	UNIT	DESCRIPTION	ABUTMENTS	PIERS	SUPER-STRUCTURE	GENERAL	CONTINGENCY	AS PER PLAN SHEET
SP 202	LUMP	LUMP	PORTIONS OF STRUCTURE REMOVED				LUMP		
SP 516B	694	LIN. FT.	SEALING OF CONSTRUCTION JOINTS	179		347	118	50	
SP 516C		EACH	REPLACE EXPANSION BEARING DEVICE	1					
SP 519	50	SQ. FT.	PATCHING CONCRETE STRUCTURES					50	
SP 527	LUMP	LUMP	FALSEWORK, TEMPORARY BRACING AND PROTECTIVE STRUCTURES				LUMP		
SP 533D	164	FOOT	CONTINUOUS ELASTOMER SEAL IN PORTLAND CEMENT CONCRETE JOINT			164			
SP 536	181	SQ. YD.	CONCRETE WEATHERPROOFING, BARRIERS AND PARAPETS	75		88	18		
SP 536	1066	SQ. YD.	CONCRETE WEATHERPROOFING, DECK, ABUTMENT SLABS AND APPROACH SLABS	383		422	261		
SPECIAL	5	SQ. YD.	PATCHING CONCRETE BRIDGE DECKS, TYPE B					5	

1	ADDENDUM NO. 1	SAT	10/11/16
NO.	REVISIONS	BY	DATE

**OHIO TURNPIKE AND INFRASTRUCTURE COMMISSION**

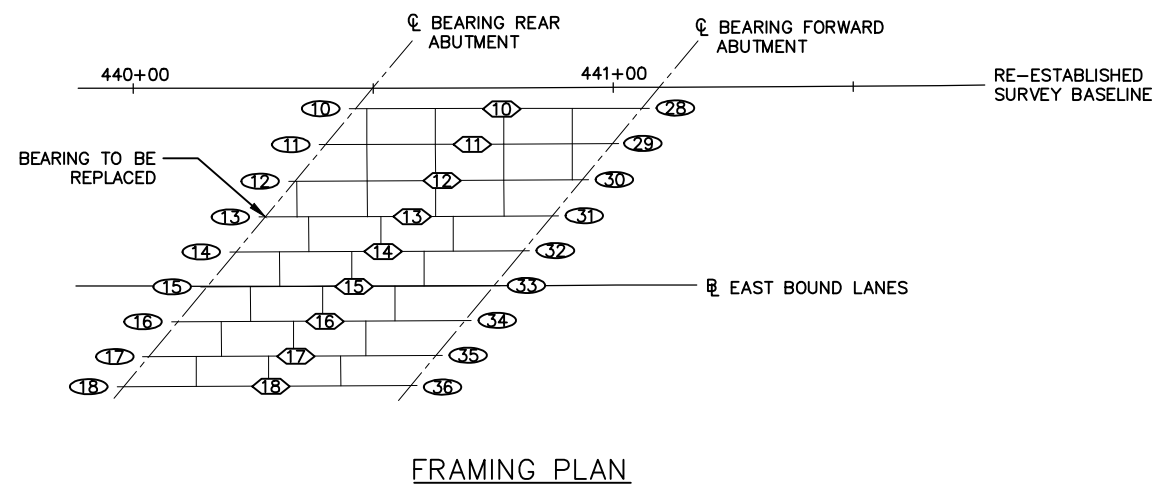
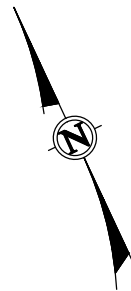
GENERAL PLAN AND PROFILE  
OHIO TURNPIKE OVER LITTLE MUDDY CREEK  
M.P. 90.2 SANDUSKY COUNTY

**GPD GROUP**  
Glenn Pyle Schuman, Business Development, Inc. 330-572-2100  
520 South Main Street, Suite 2531, Akron, Ohio 44311 Fax 330-572-2101

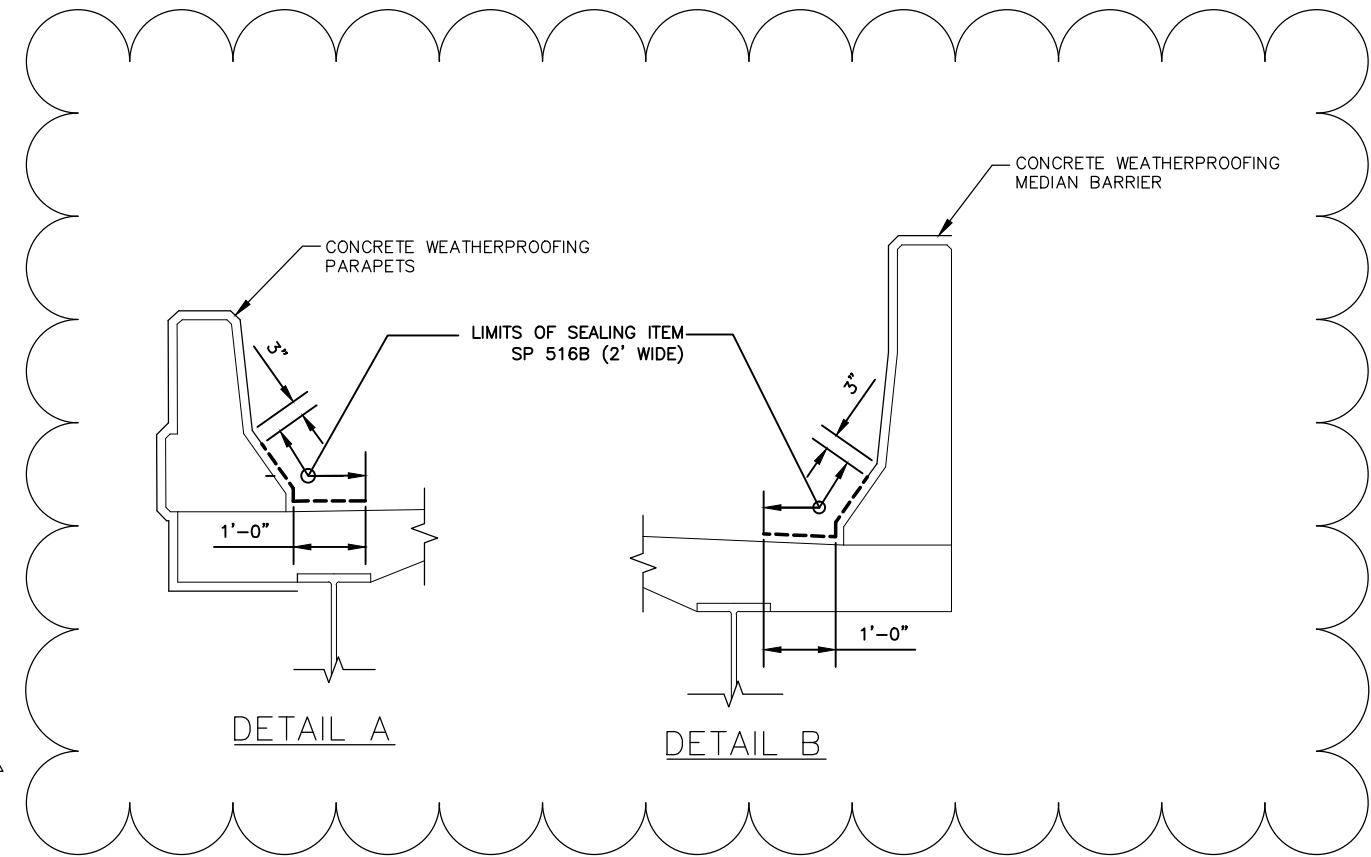
DESIGNED: EAF	CHECKED: TJW	DATE: 08/26/16
DRAWN: SAT	IN CHARGE: MRG	SCALE: N.T.S.

PROJECT NO. 39-17-01 SHEET 251 OF 272

Drawing File: c:\2013\20131115\structures\SAN060\_090201\Sheets\080\_09020200P001.dwg Layout: Title Sheet  
 DATE: Oct 11, 2016 Time: 12:05 pm User: 157079653  
 Technician: stony



FRAMING PLAN



DETAIL A

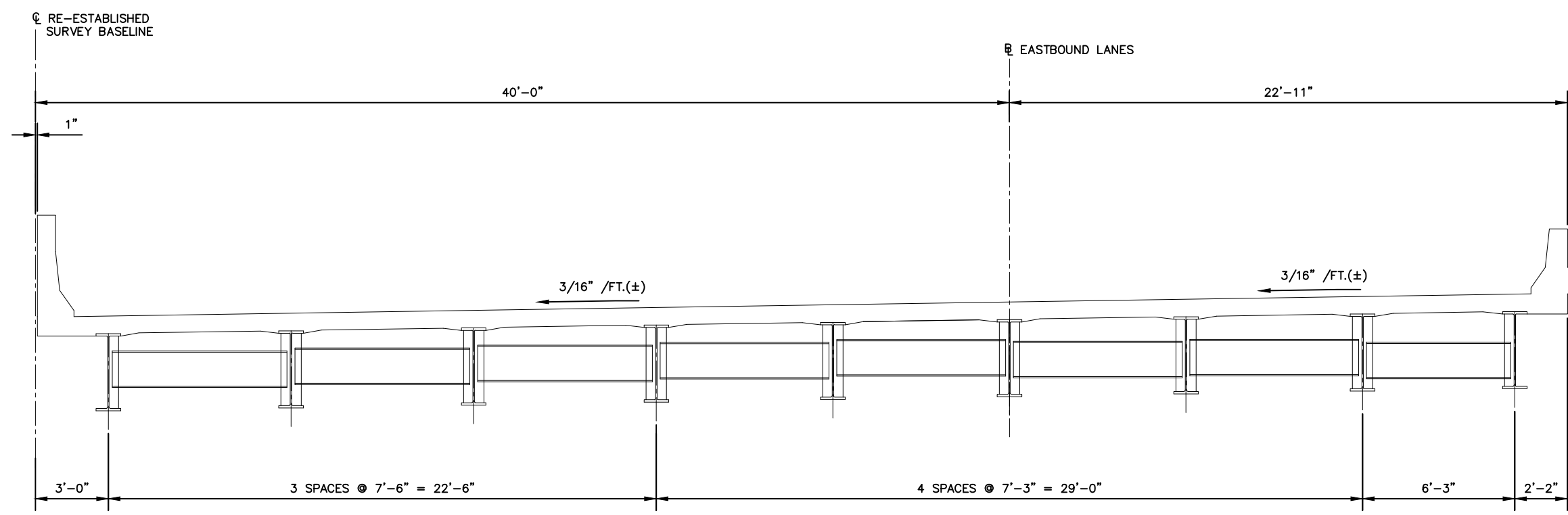
DETAIL B

LEGEND:

- ◻ = BEAM NUMBER
- = BEARING REFERENCE NUMBER

NOTES:

1. BEARING NO. 13 SHALL BE REPLACED PER SP 516G. THIS IS A MODIFIED ODOT R-100 BEARING. PER ODOT STANDARD DRAWING RB-1-55, REVISED 7/19/2013, EXCEPT THAT THE TOP PLATE THICKNESS IS 3/8" AND HEIGHT IS 1 1/4". CONTRACTOR SHALL VERIFY THESE DIMENSIONS PRIOR TO FABRICATION OF THE NEW BEARING. NEW BEARING TO BE POSITIONED PER THE EXISTING.
2. FOR EXPANSION JOINT DETAILS, SEE SHEET 272 OF 272 .
3. SEE DETAIL A AND B FOR LIMITS OF WEATHERPROOFING OF MEDIAN AND FASCIA PARAPETS.



TRANSVERSE SECTION EASTBOUND

Drawing File: c:\2013\20131115\structures\SAN080\_080201\Sheets\080\_080202\SD001.dwg Layout: Title Sheet  
 DATE: Oct 11, 2016 Time: 12:15 pm User: 15727953  
 Technician: stony

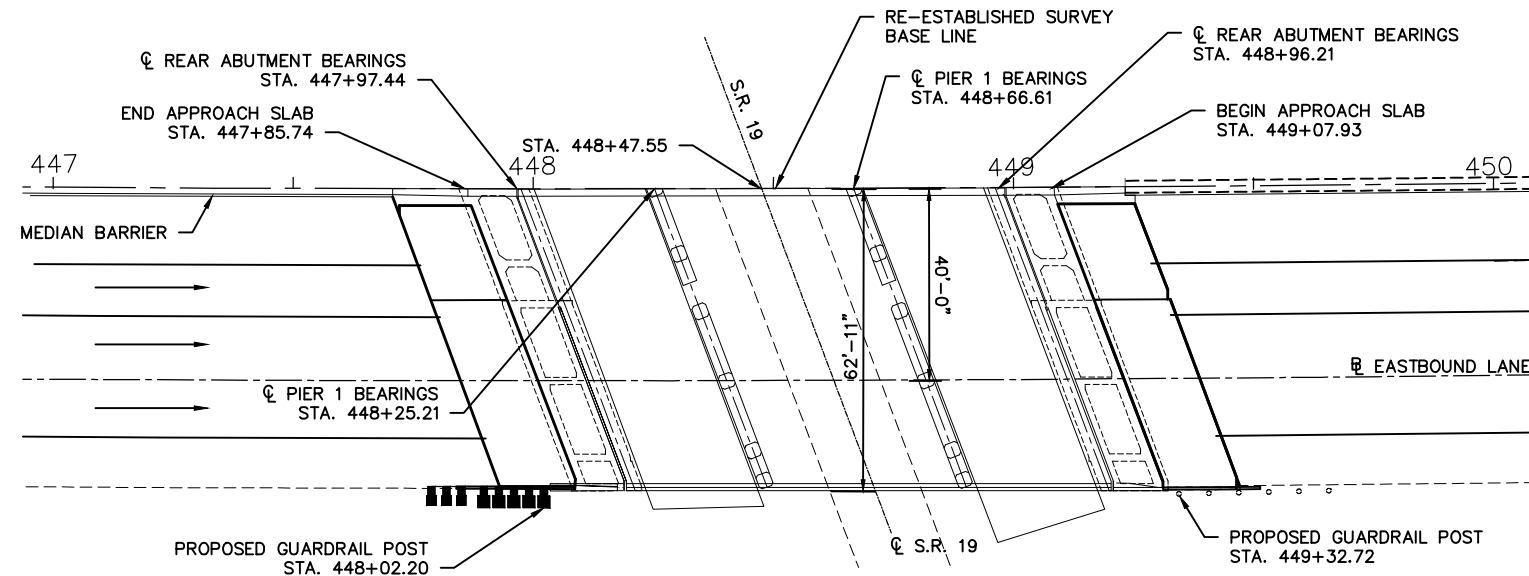
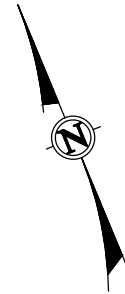
1	ADDENDUM NO. 1	SAT	10/11/16
NO.	REVISIONS	BY	DATE

**OHIO TURNPIKE AND INFRASTRUCTURE COMMISSION**  
 SUPERSTRUCTURE REPAIR DETAILS  
 OHIO TURNPIKE OVER LITTLE MUDDY CREEK  
 M.P. 90.2 SANDUSKY COUNTY

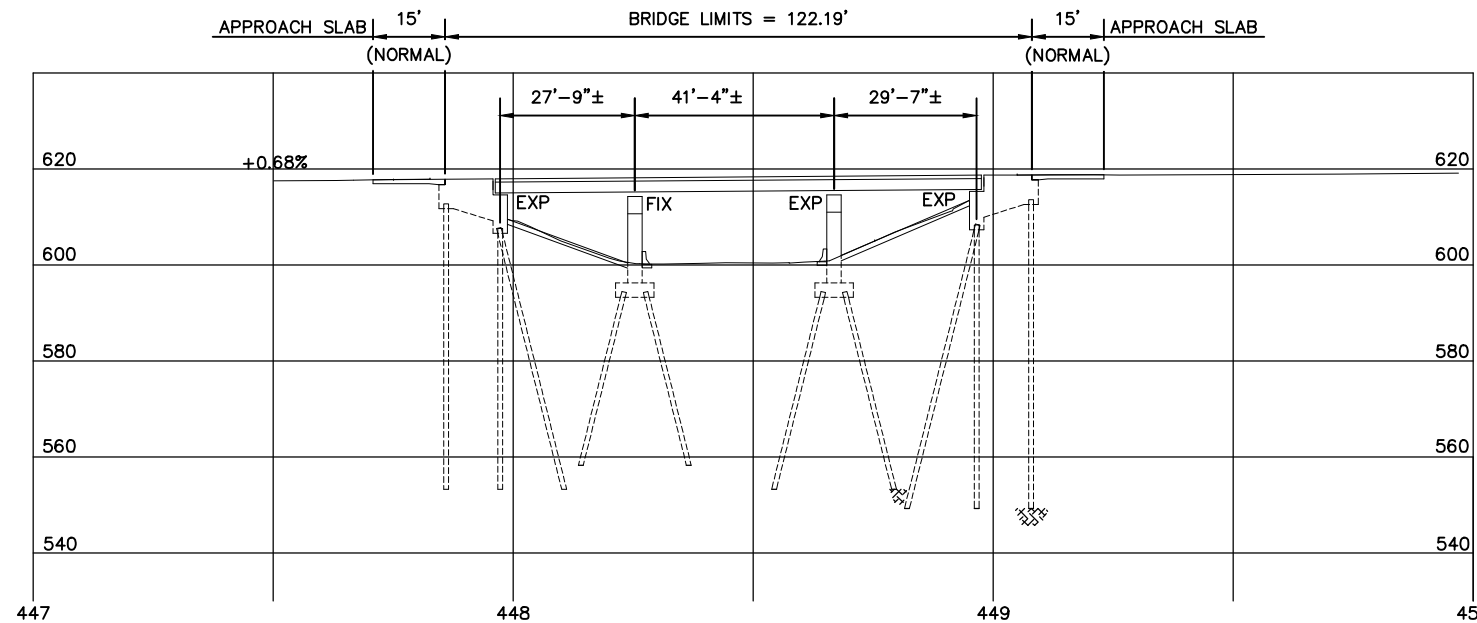
**GPD GROUP**  
Geotechnical, Structural, Surveying, Inc.  
 520 South Main Street, Suite 2531, Akron, Ohio 44311 Fax 330-572-2100

DESIGNED: EAF	CHECKED: TJW	DATE: 08/26/16
DRAWN: SAT	IN CHARGE: MRG	SCALE: N.T.S.

PROJECT NO. 39-17-01 SHEET 252 OF 272



GENERAL PLAN



PROFILE ALONG EASTBOUND LANES

EXISTING STRUCTURE	
TYPE:	3 CONTINUOUS SPAN STEEL BEAMS WITH REINFORCED CONCRETE DECK AND SUBSTRUCTURES
SPANS:	27'-9"±, 41'-4"±, 29'-7"± C/C BEARINGS ALONG CL TURNPIKE
ROADWAY:	59'-10"± TOE/TOE OF DEFLECTOR PARAPETS
SKEW:	20'23'32"± RIGHT FORWARD FROM NORMAL TO REFERENCE CHORD
WEARING SURFACE:	MONOLITHIC CONCRETE
APPROACH SLABS:	15'-0" NORMAL TO ABUTMENT
ALIGNMENT:	0'20'00" CURVE LEFT
BUILT:	1954, MODIFIED 1985 WIDENED/NEW DECK, THIRD LANE ADDED 1998
SFN:	7229937
OTIC MILEPOST:	90.3
COORDINATES:	LATITUDE: 41'24'28" N, LONGITUDE: 83'08'10" W

SCOPE OF WORK EASTBOUND LANES:

1. REMOVE AND REPLACE EXISTING EXPANSION JOINTS AT ABUTMENTS IN ACCORDANCE WITH SP 533D AND OTIC STANDARD DRAWING DJ-7.
2. AS DIRECTED BY THE ENGINEER, PATCH THE CONCRETE WEARING SURFACE OF THE ABUTMENT SLABS AND SUPERSTRUCTURE DECK SLAB, IN ACCORDANCE WITH ITEM SPECIAL - PATCHING CONCRETE BRIDGE DECKS, TYPE B. THIS INCLUDES REPAIR OF ANY ISOLATED POTHoles, SCALING OF THE WEARING SURFACE, ETC.
3. PATCH CONCRETE SURFACES OF THE FASCIA AND MEDIAN PARAPETS AS DIRECTED BY THE ENGINEER IN ACCORDANCE WITH SP 519.
4. SEAL CONSTRUCTION JOINTS USING HIGH MOLECULAR WEIGHT METHACRYLATE SEALER PER SP 516B.
5. WEATHERPROOF PARAPET AND DECK EDGE SURFACES WITHIN THE LIMITS SHOWN ON THE PLANS PER SP 536.
6. WEATHERPROOF ENTIRE WEARING SURFACE OF THE APPROACH SLABS, ABUTMENT SLABS AND SUPERSTRUCTURE DECK SLAB PER SP 536.
7. REPOSITION DESIGNATED OVER-EXPANDED ELASTOMERIC BEARINGS AT ABUTMENTS THAT INCLUDE LOWER MASONRY PLATES IN ACCORDANCE WITH ITEM SPECIAL - REPOSITION ELASTOMERIC EXPANSION BEARING INCLUDING MASONRY PLATE. REPLACE THESE BEARINGS AS DIRECTED BY THE ENGINEER IF THE ELASTOMER DOES NOT REPOSITION PROPERLY.
8. REPLACE DESIGNATED ELASTOMERIC BEARINGS AT ABUTMENTS THAT INCLUDE ANCHOR BOLTS PASSING THROUGH THE BEARING UPPER LOAD PLATE IN ACCORDANCE WITH SP 516G.
9. REMOVE AND REPLACE THE APPROACH SLABS (SEE ROADWAY PLANS).
10. FOR DETAILS OF EXISTING BRIDGE, SEE ORIGINAL CONSTRUCTION PLANS AT THE OFFICE OF THE OHIO TURNPIKE AND INFRASTRUCTURE COMMISSION.

STRUCTURE ESTIMATED QUANTITIES - S.R. 19 MP 90.3

ITEM	TOTAL	UNIT	DESCRIPTION	ABUTMENTS	PIERS	SUPER-STRUCTURE	GENERAL	CONTINGENCY	AS PER PLAN SHEET
SP 202	LUMP	LUMP	PORTIONS OF STRUCTURE REMOVED				LUMP		
SP 516B	645	LIN. FT.	SEALING OF CONSTRUCTION JOINTS	62		437	96	50	
SP 516G	18	EACH	REPLACE EXPANSION BEARING DEVICE	12				6	
SP 519	50	SQ. FT.	PATCHING CONCRETE STRUCTURES					50	
SP 527	LUMP	LUMP	FALSEWORK, TEMPORARY BRACING AND PROTECTIVE STRUCTURES				LUMP		
SP 533D	135	FOOT	CONTINUOUS ELASTOMER SEAL IN A PORTLAND CEMENT CONCRETE JOINT			135			
SP 536	179	SQ. YD.	CONCRETE WEATHERPROOFING, BARRIERS AND PARAPETS	27		133	19		
SP 536	1026	SQ. YD.	CONCRETE WEATHER PROOFING, DECK, ABUTMENT SLABS AND APPROACH SLABS	135		678	213		
SPECIAL	5	SQ. YD.	PATCHING CONCRETE BRIDGE DECKS, TYPE B					5	247
SPECIAL	6	EACH	REPOSITION ELASTOMERIC EXPANSION BEARING INCLUDING MASONRY PLATE	6					248

1	ADDENDUM NO. 1	SAT	10/11/16
NO.	REVISIONS	BY	DATE

**OHIO TURNPIKE AND INFRASTRUCTURE COMMISSION**

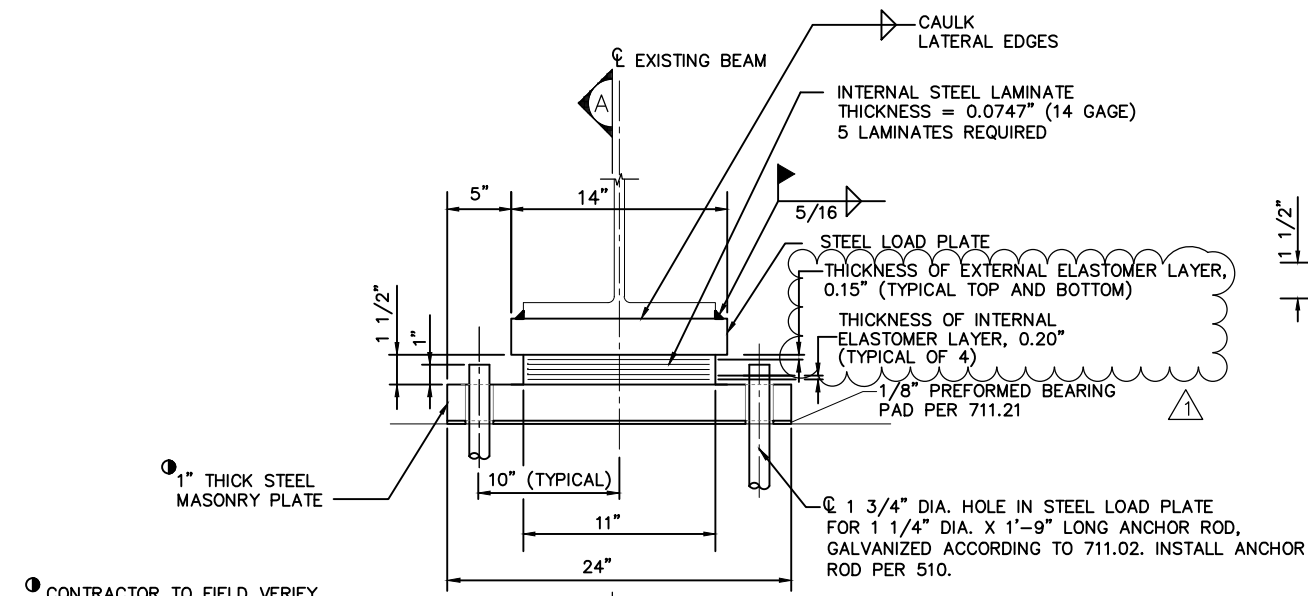
GENERAL PLAN AND PROFILE  
OHIO TURNPIKE OVER STATE ROUTE 19  
M.P. 90.3  
SANDUSKY COUNTY

**GPD GROUP**  
Civil, P/E, S, E, M, D, I, E, S, Inc.  
520 South Main Street, Suite 2531, Akron, Ohio 44311 Fax 330-572-2100

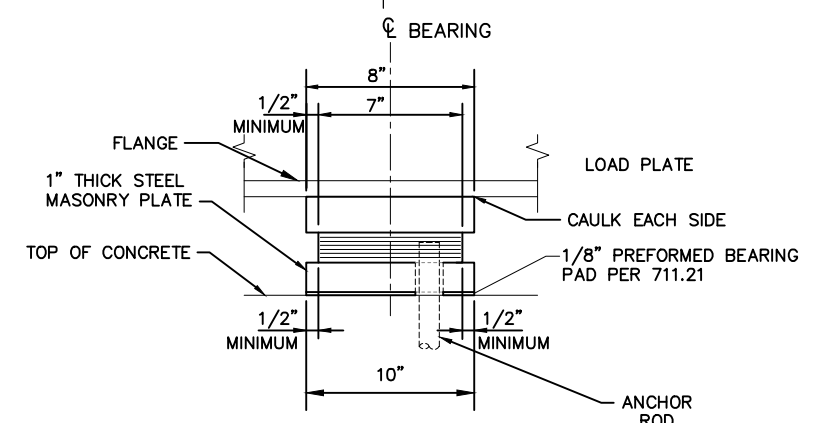
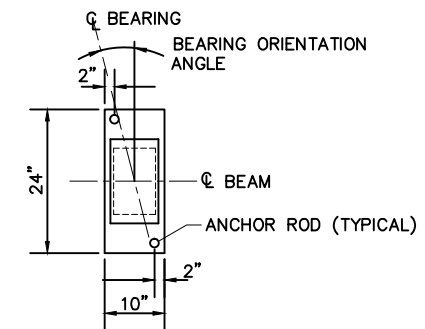
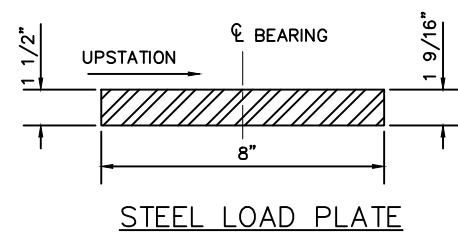
DESIGNED:	EAF	CHECKED:	TJW	DATE:	08/26/16
DRAWN:	SAT	IN CHARGE:	MRG	SCALE:	N.T.S.

PROJECT NO. 39-17-01 SHEET 253 OF 272

BEARING LOCATION	DEAD LOAD	LIVE LOAD	TOTAL LOAD
REAR ABUTMENT	13 KIPS	35 KIPS	48 KIPS
FORWARD ABUTMENT	14 KIPS	36 KIPS	50 KIPS



CONTRACTOR TO FIELD VERIFY EXISTING BEARING HEIGHT AT EACH LOCATION AND ADJUST MASONRY PLATE THICKNESS AS REQUIRED TO MAINTAIN THE EXISTING BEAM ELEVATION.



**SECTION A**  
LAMINATED ELASTOMERIC EXPANSION BEARING

**BEARING DETAIL NOTES:**

- WELDING SHALL BE CONTROLLED SO THAT THE PLATE TEMPERATURE AT THE ELASTOMER BONDED SURFACE DOES NOT EXCEED 300° F AS DETERMINED BY THE USE OF PYROMETRIC STICKS OR OTHER TEMPERATURE MONITORING DEVICES.
- THE STEEL LOAD PLATE SHALL BE BONDED BY VULCANIZATION TO THE ELASTOMER DURING THE MOLDING PROCESS. THE STEEL MASONRY PLATE SHALL BE BONDED BY VULCANIZATION TO THE ELASTOMER DURING THE MOLDING PROCESS.
- ELASTOMER SHALL BE 50 DUROMETER HARDNESS.
- STEEL SHALL BE ASTM A 709, GRADE 36 OR 50, PAINTED PER SP 514A.
- CAULK TO BE PER SP 514A, SECTION 2.03.

**NOTES:**

- REMOVE EXISTING ELASTOMERIC BEARING, UPPER STEEL LOAD PLATE AND SUPPLEMENTAL FILL PLATE, WHERE EXISTING, FROM THE BOTTOM OF THE BEAM. CUT EXISTING REMAINING ANCHOR RODS FLUSH WITH THE TOP OF CONCRETE ABUTMENT SEAT. INSTALL NEW ELASTOMERIC BEARING IN ACCORDANCE WITH THE DETAILS ON THIS SHEET. ALL WORK SHALL BE IN ACCORDANCE WITH APPLICABLE PROVISIONS OF ITEM SP 516G - REPLACE EXPANSION BEARING DEVICE.
- REPOSITION EXISTING OVER-EXPANDED TYPE 2 ELASTOMERIC BEARINGS. ALL WORK SHALL BE IN ACCORDANCE WITH ITEM SPECIAL - REPOSITION ELASTOMERIC EXPANSION BEARING INCLUDING MASONRY PLATE.
- IN THE EVENT THAT THE EXISTING OVER-EXPANDED TYPE 2 ELASTOMERIC BEARING DOES NOT REBOUND SUFFICIENTLY DURING THE WORK DESCRIBED IN NOTE 2 ABOVE, THE COMPLETE BEARING SHALL BE REPLACED IN ACCORDANCE WITH THE DETAILS ON THIS SHEET, AS DIRECTED BY THE ENGINEER. THE BEARING REPOSITIONING WORK SHALL BE PERFORMED EARLY IN THE CONTRACT PERIOD TO PERMIT SUFFICIENT TIME TO FABRICATE THE REPLACEMENT BEARINGS AND INSTALL THEM WITHOUT DELAY.

REAR ABUTMENT - EASTBOUND		
REFERENCE #	EXISTING BEARING	BEARING DISPOSITION
18	TYPE 1	REPLACE BEARING, SEE NOTE 1
17	TYPE 1	REPLACE BEARING, SEE NOTE 1
16	TYPE 1	REPLACE BEARING, SEE NOTE 1
15	TYPE 1	REPLACE BEARING, SEE NOTE 1
14	TYPE 1	REPLACE BEARING, SEE NOTE 1
13	TYPE 1	REPLACE BEARING, SEE NOTE 1
12	TYPE 2	REPOSITION ELASTOMERIC BEARING, SEE NOTE 2
11	TYPE 2	REPOSITION ELASTOMERIC BEARING, SEE NOTE 2
10	TYPE 2	REPOSITION ELASTOMERIC BEARING, SEE NOTE 2

FORWARD ABUTMENT - EASTBOUND		
REFERENCE #	EXISTING BEARING	BEARING DISPOSITION
72	TYPE 1	REPLACE BEARING, SEE NOTE 1
71	TYPE 1	REPLACE BEARING, SEE NOTE 1
70	TYPE 1	REPLACE BEARING, SEE NOTE 1
69	TYPE 1	REPLACE BEARING, SEE NOTE 1
68	TYPE 1	REPLACE BEARING, SEE NOTE 1
67	TYPE 1	REPLACE BEARING, SEE NOTE 1
66	TYPE 2	REPOSITION ELASTOMERIC BEARING, SEE NOTE 2
65	TYPE 2	REPOSITION ELASTOMERIC BEARING, SEE NOTE 2
64	TYPE 2	REPOSITION ELASTOMERIC BEARING, SEE NOTE 2

\* TYPE 1 REFERS TO EXISTING ELASTOMERIC BEARINGS WHICH INCLUDE ANCHOR BOLTS THRU SLOTTED HOLES IN THE UPPER LOAD PLATE AND NO MASONRY PLATE. TYPE 2 REFERS TO EXISTING ELASTOMERIC BEARINGS WHICH INCLUDE ANCHOR RODS THRU A MASONRY PLATE BELOW THE ELASTOMERIC BEARING.

1	ADDENDUM NO. 1	SAT	10/11/16
REVISIONS			
NO.	REVISIONS	BY	DATE

**OHIO TURNPIKE AND INFRASTRUCTURE COMMISSION**

**BEARING DETAILS**  
OHIO TURNPIKE OVER STATE ROUTE 19  
SANDUSKY COUNTY

**GPD GROUP**  
520 South Main Street, Suite 2531, Akron, Ohio 44311 Fax 330-572-2100

DESIGNED: EAF	CHECKED: TJW	DATE: 08/26/16
DRAWN: SAT	IN CHARGE: MRG	SCALE: N.T.S.

**PROJECT NO. 39-17-01 SHEET 255 OF 272**

Drawing File: c:\p01\3101\15\structures\SAN080\_080301\Sheet\_080\_090305050002.dwg Layout: Title Sheet Date: Oct 11, 2016 Time: 11:47 am Title: 15727953 Technician: stony

STRUCTURE ESTIMATED QUANTITIES – NS RR WESTBOUND LANES MP 90.7

ITEM	TOTAL	UNIT	DESCRIPTION	ABUTMENTS	PIERS	SUPER-STRUCTURE	GENERAL	CONTINGENCY	AS PER PLAN SHEET
SP 202	LUMP	LUMP	PORTIONS OF STRUCTURE REMOVED				LUMP	75	
SP 516A	162	LIN. FT.	CRACK REPAIR USING EPOXY INJECTION	87				150	
SP 516B	487	LIN. FT.	SEALING OF CONSTRUCTION JOINTS			337			
SP 516G	5	EACH	REPLACE EXPANSION BEARING DEVICE		5				
SP 516G	15	EACH	REPLACE EXPANSION BEARING DEVICE, AS PER PLAN		15				247
SP 516M	8	EACH	RESET EXISTING ROCKER BEARING		8				
SP 519	104	SQ. FT.	PATCHING CONCRETE STRUCTURES	5	49			50	
SP 527	LUMP	LUMP	FALSEWORK, TEMPORARY BRACING AND PROTECTIVE STRUCTURES				LUMP		
SP 529	20	EACH	TRIM END OF STRUCTURAL STEEL MEMBER			20			
SP 533D	344	FOOT	CONTINUOUS ELASTOMER SEAL IN A PORTLAND CEMENT CONCRETE JOINT			344			
601	120	SQ. YD.	CRUSHED AGGREGATE SLOPE PROTECTION, AS PER PLAN	120					247
SPECIAL	5	SQ. YD.	PATCHING CONCRETE BRIDGE DECKS, TYPE B					5	247
SPECIAL	10	CU. YD.	VOID REPAIR UNDER ABUTMENT USING LOW STRENGTH MORTAR	10					248

STRUCTURE ESTIMATED QUANTITIES – NS RR EASTBOUND LANES MP 90.7

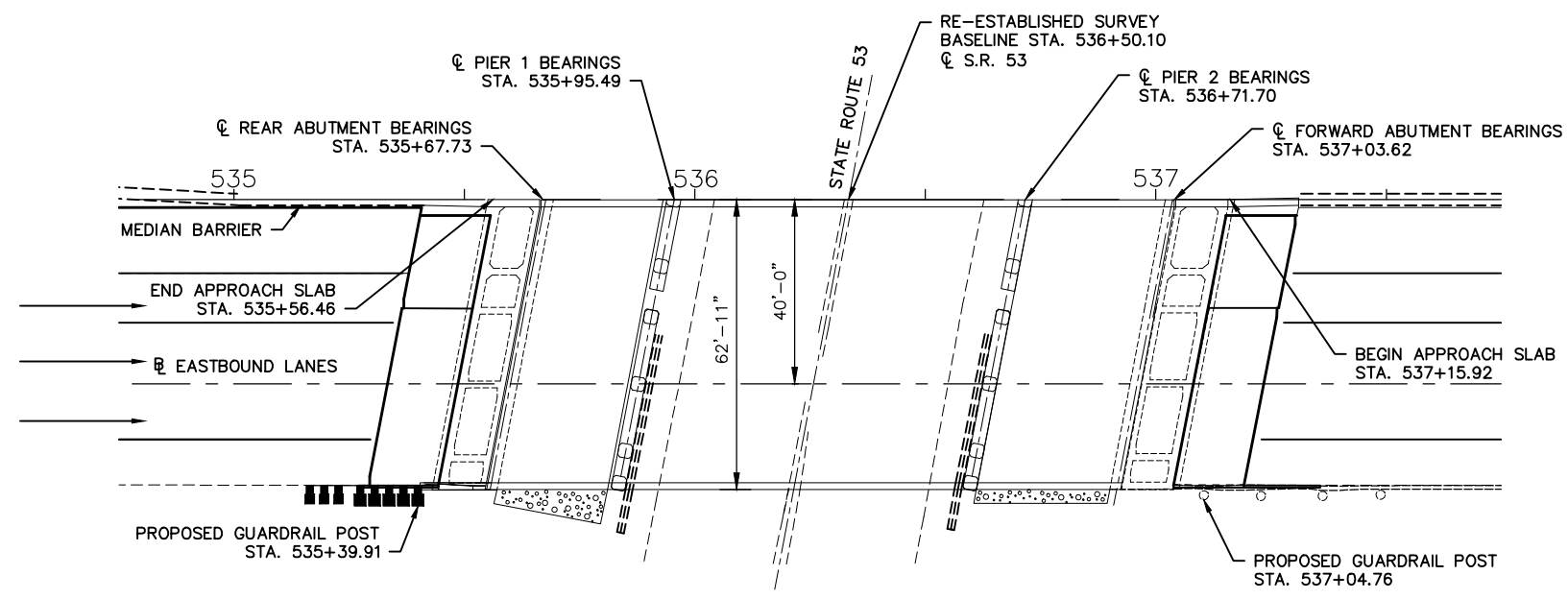
ITEM	TOTAL	UNIT	DESCRIPTION	ABUTMENTS	PIERS	SUPER-STRUCTURE	GENERAL	CONTINGENCY	AS PER PLAN SHEET
SP 202	LUMP	LUMP	PORTIONS OF STRUCTURE REMOVED				LUMP	75	
SP 516A	164	LIN. FT.	CRACK REPAIR USING EPOXY INJECTION	89				150	
SP 516B	1272	LIN. FT.	SEALING OF CONSTRUCTION JOINTS	121		874	127		
SP 516G	15	EACH	REPLACE EXPANSION BEARING DEVICE		15				
SP 516H	1	EACH	REHABILITATION OF FIXED BEARING ASSEMBLY, AS PER PLAN	1					
SP 516M	2	EACH	RESET EXISTING ROCKER BEARING		2				
SP 519	98	SQ. FT.	PATCHING CONCRETE STRUCTURES	44	4			50	
SP 527	LUMP	LUMP	FALSEWORK, TEMPORARY BRACING AND PROTECTIVE STRUCTURES				LUMP		
SP 529	15	EACH	TRIM END OF STRUCTURAL STEEL MEMBER			15			
SP 533D	344	FOOT	CONTINUOUS ELASTOMER SEAL IN A PORTLAND CEMENT CONCRETE JOINT			344			
601	120	SQ. YD.	CRUSHED AGGREGATE SLOPE PROTECTION, AS PER PLAN	120					247
SP 536	338	SQ. YD.	CONCRETE WEATHERPROOFING, BARRIERS AND PARAPETS	60		254	24		
SP 536	1787	SQ. YD.	CONCRETE WEATHERPROOFING, DECK, ABUTMENT SLABS AND APPROACH SLABS	301		1205	281		
SPECIAL	5	SQ. YD.	PATCHING CONCRETE BRIDGE DECKS, TYPE B					5	247
SPECIAL	4	CU. YD.	VOID REPAIR UNDER ABUTMENT USING LOW STRENGTH MORTAR	4					248
SPECIAL	1	EACH	ABUTMENT BEARING PILE REPAIR	1					248

NOTES:  
1. FOR GENERAL NOTES, SEE SHEETS 247 & 248.

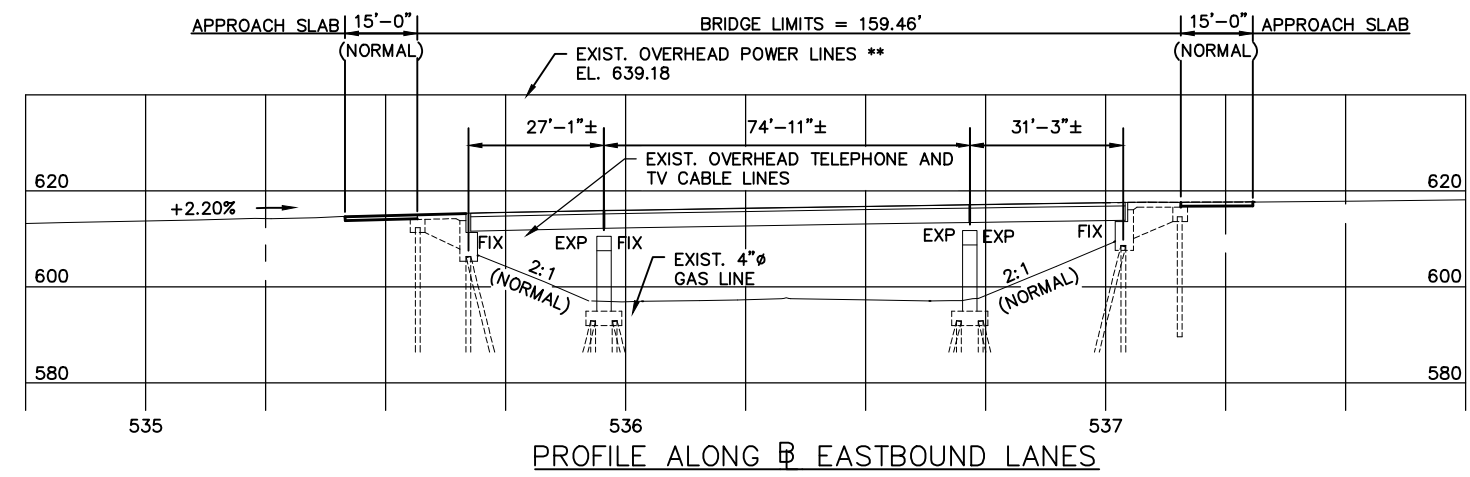
Drawing File: C:\2013\20131115\structures\SA\0906\_09075\Sheets\080\_09075\080001.dwg Layout: Model  
Date: 04/11/2016 Time: 12:03 pm Path: -1572933

Technician: stony

1	ADDENDUM NO. 1	SAT	10/11/16
NO.	REVISIONS	BY	DATE
<b>OHIO TURNPIKE AND INFRASTRUCTURE COMMISSION</b>			
ESTIMATED QUANTITIES OHIO TURNPIKE OVER NS RAILROAD M.P. 90.7 SANDUSKY COUNTY			
<b>GPD GROUP</b> <small>Glass, Pyle, Schmitt, Burns &amp; DeHaven, Inc.</small> 330-572-2100 520 South Main Street, Suite 2531, Akron, Ohio 44311 Fax 330-572-2101			
DESIGNED:	EAF	CHECKED:	TJW DATE: 08/26/16
DRAWN:	SAT	IN CHARGE:	MRG SCALE: N.T.S.
<b>PROJECT NO. 39-17-01 SHEET 257 OF 272</b>			



GENERAL PLAN



PROFILE ALONG B EASTBOUND LANES

EXISTING STRUCTURE	
TYPE:	3 SIMPLE SPAN STEEL BEAMS WITH REINFORCED CONCRETE DECK AND SUBSTRUCTURE.
SPANS:	27'-1"±, 74'-11"±, 31'-3"± C/C BEARINGS
ROADWAY:	59'-10"± TOE/TOE OF DEFLECTOR PARAPETS
SKIEW:	10°55'00"± LEFT FORWARD
LOADING:	HS20-44 (CASE 1) AND THE ALTERNATE MILITARY LOADING
WEARING SURFACE:	MONOLITHIC CONCRETE
APPROACH SLABS:	15'-0"± NORMAL TO ABUTMENTS
ALIGNMENT:	TANGENT
BUILT:	1953, MODIFIED 1984 WIDENED/NEW DECK, THIRD LANE ADDED 1998
SFN:	7229054
OTIC MILEPOST:	92.0
COORDINATES:	LATITUDE: 41°23'57" N, LONGITUDE: 83°06'21" W

SCOPE OF WORK EASTBOUND LANES:

1. REMOVE AND REPLACE EXPANSION JOINTS AND ARMOR AT ABUTMENTS AND PIERS IN ACCORDANCE WITH SP 533D AND OTIC STANDARD DRAWING DJ-7. THE NEW JOINT OPENING AT THE PIERS SHALL BE CENTERED ON THE GAP BETWEEN BEAM ENDS.
2. PATCH THE CONCRETE WEARING SURFACE OF THE ABUTMENT SLABS AND SUPERSTRUCTURE DECK SLAB, IN ACCORDANCE WITH ITEM SPECIAL - PATCHING CONCRETE BRIDGE DECKS, TYPE B. THIS INCLUDES REPAIR OF ANY ISOLATED POTHoles, SCALING OF THE WEARING SURFACE, ETC.
3. PATCH CONCRETE SURFACES OF THE FASCIA AND MEDIAN PARAPETS IN ACCORDANCE WITH SP 519.
4. SEAL CONSTRUCTION JOINTS USING HIGH MOLECULAR WEIGHT METHACRYLATE SEALER PER SP 516B.
5. WEATHERPROOF PARAPET AND DECK EDGE SURFACES WITHIN THE LIMITS SHOWN ON THE PLANS PER SP 536.
6. WEATHERPROOF ENTIRE WEARING SURFACE OF THE APPROACH SLABS, ABUTMENT SLABS AND SUPERSTRUCTURE DECK SLAB PER SP 536.
7. REBUILD DESIGNATED EXPANSION BEARINGS AT PIERS IN ACCORDANCE WITH SP 516K.
8. RESET DESIGNATED EXPANSION BEARINGS AT PIERS IN ACCORDANCE WITH SP 516M.
9. REPAIR DESIGNATED FIXED BEARING AT ABUTMENT IN ACCORDANCE WITH SP 516H.
10. TRIM DESIGNATED BEAM ENDS OVER PIERS TO PERMIT THERMAL EXPANSION OF THE SUPERSTRUCTURE.
11. REMOVE AND REPLACE THE APPROACH SLABS (SEE ROADWAY PLANS).
12. FOR EXPANSION JOINT DETAILS, SEE SHEET 272 OF 272.

STRUCTURE ESTIMATED QUANTITIES - STATE ROUTE 53 MP 92.0

ITEM	TOTAL	UNIT	DESCRIPTION	ABUTMENTS	PIERS	SUPER-STRUCTURE	GENERAL LUMP	CONTINGENCY	AS PER PLAN SHEET
SP 202		LUMP	PORTIONS OF STRUCTURE REMOVED				92		
SP 516B	884	LIN. FT.	SEALING OF CONSTRUCTION JOINTS	70		652		50	
SP 516H		EACH	REHABILITATION OF FIXED BEARING ASSEMBLY, AS PER PLAN	1					247
SP 516K	15	EACH	REBUILD EXPANSION BEARING DEVICE		15				
SP 516M	2	EACH	RESET EXISTING ROCKER BEARING		2				
SP 519	50	SQ. FT.	PATCHING CONCRETE STRUCTURES					50	
SP 527		LUMP	FALSEWORK, TEMPORARY BRACING AND PROTECTIVE STRUCTURES						
SP 529	15	EACH	TRIM END OF STRUCTURAL STEEL MEMBER			15			
SP 533D	252	FOOT	CONTINUOUS ELASTOMER IN PORTLAND CEMENT CONCRETE JOINT			252			
SP 536	224	SQ. YD.	CONCRETE WEATHERPROOFING, BARRIERS AND PARAPETS	30		177	17		
SP 536	1265	SQ. YD.	CONCRETE WEATHERPROOFING, DECK ABUTMENT SLABS AND APPROACH SLABS	157		904	204		
SPECIAL	5	SQ. YD.	PATCHING CONCRETE BRIDGE DECKS, TYPE B					5	247

1	ADDENDUM NO. 1	SAT	10/11/16
NO.	REVISIONS	BY	DATE

**OHIO TURNPIKE AND INFRASTRUCTURE COMMISSION**  
 GENERAL PLAN AND PROFILE  
 OHIO TURNPIKE OVER STATE ROUTE 53  
 M.P. 92.0 SANDUSKY COUNTY



DESIGNED: EAF	CHECKED: TJW	DATE: 08/26/16
DRAWN: SAT	IN CHARGE: MRG	SCALE: N.T.S.

PROJECT NO. 39-17-01 SHEET 264 OF 272

Drawing File: c:\2013\201315\15\structures\SAN086\_092005\Sheets\086\_092000CP01.dwg Layout: Title Sheet  
 DATE: Oct 11, 2016 Time: 12:12 pm User: stony

Technician: stony



**EXISTING STRUCTURE**

**TYPE:** TWO SPAN CONTINUOUS STEEL BEAMS WITH REINFORCED CONCRETE DECK AND SUBSTRUCTURE.

**SPANS:** 50'-3 3/8"±, 50' 3 3/8"± C/C BEARINGS ALONG CENTERLINE OF TURNPIKE

**ROADWAY:** 59'-10"± TOE TO TOE OF DEFLECTOR PARAPETS

**SKEW:** 17°20'00"± RIGHT FORWARD FROM CENTERLINE OF TURNPIKE

**WEARING SURFACE:** MONOLITHIC CONCRETE

**APPROACH SLABS:** 15'-0"± NORMAL TO ABUTMENTS

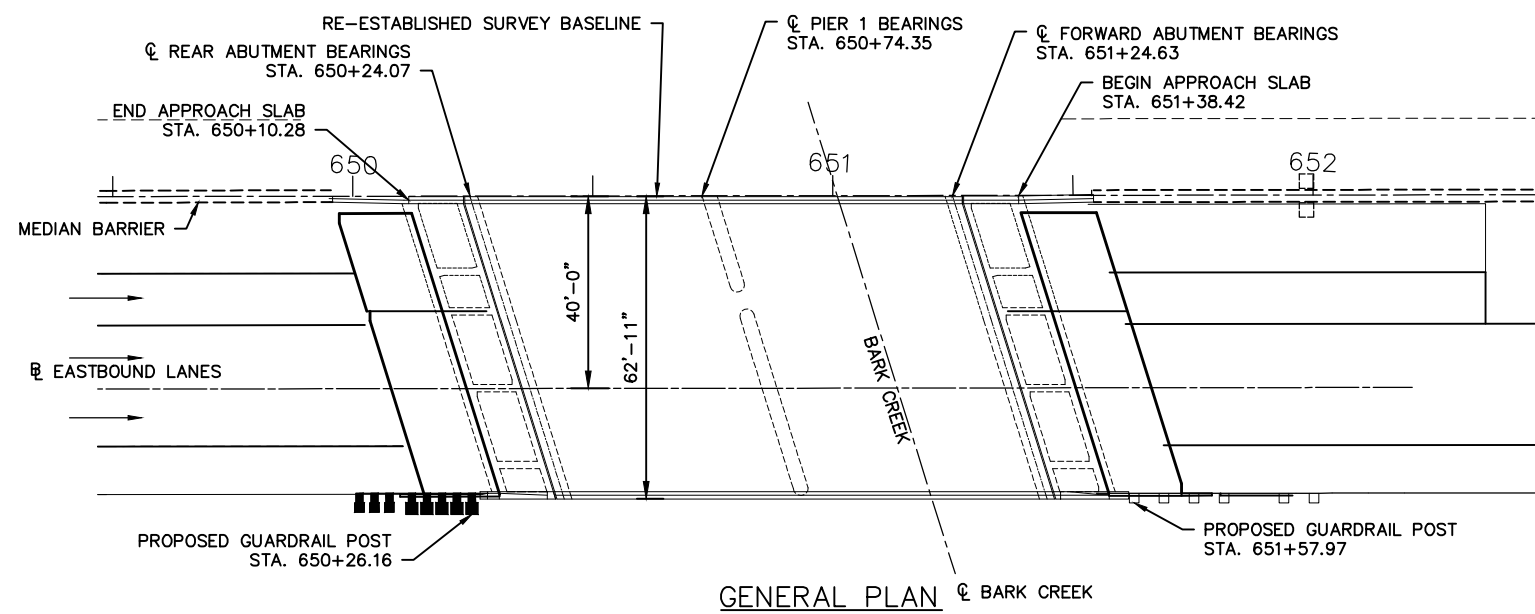
**ALIGNMENT:** TANGENT

**BUILT:** 1954, MODIFIED 1987 WIDENED/NEW DECK THIRD LANE ADDED 1998

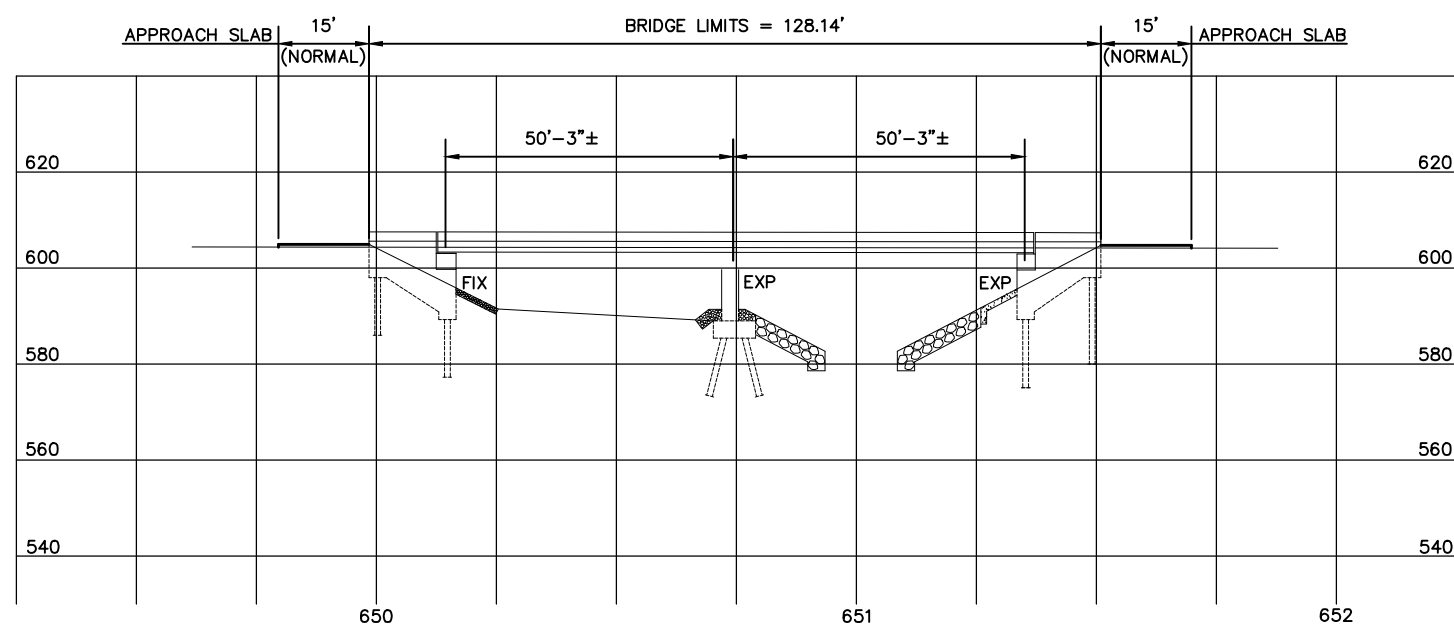
**SFN:** 7229151

**OTIC MILEPOST:** 94.2

**COORDINATES:** N 41°23'28", W 83°03'58"



**GENERAL PLAN** ☐ BARK CREEK



**PROFILE ALONG** ☐ EASTBOUND LANES

**SCOPE OF WORK EASTBOUND LANES:**

1. REMOVE AND REPLACE EXPANSION JOINTS AT ABUTMENTS IN ACCORDANCE WITH SP 533D.
2. PATCH THE CONCRETE WEARING SURFACE OF THE ABUTMENT SLABS AND SUPERSTRUCTURE DECK SLAB, IN ACCORDANCE WITH ITEM SPECIAL - PATCHING CONCRETE BRIDGE DECKS, TYPE B. THIS INCLUDES REPAIR OF ANY ISOLATED POTHOLES, SCALING OF THE WEARING SURFACE, ETC.
3. PATCH CONCRETE SURFACES OF THE FASCIA AND MEDIAN PARAPETS IN ACCORDANCE WITH SP 519.
4. SEAL CONSTRUCTION JOINTS USING HIGH MOLECULAR WEIGHT METHACRYLATE SEALER PER SP 516B.
5. WEATHERPROOF PARAPET AND DECK EDGE SURFACES WITHIN THE LIMITS SHOWN ON THE PLANS PER SP 536.
6. WEATHERPROOF ENTIRE WEARING SURFACE OF THE APPROACH SLABS, ABUTMENT SLABS AND SUPERSTRUCTURE DECK SLAB PER SP 536.
7. REPOSITION OVER-EXPANDED ELASTOMERIC BEARINGS AT FORWARD ABUTMENT IN ACCORDANCE WITH ITEM SPECIAL -REPOSITION ELASTOMERIC EXPANSION BEARING. REPLACE THESE BEARINGS AS DIRECTED BY THE ENGINEER IF THE ELASTOMER DOES NOT REPOSITION PROPERLY.
8. REMOVE AND REPLACE THE APPROACH SLABS (SEE ROADWAY PLANS).
9. FOR EXPANSION JOINT DETAILS, SEE SHEET 272 OF 272 .

**STRUCTURE ESTIMATED QUANTITIES - BARK CREEK MP 94.2**

ITEM	TOTAL	UNIT	DESCRIPTION	ABUTMENTS	PIERS	SUPER-STRUCTURE	GENERAL	CONTINGENCY	AS PER PLAN SHEET
SP 202		LUMP	PORTIONS OF STRUCTURE REMOVED				LUMP		
SP 516B	657	LIN. FT.	SEALING OF CONSTRUCTION JOINTS	74		439	94	50	
SP 516G		EACH	REPLACE EXPANSION BEARING DEVICE					9	
SP 519	150	SQ. FT.	PATCHING CONCRETE STRUCTURES					150	
SP 527		LUMP	FALSEWORK, TEMPORARY BRACING AND PROTECTIVE STRUCTURES				LUMP		
SP 533D	128	LIN. FT.	CONTINUOUS ELASTOMER SEAL IN PORTLAND CEMENT CONCRETE JOINT			128			
SP 536	197	SQ. YD.	CONCRETE WEATHERPROOFING, BARRIERS AND PARAPETS	32		147	18		
SP 536	1068	SQ. YD.	CONCRETE WEATHERPROOFING, DECK, ABUTMENT SLABS AND APPROACH SLABS	164		695	209		
SPECIAL	5	SQ. YD.	PATCHING CONCRETE BRIDGE DECKS, TYPE B					5	247
SPECIAL	9	EACH	REPOSITION ELASTOMERIC EXPANSION BEARING	9					248

1	ADDENDUM NO. 1	SAT	10/11/16
NO.	REVISIONS	BY	DATE

**OHIO TURNPIKE AND INFRASTRUCTURE COMMISSION**

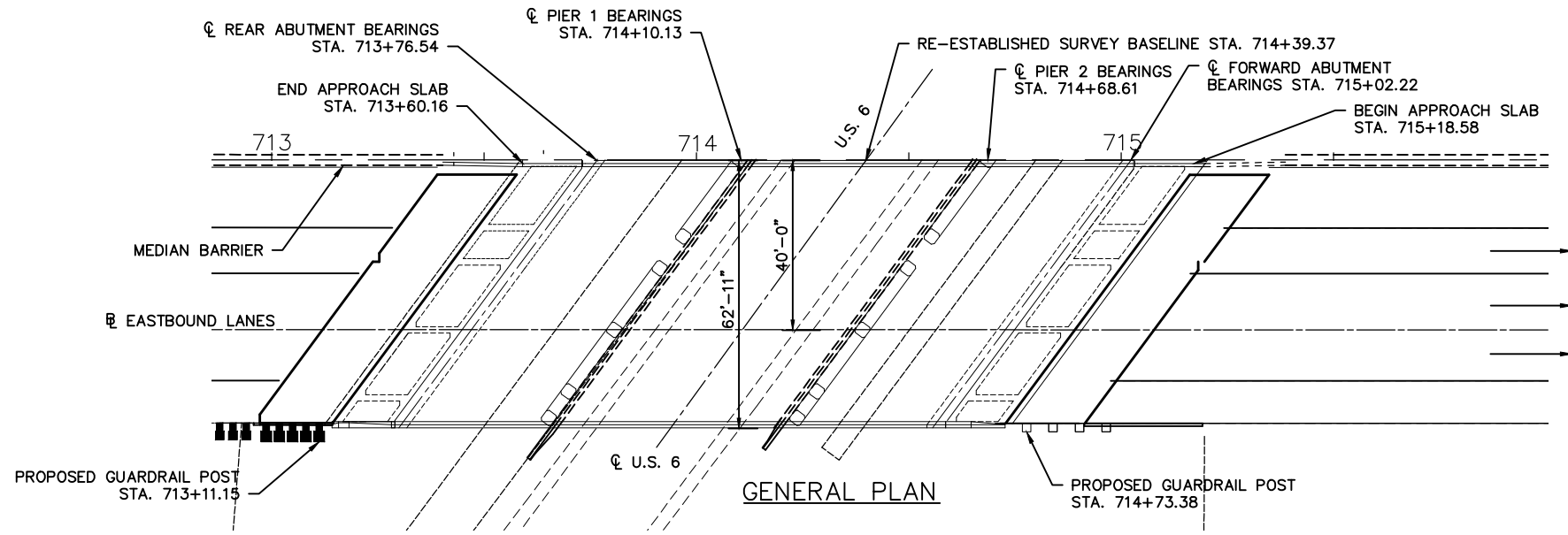
**GENERAL PLAN AND PROFILE**  
OHIO TURNPIKE OVER BARK CREEK  
M.P. 94.2 SANDUSKY COUNTY

**GPD GROUP**  
520 South Main Street, Suite 2531, Akron, Ohio 44311 Fax 330-572-2100

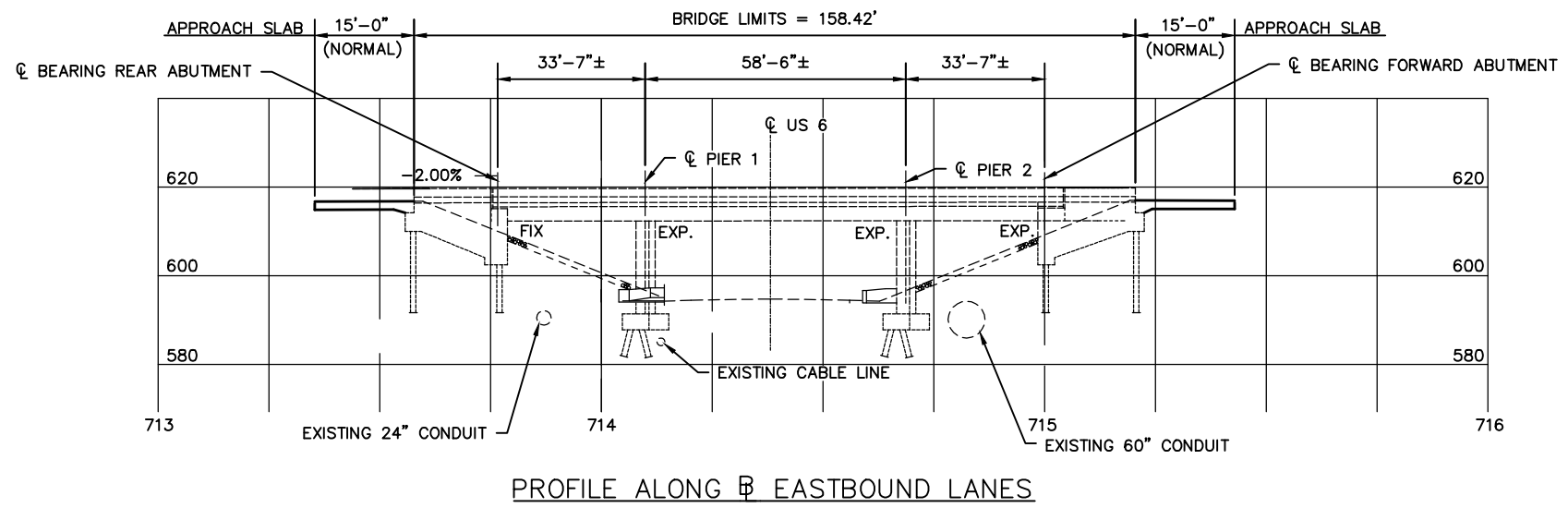
DESIGNED: EAF	CHECKED: TJW	DATE: 08/26/16
DRAWN: SAT	IN CHARGE: MRG	SCALE: N.T.S.

**PROJECT NO. 39-17-01 SHEET 266 OF 272**

Drawing File: c:\2013\1515\structures\SAN080\_09421\Sheet\_09421.dwg  
 Date: Oct 11, 2016 Time: 11:28 am  
 Technician: stony



EXISTING STRUCTURE	
TYPE:	THREE SPAN CONTINUOUS STEEL BEAMS WITH REINFORCED CONCRETE DECK AND SUBSTRUCTURE.
SPANS:	33'-7 1/8"±, 58' 5 3/4"±, 33'-7 1/8"± C/C BEARINGS ALONG CENTERLINE OF TURNPIKE
ROADWAY:	59'-10"± TOE TO TOE OF DEFLECTOR PARAPETS
SKEW:	36°30'40"± LEFT FORWARD FROM CENTERLINE OF TURNPIKE
WEARING SURFACE:	MONOLITHIC CONCRETE
APPROACH SLABS:	15'-0"± NORMAL TO ABUTMENTS
ALIGNMENT:	TANGENT
BUILT:	1954, MODIFIED 1987 WIDENED/NEW DECK THIRD LANE ADDED 1998
SFN:	7229240
OTIC MILEPOST:	95.4
COORDINATES:	N 41°23'13", W 83°02'38"



- SCOPE OF WORK EASTBOUND LANES:
1. REMOVE AND REPLACE EXPANSION JOINTS AT ABUTMENTS IN ACCORDANCE WITH SP 533D AND OTIC STANDARD DRAWING DJ-7.
  2. PATCH THE CONCRETE WEARING SURFACE OF THE ABUTMENT SLABS AND SUPERSTRUCTURE DECK SLAB, IN ACCORDANCE WITH ITEM SPECIAL - PATCHING CONCRETE BRIDGE DECKS, TYPE B. THIS INCLUDES REPAIR OF ANY ISOLATED POTHOLES, SCALING OF THE WEARING SURFACE, ETC.
  3. PATCH CONCRETE SURFACES OF THE FASCIA AND MEDIAN PARAPETS IN ACCORDANCE WITH SP 519.
  4. SEAL CONSTRUCTION JOINTS AND ALL CRACKS ON ABUTMENT SLABS AND DECK SLAB USING HIGH MOLECULAR WEIGHT METHACRYLATE SEALER PER SP 516B.
  5. WEATHERPROOF PARAPET AND DECK EDGE SURFACES WITHIN THE LIMITS SHOWN ON THE PLANS PER SP 536.
  6. WEATHERPROOF ENTIRE WEARING SURFACE OF THE APPROACH SLABS, ABUTMENT SLABS AND SUPERSTRUCTURE DECK SLAB PER SP 536.
  7. RESET DESIGNATED EXPANSION BEARINGS IN ACCORDANCE WITH SP 516M.
  8. REPLACE DESIGNATED EXPANSION BEARINGS AT PIERS IN ACCORDANCE WITH SP 516G.
  9. REHABILITATE DESIGNATED FIXED BEARINGS AT THE REAR ABUTMENT IN ACCORDANCE WITH SP516H.
  10. REBUILD DESIGNATED EXPANSION BEARINGS IN ACCORDANCE WITH SP 516K.
  11. REPLACE BEARING PEDESTALS AT ABUTMENTS IN ACCORDANCE WITH ITEM SPECIAL - PEDESTAL REPLACEMENT
  12. REMOVE AND REPLACE THE APPROACH SLABS (SEE ROADWAY PLANS).
  13. FOR EXPANSION JOINT DETAILS, SEE SHEET 272 OF 272.

STRUCTURE ESTIMATED QUANTITIES - U.S. 6 MP 95.4

ITEM	TOTAL	UNIT	DESCRIPTION	ABUTMENTS	PIERS	SUPER-STRUCTURE	GENERAL	CONTINGENCY	AS PER PLAN SHEET
SP 202	LUMP	LUMP	PORTIONS OF STRUCTURE REMOVED				LUMP		
SP 516B	790	LIN. FT.	SEALING OF CONSTRUCTION JOINTS	89		539	112	50	
SP 516G	12	EACH	REPLACE EXPANSION BEARING DEVICE		12				
SP 516H	9	EACH	REHABILITATION OF FIXED BEARING ASSEMBLY	9					
SP 516K	1	EACH	REBUILD EXPANSION BEARING DEVICE	1					
SP 516M	5	EACH	RESET EXISTING ROCKER BEARING	5					
SP 519	50	SQ. FT.	PATCHING CONCRETE STRUCTURES					50	
SP 527	LUMP	LUMP	FALSEWORK, TEMPORARY BRACING AND PROTECTIVE STRUCTURES				LUMP		
SP 533D	152	FOOT	CONTINUOUS ELASTOMER SEAL IN PORTLAND CEMENT CONCRETE JOINT			152			
SP 536	242	SQ. YD.	CONCRETE WEATHERPROOFING, BARRIERS AND PARAPETS	39		182	21		
SP 536	1293	SQ. YD.	CONCRETE WEATHERPROOFING, DECK, ABUTMENT SLABS AND APPROACH SLABS	198		855	240		
SPECIAL	5	SQ. YD.	PATCHING CONCRETE BRIDGE DECKS, TYPE B					5	247
SPECIAL	12	EACH	PEDESTAL REPLACEMENT	6				6	248

1	ADDENDUM NO. 1	SAT	10/11/16
NO.	REVISIONS	BY	DATE

**OHIO TURNPIKE AND INFRASTRUCTURE COMMISSION**

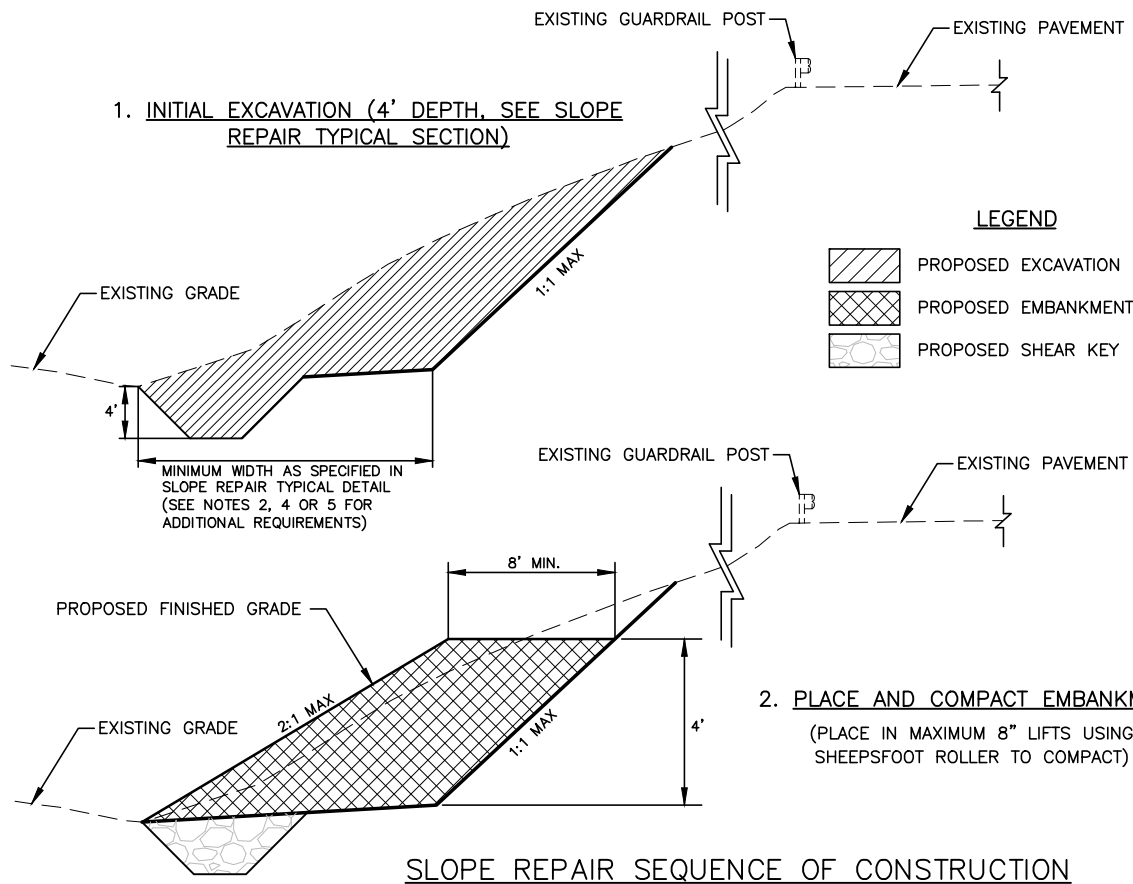
**GENERAL PLAN AND PROFILE**  
OHIO TURNPIKE OVER U.S. 6  
M.P. 95.4 SANDUSKY COUNTY

**GPD GROUP**  
520 South Main Street, Suite 2531, Akron, Ohio 44311 Fax 330-572-2100

DESIGNED: EAF	CHECKED: TJW	DATE: 08/26/16
DRAWN: SAT	IN CHARGE: MRG	SCALE: N.T.S.

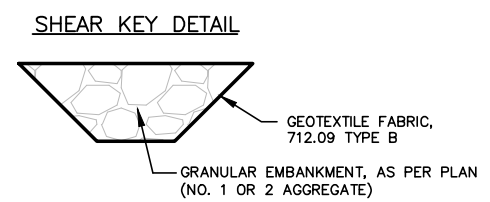
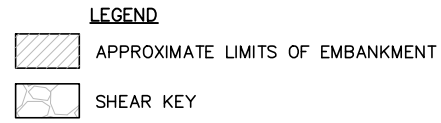
**PROJECT NO. 39-17-01 SHEET 269 OF 272**

Drawing File: c:\2013\20131115\Infrastructure\SAN060\_09542\Sheet\080\_09542\20131115.dwg Layout: Title Sheet  
 Date: Oct 11, 2016 Time: 12:01 pm User: 15727953  
 Technician: stony



**GENERAL NOTES**

- (1) - THE GENERAL AREA OF SLOPE FAILURE REPAIRS ARE SHOWN ON THE PLAN AND PROFILE SHEETS. THIS ITEM SHALL CONSIST OF EXCAVATING, DRYING THE SOIL AND EMBANKING THE EXISTING SLOPE MATERIAL WITH THE INCLUSION OF A LIMESTONE SAND TO REBUILD THE SLOPES IN ACCORDANCE WITH THE NOTES AND DETAILS ON THIS SHEET. THE QUANTITIES FOR EXCAVATION INCLUDING EMBANKMENT CONSTRUCTION SHALL BE PAID BY THE NUMBER OF CUBIC YARDS PLACED TO REESTABLISH THE EXISTING SLOPES.
- (2) - THE SLOPE REPAIR SEQUENCE OF CONSTRUCTION SHOWN ON THIS SHEET CORRESPONDS TO THE SLOPE REPAIR TYPICAL ON THIS SHEET. THE REPAIR SEQUENCE IN OTHER AREAS SHALL BE CONSTRUCTED IN SIMILAR SEQUENTIAL ORDER BEGINNING WITH INITIAL FILL.
- (3) - THE FAILURE PLANE SHOWN AND THE LIMITS OF CORRECTIVE WORK ARE ESTIMATED. THE ACTUAL FAILURE PLANE SHALL BE DETERMINED BY CAREFUL TRENCHING NORMAL TO THE EMBANKMENT PRIOR TO ANY EXCAVATION AND/OR REMOVAL OF THE FAILED EMBANKMENT MATERIAL. THE PRESENCE OF, AND LOCATION OF, THE FAILURE PLANE SHALL BE VERIFIED BY THE CHIEF ENGINEER AND COMMISSION'S TESTING LAB.
- (4) - THE CONTRACTOR SHALL REMOVE THE EXISTING SLOPE MATERIAL AND SPREAD OUT AND DRY THE SOIL IN ACCORDANCE WITH ITEM 203.07A.
- (5) - BENCHES SHALL BE CUT INTO SOFT OR LOOSE MATERIAL AND EXTEND A MINIMUM OF 3 FEET BEYOND THE FAILURE PLANE INTO FIRM AND STABLE MATERIAL. BENCHING AND LIMITS OF CORRECTIVE WORK SHOWN ON THE PLANS SHALL BE MODIFIED, IF NECESSARY, IN ACCORDANCE WITH THE FIELD CONDITIONS TO ENSURE THAT THE FAILURE PLANE IS LOCATED AND MATERIAL IS REMOVED AND REPLACED TO THE DIMENSIONS SHOWN ON THE PLANS OR AS DIRECTED BY THE CHIEF ENGINEER.
- (6) - THE TOP 6 INCHES OF SUBGRADE AT THE BOTTOM OF THE EMBANKMENT EXCAVATION SHALL BE COMPACTED TO A MINIMUM DENSITY OF 98% (AASHTO T-99) PRIOR TO PLACING NEW EMBANKMENT MATERIAL.
- (7) - FOLLOWING COMPLETION OF THE INITIAL BENCH EXCAVATION, EXCAVATION OF THE SHEAR KEY AT THE TOE OF THE PROPOSED FINAL SLOPE GRADE SHALL BE PERFORMED PRIOR TO PLACING THE NEW EMBANKMENT. THE DIMENSIONS OF THE SHEAR KEY SHALL BE AS SHOWN ON THE SLOPE REPAIR TYPICAL DETAIL AND PLACEMENT OF THE MATERIAL SHALL BE IN ACCORDANCE WITH ITEM 203.
- (8) - THE SURFACE OF BENCHED AREAS SHALL BE SLOPED TO DRAIN DURING INCLEMENT WEATHER TO PREVENT SATURATION OF THE CONSTRUCTED BENCHES.
- (9) - PLACEMENT AND COMPACTION OF EMBANKMENT SHALL BE DONE IN NO MORE THAN 8" LIFTS. WHERE REQUIRED FOR STABILITY, THE CONTRACTOR SHALL MIX ONE (1) INCH OF A LIMESTONE SAND PER EIGHT (8) INCH LIFT (APPROXIMATELY 10% RATIO BY VOLUME BLENDED IN THE CLAY SOILS). THIS MODIFIED SOIL SHALL BE PLACED / BENCHED AS SHOWN ON THE SLOPE REPAIR TYPICAL AND COMPACTED IN ACCORDANCE WITH ITEM 203. THE CONTRACTOR SHALL ALSO PROVIDE THE MEANS AND METHOD BY WHICH THE CONTRACTOR INTENDS ON DRYING AND MIXING THE EXISTING EMBANKMENT MATERIAL WITH THE LIMESTONE SAND FOR REVIEW AND APPROVAL BY THE CHIEF ENGINEER.
- (10) - ALL EMBANKMENT MATERIAL UNDER ITEM 203, SHALL BE TESTED BY THE COMMISSION TO INSURE THAT THE MATERIAL HAS A MINIMUM EFFECTIVE FRICTION ANGLE OF 28 DEGREES AND SHALL EXHIBIT A MINIMUM DRAIN COHESION OF 200 PSF. THE TESTING RESULTS OF THE COMMISSION'S TESTING AGENCY SHALL BE THE DETERMINING FACTOR FOR THIS REQUIREMENT. THE TEST RESULTS OF THE CONTRACTOR'S TESTING AGENCY WILL NOT BE CONSIDERED FOR THIS REQUIREMENT. THE CONTRACTOR SHALL BE RESPONSIBLE FOR PROVIDING/EXCAVATING A MINIMUM OF TWO SAMPLES OF THE EXISTING SLOPE MATERIAL AT A DEPTH OF 1 TO 3 FEET BELOW GRADE FOR EACH SLOPE AREA TO BE TESTED BY THE COMMISSION'S TESTING AGENCY. THE SAMPLES SHALL BE OBTAINED AT THE BEGINNING AND END LIMITS OF THE SLIDE REPAIR AREA, AT THE MIDPOINT OF THE SLOPE OR AS FAR AS THE EXCAVATION EQUIPMENT CAN REACH FROM THE ROADWAY SHOULDER.
- (11) - ALTHOUGH A TYPICAL CROSS SECTION IS PROVIDED INDICATING PROPOSED BENCHING OF THE EMBANKMENT FOUNDATION THROUGHOUT THE PROJECT, NO WAIVER OF SPECIFICATION IS INTENDED. ALL OTHER SLOPE EMBANKMENT AREAS SHALL BE BENCHED AS SET FORTH IN THE ITEM 203. NO ADDITIONAL PAYMENT WILL BE MADE FOR BENCHING REQUIRED UNDER ITEM 203.
- (12) - IF THE REQUIREMENTS OF NOTE 10 ARE NOT MET, A CONTINGENCY QUANTITY OF 4030 CY OF ITEM SPECIAL - LIMESTONE SAND HAS BEEN CARRIED TO THE GENERAL SUMMARY TO IMPROVE THE SOIL AS DIRECTED BY THE COMMISSION'S TESTING AGENCY. THE ADDITIONAL SAND SHALL BE INCORPORATED IN A UNIFORM THICKNESS OF LIMESTONE SAND PER EIGHT (8") INCH LIFT PRIOR TO EMBANKING THE SOIL. THE LIMESTONE SAND SHALL MEET THE REQUIREMENTS OF LIMESTONE FINE AGGREGATE IN ACCORDANCE WITH 703 OF THE CMS.



**NOTES**

- (1) - NUMBER OF BENCHES VARIES BASED ON HEIGHT OF SLOPE
- (2) - GEOTECHNICAL REPORT FOR THIS PROJECT IS AVAILABLE FOR REVIEW AT THE COMMISSION'S ADMINISTRATION BUILDING IN BEREA, OHIO.

SLOPE REPAIR AREA	MILE POST	LENGTH	LENGTH DESIGNATED FOR REPAIR	APPROX. WIDTH OF REPAIR	AVERAGE EMBANKMENT HEIGHT FOR REPAIR	AVERAGE NUMBER OF BENCHES	203		203		203		204		659		671	
							EXCAVATION, INCLUDING EMBANKMENT AS PER PLAN (#)	BORROW	GRANULAR EMBANKMENT, AS PER PLAN (SHEAR KEY) (*)	GEOTEXTILE FABRIC, TYPE B	TOPSOIL FURNISHED & PLACED (FOR SLOPES)	SEEDING AND MULCHING	EROSION CONTROL MAT, TYPE B					
(SL- )	BEGIN	END	FEET	FEET	FEET	EACH	CU. YD.	CU. YD.	CU. YD.	SQ. YD.	CU. YD.	SQ. YD.	CU. YD.	SQ. YD.	SQ. YD.	SQ. YD.		
SL-1	90.32	90.33	55	95	60	23	5.75	1295	647	65	167	54	493	493				
SL-2	90.41	90.43	130	170	60	25	6.25	2519	1259	154	395	108	979	979				
SL-3	90.51	90.54	165	205	68	29	7.25	3523	1761	196	501	151	1370	1370				
SL-4	90.74	90.77	170	210	84	36	9	4480	2240	201	516	194	1765	1765				
SL-5	90.86	90.94	400	440	68	28	7	7301	3650	474	1214	325	2953	2953				
SL-6	92.44	92.45	75	115	92	38	9.5	2590	1295	89	228	111	1007	1007				
SL-7	92.55	92.65	500	540	68	26	6.5	8320	4160	593	1517	401	3645	3645				
SL-8	95.38	95.56	920	960	60	18	4.5	10240	5120	1090	2792	546	4961	4961				
<b>TOTALS CARRIED TO GENERAL SUMMARY</b>								<b>40267</b>	<b>20133</b>	<b>2862</b>	<b>7329</b>	<b>1889</b>	<b>17174</b>	<b>17174</b>				

- (#) - THE ESTIMATED QUANTITIES FOR EXCAVATION INCLUDING EMBANKMENT, AS PER PLAN ARE APPROXIMATE AND BASED ON A SET REMOVAL AREA OF 16' X 4' X LENGTH DESIGNATED FOR REPAIR X NUMBER OF BENCHES. THE ACTUAL EXCAVATION INCLUDING EMBANKMENT QUANTITIES SHALL BE VERIFIED BY FIELD SURVEY. THE CONTRACTOR SHALL FIELD SURVEY THE SLOPE REPAIR AREA PRIOR TO, DURING, AND AFTER EXCAVATION AND EMBANKMENT OPERATIONS. THE SURVEY SHALL GENERATE CROSS SECTIONS AT 100 FOOT INTERVALS. AVERAGE END AREAS WILL BE USED TO DETERMINE THE ACTUAL AMOUNT OF MATERIAL REMOVED AND REPLACED. WHERE THE CONTRACT CALLS OUT "EXCAVATION INCLUDING EMBANKMENT" THE WORK FOR EMBANKMENT WILL NOT BE PAID FOR AS SUCH, BUT WILL BE CONSIDERED INCIDENTAL TO "EXCAVATION INCLUDING EMBANKMENT". THE COST OF SURVEYING, GENERATING CROSS SECTIONS AND QUANTITIES SHALL BE CONSIDERED INCIDENTAL TO THE PROJECT. NO ADDITIONAL COMPENSATION WILL BE GRANTED.
- (\*) - THE ESTIMATED QUANTITY OF EXCAVATION AND GRANULAR EMBANKMENT, AS PER PLAN (NO. 1 OR 2 AGGREGATE) FOR THE SHEAR KEY ARE BASED ON A CONSTANT CROSS SECTION AS SHOWN IN THE SLOPE REPAIR TYPICAL DETAIL AND THE LENGTH OF THE REPAIR AREA (NOT THE LENGTH DESIGNATED FOR REPAIR).

**BENCHING UNDERCUT AND REPLACEMENT**

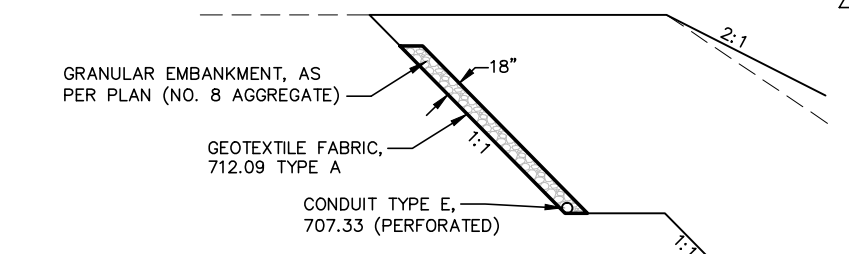
IF UNSUITABLE MATERIAL AND/OR UNSTABLE SOIL IS ENCOUNTERED AT THE BOTTOM OF THE BENCH CUT, UNDERCUT THE UNSUITABLE/UNSTABLE MATERIAL TO A DEPTH OF 1.5 FEET BELOW THE BOTTOM OF THE BENCH CUT AND REPLACE WITH ITEM 203 GRANULAR MATERIAL, TYPE C, WITH ITEM 204 GEOTEXTILE FABRIC, 712.09 TYPE A. THE FOLLOWING ESTIMATED CONTINGENCY QUANTITIES HAVE BEEN CARRIED TO THE GENERAL SUMMARY TO BE USED AS DIRECTED BY THE CHIEF ENGINEER FOR BENCHING UNDERCUT AND REPLACEMENT.

ITEM 203 - GRANULAR MATERIAL, TYPE C	230 CY
ITEM 204 - GEOTEXTILE FABRIC, 712.09 TYPE A	460 SY

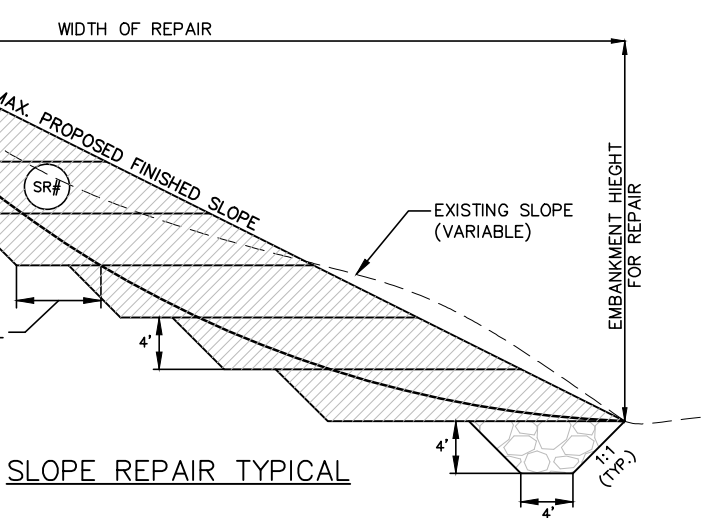
**BENCHING SLOPE DRAINS**

IF WET, UNSTABLE SOILS ARE ENCOUNTERED DURING CONSTRUCTION OF THE BENCHING, SLOPE DRAINS SHALL BE INSTALLED AT THE BACK OF THE EXCAVATION AS DETAILED BELOW. THESE DRAINS SHALL CONSIST OF ITEM 203 GRANULAR EMBANKMENT, AS PER PLAN (NO. 8 AGGREGATE), ITEM 204 GEOTEXTILE FABRIC, 712.09 TYPE A, AND ITEM 603 - 6" CONDUIT TYPE E, 707.31 (TYPE CP). THE GRANULAR EMBANKMENT SHALL BE PLACED IN LIFTS AS THE BENCHING BACKFILL IS CONSTRUCTED. TRANSVERSE OUTLET DRAINS SHALL OUTLET FROM THE AGGREGATE DRAIN AT THE LOW END OF THE BENCHES. THESE OUTLET DRAINS SHALL CONSIST OF ITEM 603 CONDUIT TYPE F, 707.33 WITH ITEM 603 PRECAST REINFORCED CONCRETE OUTLETS. TRANSVERSE OUTLET SHALL BE INSTALLED AT A MINIMUM 1 PERCENT SLOPE AND OUTLET THROUGH THE FACE OF THE SLOPE. PROVIDE ITEM 601 ROCK CHANNEL PROTECTION WITH FILTER FABRIC LINING OR OTHER EROSION PROTECTION BELOW THE OUTLETS, EXTENDING TO THE TOE OF THE SLOPE. THE FOLLOWING ESTIMATED CONTINGENCY QUANTITIES HAVE BEEN CARRIED TO THE GENERAL SUMMARY TO BE USED AS DIRECTED BY THE CHIEF ENGINEER FOR BENCHING SLOPE DRAINS.

ITEM 203 - GRANULAR EMBANKMENT, AS PER PLAN (NO. 8 AGGREGATE)	95 CY
ITEM 204 - GEOTEXTILE FABRIC, 712.09 TYPE A	510 SY
ITEM 603 - 6" CONDUIT TYPE E, 707.31 (TYPE CP)	415 LF
ITEM 603 - 6" CONDUIT TYPE F, 707.33	180 LF
ITEM 603 - PRECAST REINFORCED CONCRETE OUTLET	9 EACH
ITEM 601 - ROCK CHANNEL PROTECTION, TYPE B WITH FILTER	4 CY



**BENCHING SLOPE DRAIN DETAIL**



**SLOPE REPAIR TYPICAL**

Drawing File: c:\2013\20131515\geotechnical\Sheets\14-020(7)\_SLOPE REPAIR NOTES-rev.DWG Layout: Model  
 Date: 06/14/2016 Time: 11:15 am User: 157279653  
 Technician: pfrj

1	ADDENDUM NO. 1	CLH	10/14/16
NO.	REVISIONS	BY	DATE
<b>OHIO TURNPIKE AND INFRASTRUCTURE COMMISSION</b> SLOPE REPAIR DETAIL 1			
RESOURCE INTERNATIONAL, INC. 6350 PRESIDENTIAL GATEWAY COLUMBUS, OH 43221			
DESIGNED: BRT	CHECKED: JPS	DATE: 02/18/16	
DRAWN: RRM	IN CHARGE: JAM	SCALE: N.T.S.	