



**OHIO TURNPIKE AND
INFRASTRUCTURE COMMISSION**

BID INVITATION NO. 4327

ADDENDUM NO. 1

STEEL ROCKER BEARINGS AND ELASTOMERIC BEARINGS

**OPENING DATE:
2:00 P.M. (EASTERN TIME), NOVEMBER 27, 2018**

ATTENTION OF BIDDERS IS DIRECTED TO:

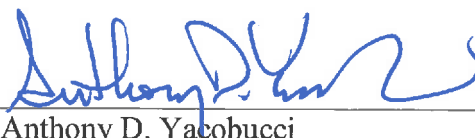
ANSWERS TO QUESTIONS RECEIVED THROUGH 5:00PM ON NOVEMBER 14, 2018

-AND-

REVISIONS TO THE CONTRACT DOCUMENTS

Plan Sheets 1 and 2 of 2

Issued by the Ohio Turnpike and Infrastructure Commission by Anthony D. Yacobucci, Chief Engineer, and Mark R. Musson, Director of Contracts Administration.


Anthony D. Yacobucci
11/14/18
Date


Mark R. Musson
11/14/18
Date

ANSWERS TO QUESTIONS RECEIVED THROUGH 5:00PM ON NOVEMBER 14, 2018:

Q#1 Are masonry plates required for the elastomeric expansion bearings?

A#2 Yes. Accordingly, the enclosed Plan Sheets 1 and 2 of 2 are substituted through this Addendum No. 1 for those attached to the original invitation to bid.

MODIFIED CONTRACT DOCUMENTS

With this Addendum No. 1, the Commission substitutes the enclosed material for the following Contract Documents:

Plan Sheets: 1 and 2 of 2 with additions and deletions to the Plan Drawings are called out with a cloud and marked with a revision triangle as thus:



Addendum No. 1

Invitation No. 4327 is hereby acknowledged:

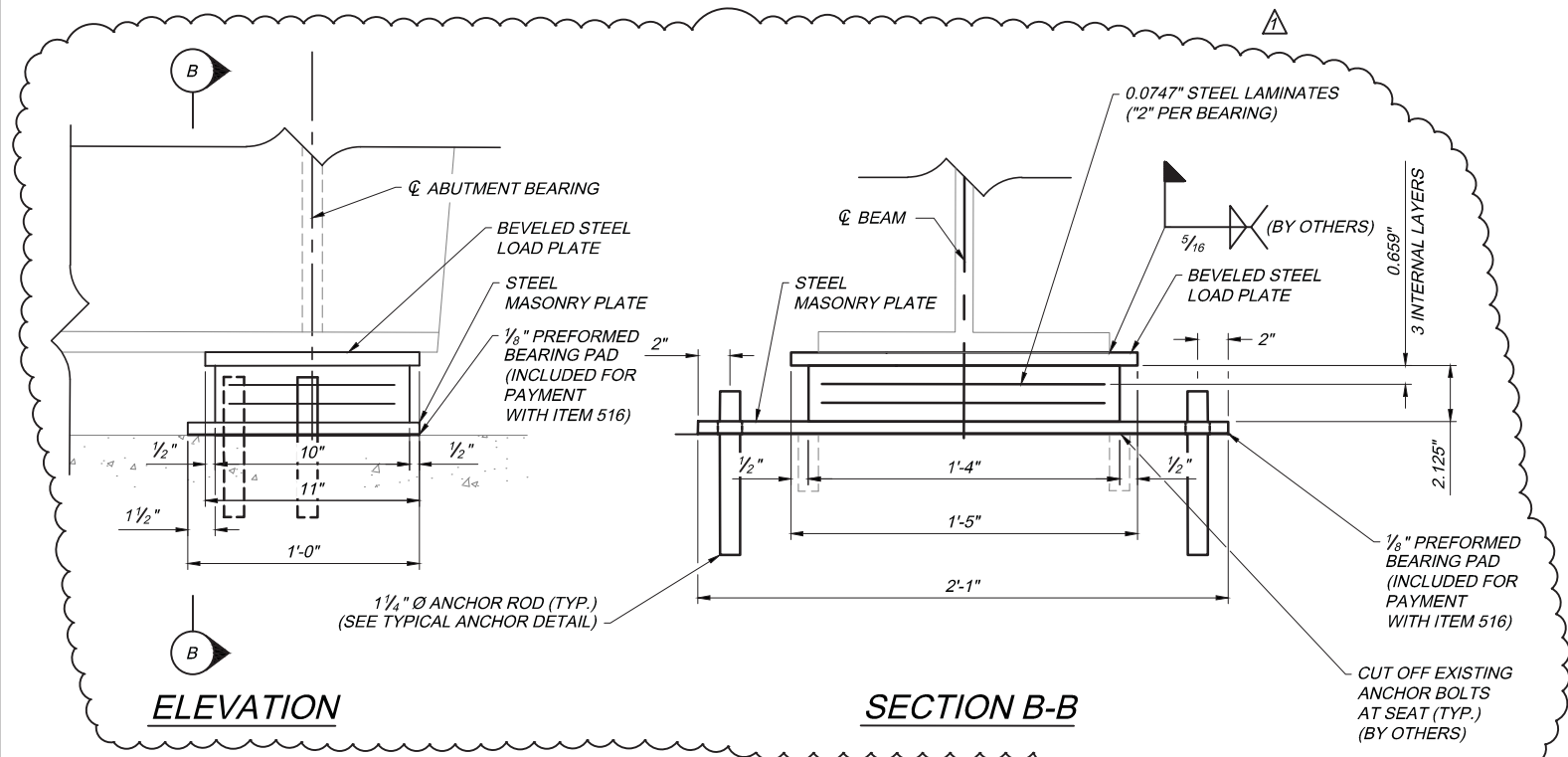
(Firm Name) _____

(Signature) _____

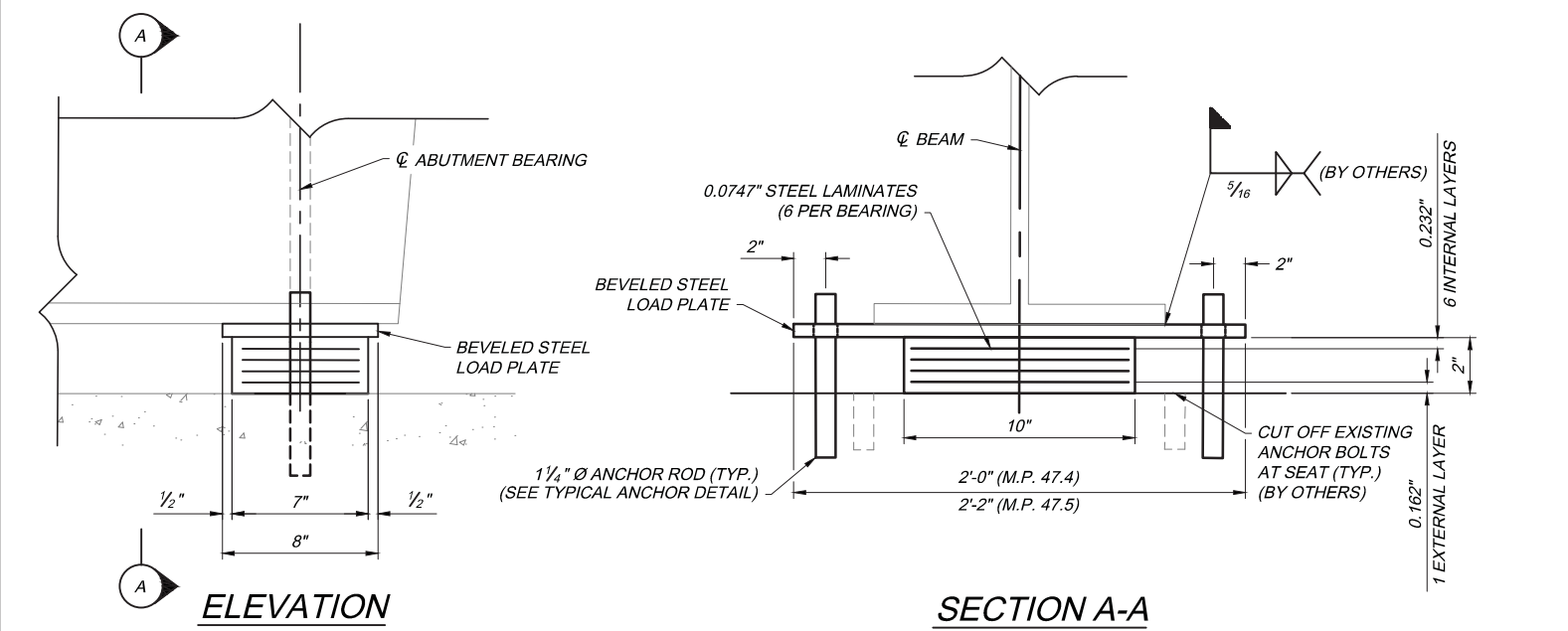
(Printed Name) _____

(Date) _____

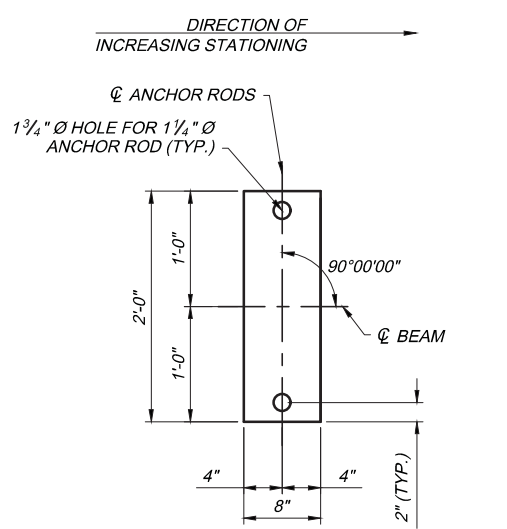
THE FOREGOING RESPONSES ARE INCORPORATED INTO THE INVITATION TO BID



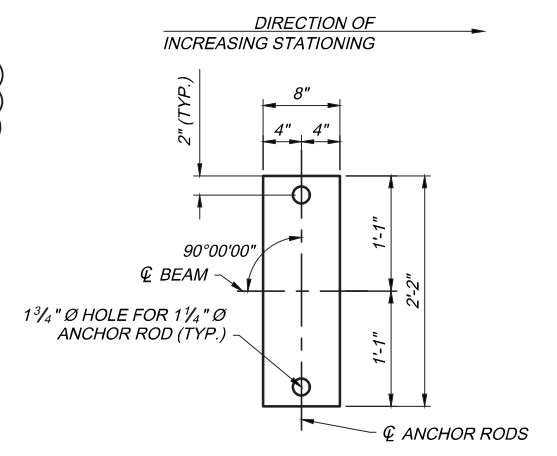
EXPANSION ABUTMENT BEARING DETAIL



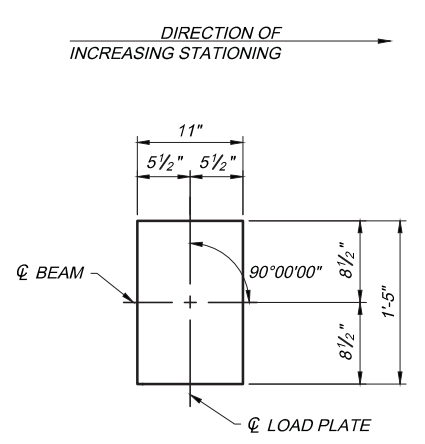
FIXED ABUTMENT BEARING DETAIL



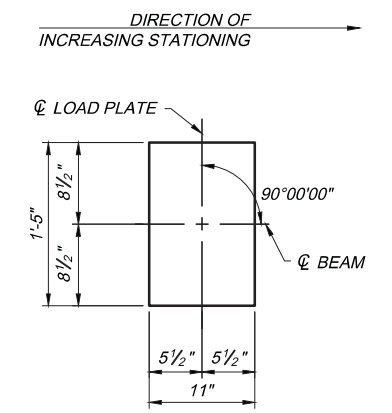
M.P. 47.4 FIXED ABUTMENT BEARING LOAD PLATE PLAN



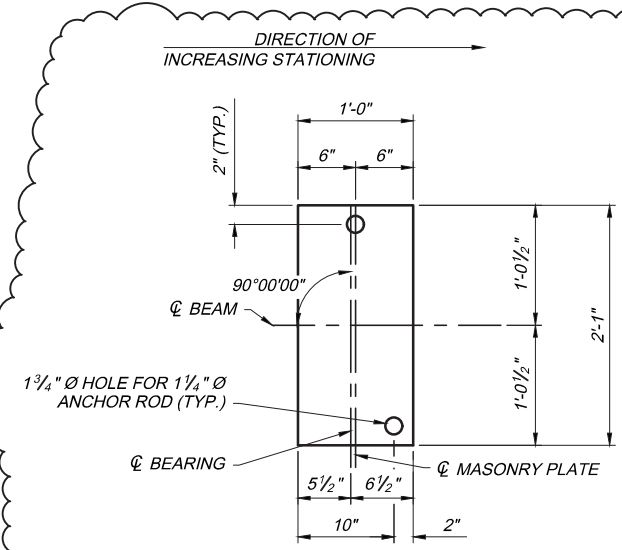
M.P. 47.5 FIXED ABUTMENT BEARING LOAD PLATE PLAN



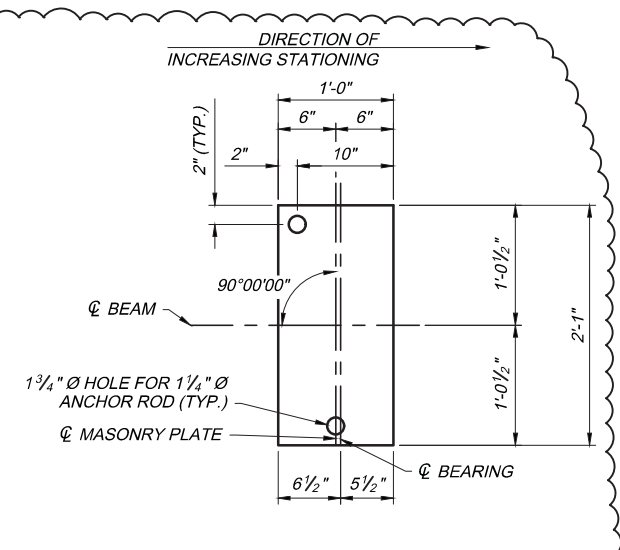
M.P. 47.4 EXPANSION ABUTMENT BEARING LOAD PLATE PLAN



M.P. 47.5 EXPANSION ABUTMENT BEARING LOAD PLATE PLAN



M.P. 47.4 EXPANSION ABUTMENT BEARING MASONRY PLATE PLAN



M.P. 47.5 EXPANSION ABUTMENT BEARING MASONRY PLATE PLAN

NOTES

1. FOR BEARING DIMENSIONS AND NOTES SEE SHEET 1/2.



474_475_BR002.dwg, 11/12/18 - 2:42pm

PROJECT 43-19-07	DATE: 10/23/18	M.P. 47.4 AND M.P. 47.5	FULTON COUNTY	DESIGNED CPM DRAWN CPM	CHECKED APM IN CHARGE KJJ	NO. 1	REVISED ADDENDUM 1	BY DATE APM 11/18	DESIGN AGENCY NORTHWEST CONSULTANTS, INC. 3220 CENTRAL PARK WEST TOLEDO, OHIO 43617 P: (419) 841-4704 F: (419) 841-2979
BEARING DETAILS									
OHIO TURNPIKE AND INFRASTRUCTURE COMMISSION									