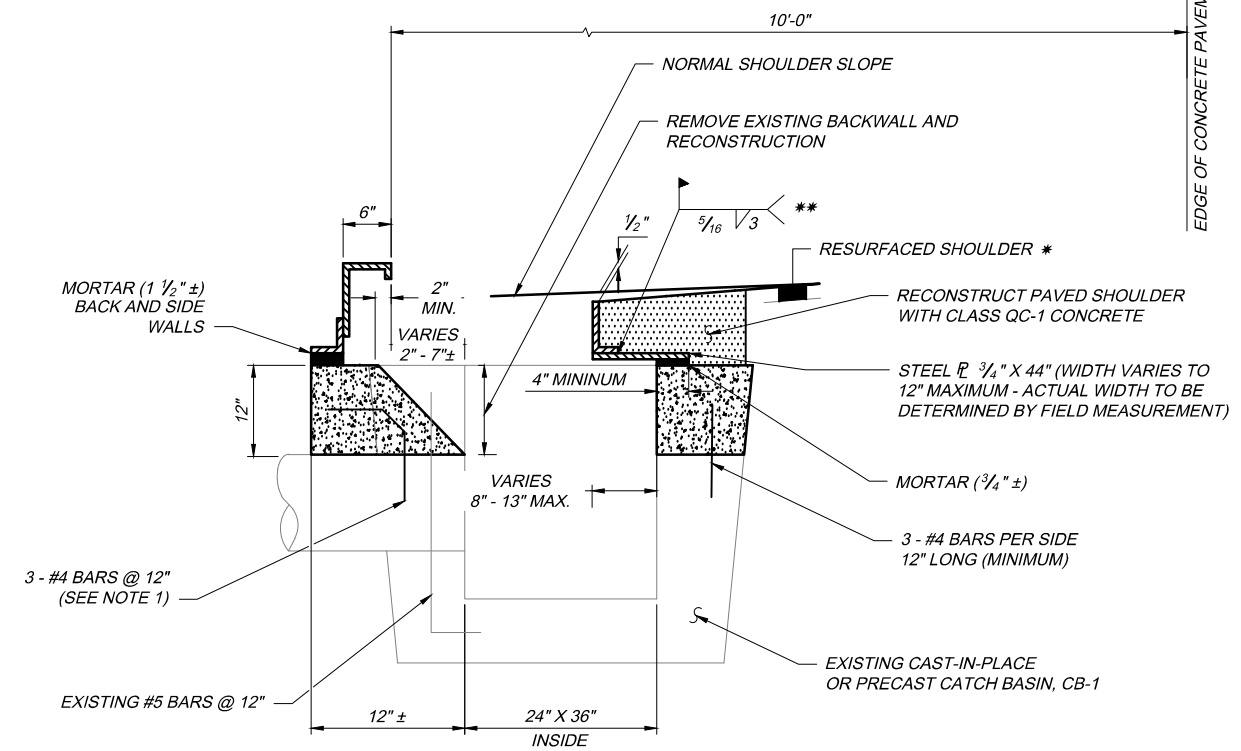


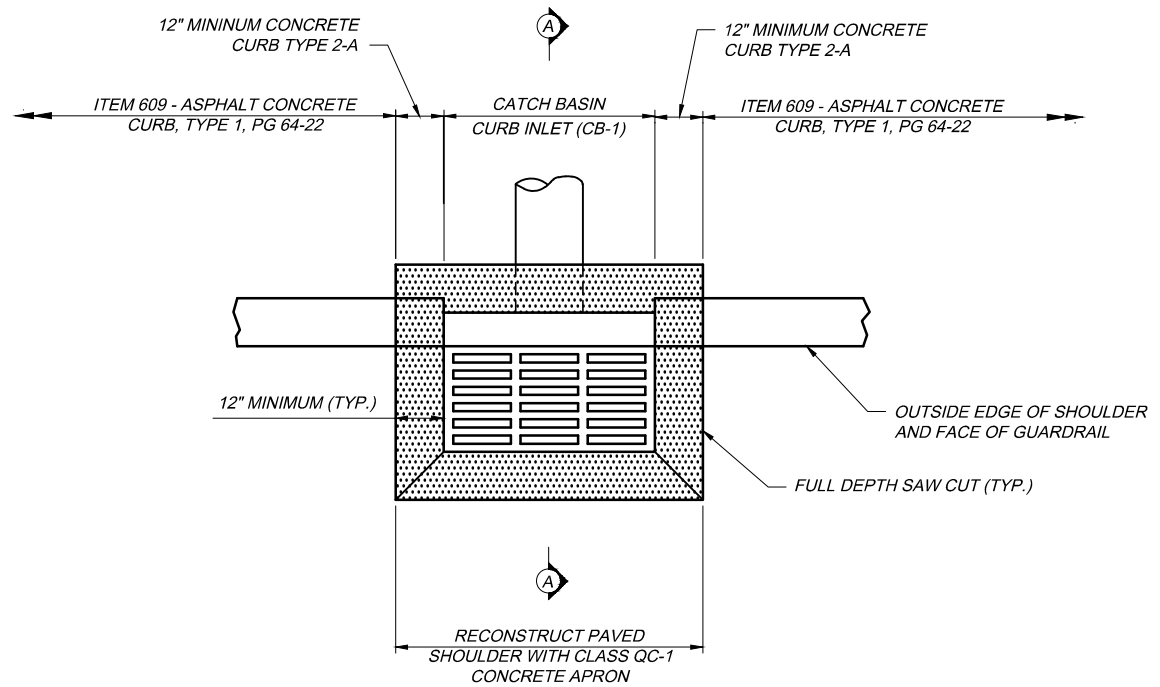
CATCH BASIN, RECONSTRUCTED TO GRADE, LESS THAN 4"
(TO BE USED FOR LATERAL ADJUSTMENT ≤ 8")

* IF EXISTING WALL THICKNESS IS GREATER THAN 12" THIS DETAIL MAY BE USED FOR LATERAL ADJUSTMENTS > 8" PROVIDED THE MINIMUM DIMENSIONS AND THE FULL BEARING AREA AT THE BACKWALL ARE MAINTAINED.

** WELD SHALL BE CENTERED ON LENGTH OF PLATE. WELD SHALL BE MADE WITH 750 POLYWELD IF THE MATERIALS ARE DISSIMILAR.



CATCH BASIN, RECONSTRUCTED TO GRADE, GREATER THAN 4"
(TO BE USED FOR LATERAL ADJUSTMENT > 8")



PLAN VIEW - CATCH BASINS

NOTES:

1. CATCH BASIN, RECONSTRUCTED TO GRADE, GREATER THAN 4": THE CONTRACTOR SHALL RECONSTRUCT THE EXISTING CATCH BASIN FROM THE TOP OF PRECAST STRUCTURE TO THE EXISTING GRADE USING CLASS QC-1 CONCRETE. THE USE OF BRICK OR MASONRY BLOCKS TO REBUILD THE CATCH BASIN SHALL BE PROHIBITED. THE PAVEMENT SHALL BE SAWCUT A MINIMUM OF 12" FROM THE CASTING. CLEAN THE EXISTING CASTING PRIOR TO REINSTALLING. NO. 4 DOWEL BARS SHALL BE SPACED 12" O/C, 3 PER SIDE UNLESS DIRECTED BY THE CHIEF ENGINEER, IN ACCORDANCE WITH CMS 509. THE DOWEL BARS SHALL BE EMBEDDED AT LEAST 6" IN THE NEW CONCRETE AND INTO THE EXISTING STRUCTURE. THE DOWEL BARS SHALL BE EMBEDDED INTO THE EXISTING STRUCTURE IN ACCORDANCE WITH CMS 510 USING NON-SHRINK, NON-METALLIC GROUT THAT CONFORMS TO CMS 705.20. FORMS SHALL BE SIZED TO CONFORM TO THE INTERIOR OF THE CATCH BASIN THAT WILL ENSURE A SMOOTH INTERIOR FINISH. ALL OTHER CONCRETE SURFACES SHALL HAVE A BROOMED FINISH.
2. CATCH BASIN, RECONSTRUCTED TO GRADE, LESS THAN 4": THE SAME METHOD SHALL BE USED TO RECONSTRUCT THE CATCH BASINS TO GRADE, EXCEPT THAT NO FORMS OR DOWELS ARE REQUIRED.
3. GRATE AND CASTING: THE EXISTING GRATE AND CASTING SHALL BE REUSED UNLESS DIRECTED OTHERWISE BY THE CHIEF ENGINEER. A CONTINGENCY QUANTITY OF SP 611 - CATCH BASIN, NO. CB-1, GRATE AND CASTING HAS BEEN INCLUDED FOR USE AS DIRECTED BY THE CHIEF ENGINEER. THE REPLACEMENT GRATE AND CASTING SUPPLIED SHALL BE A NEENAH FOUNDRY CO., MODEL NO. R-3246 (HEAVY DUTY), EAST JORDAN IRON WORKS, MODEL NO. 7030 (HEAVY DUTY) OR AN APPROVED EQUAL. THE FOLLOWING TEXT SHALL BE CAST INTO THE TOP OF THE GRATE: "**DUMP NO WASTE**" AND "**DRAINS TO WATERWAY**". TEXT SHALL BE PRINTED IN BOLD, CAPITAL LETTERS WITH A MINIMUM HEIGHT OF 1/2". "**WATERWAY**" MAY BE SUBSTITUTED WITH "**STREAM**", "**RIVER**", "**LAKE**", ETC. ACTUAL PLACEMENT AND LOGO MAY VARY PER MANUFACTURER.
4. STEEL PLATE: THE EXISTING PLATE THAT IS ATTACHED TO THE FRAME OF THE CASTING SHALL BE REMOVED AND REPLACED AS SHOWN ABOVE. A PLATE IS NOT REQUIRED IF THE FRAME IS SUPPORTED COMPLETELY ON THE STRUCTURE.
5. PAYMENT: ALL MATERIALS AND LABOR, INCLUDING PAVEMENT REMOVAL, RECONSTRUCTED PAVED SHOULDER, RECONSTRUCTED ADJACENT ASPHALT CURB ARE INCLUDED IN THE CONTRACT UNIT PRICE PER THE FOLLOWING ITEMS REQUIRED TO RECONSTRUCT THE CATCH BASIN AS SHOWN ABOVE, COMPLETE AND ACCEPTED:

ITEM SP 611 - CATCH BASIN, RECONSTRUCTED TO GRADE, LESS THAN 4"
ITEM SP 611 - CATCH BASIN, RECONSTRUCTED TO GRADE, 4" - 12"
ITEM SP 611 - CATCH BASIN, RECONSTRUCTED TO GRADE, GREATER THAN 12"