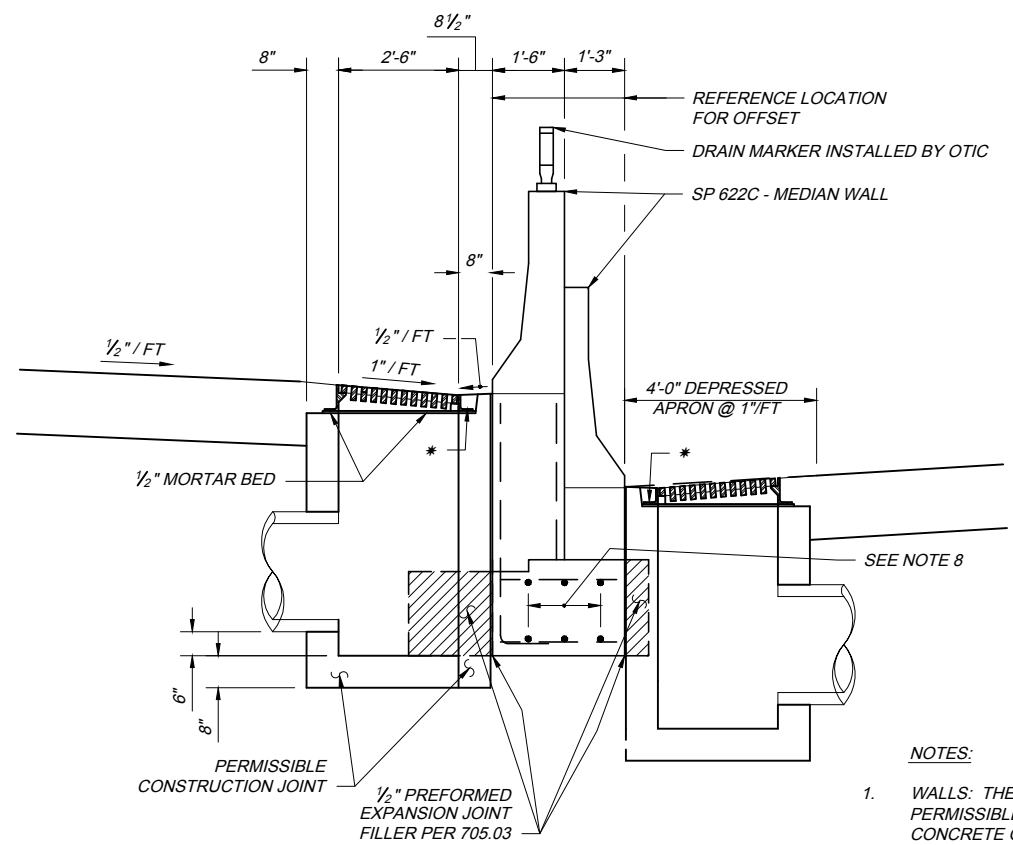


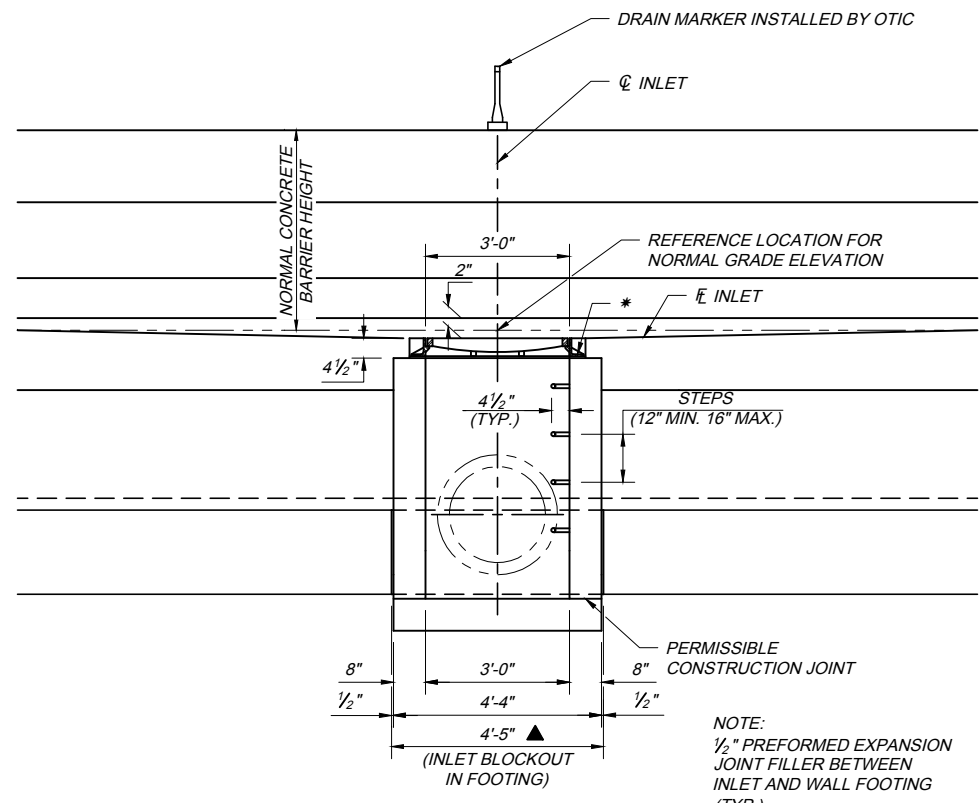
PLAN VIEW



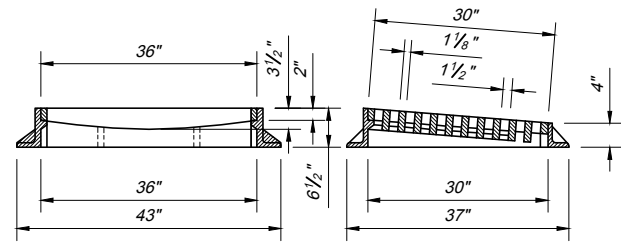
SECTION VIEW B-B

NOTES:

1. WALLS: THE WALLS BETWEEN THE BOTTOM SLAB AND THE UPPER PERMISSIBLE CONSTRUCTION JOINT MAY BE BUILT OF CAST-IN-PLACE CONCRETE OR PRECAST. CAST-IN-PLACE CONCRETE SHALL HAVE A WALL THICKNESS OF 8" NOMINAL FOR DEPTHS OF 12' OR LESS. PRECAST WALLS SHALL HAVE A MINIMUM THICKNESS OF 6" AND BE REINFORCED SUFFICIENTLY TO PERMIT SHIPPING AND HANDLING WITHOUT DAMAGE. THE UNIT ABOVE THE UPPER PERMISSIBLE CONSTRUCTION JOINT MAY BE PRECAST OR CAST-IN-PLACE.
2. CONCRETE: CAST-IN-PLACE, TO BE CLASS QC-1 CONCRETE. ALL PRECAST CONCRETE SHALL MEET THE REQUIREMENTS OF 706.13 WITH 6 ±2% AIR VOID CONTENT IN THE HARDENED CONCRETE. REQUIRED MARKINGS SHALL INCLUDE THE INLET NUMBER. PRECAST UNITS SHALL BE BACKFILLED WITH LOW STRENGTH MORTAR, TYPE 2 AS PER SP 611 AND ITEM 613.
3. STEPS AND CASTING: STEPS SHALL BE IN ACCORDANCE WITH ODOT STANDARD DRAWING MH-1.1. CASTING: MINIMUM WEIGHT OF FRAME AND COVER SHALL BE 540 POUNDS.
4. OPENINGS: PIPE OPENINGS SHALL BE O.D. PLUS 2" WHEN PREFABRICATED OR CORED. FILL ANY VOIDS PER SP 611.
5. INLETS OVER 12 FEET IN DEPTH: SUCH INLETS SHALL BE PRECAST OF CAST-IN-PLACE CONCRETE; REINFORCED WITH EPOXY COATED #4 BARS ON 12" CENTERS BOTH VERTICALLY AND HORIZONTALLY WITH 2" CLEARANCE FROM THE INSIDE WALL FACE.
6. IF A SKEWED PIPE PROTRUDES MORE THAN 2" INSIDE A WALL, THE PIPE SHALL BE TRIMMED FLUSH AND FINISHED TO PROVIDE A NEAT APPEARANCE.
7. FOR MEDIAN WALL DETAILS, SEE OTIC STANDARD DRAWINGS CBM-1 THRU CBM-5.
8. FOUR ADDITIONAL EPOXY COATED #5 BARS, 10'-0" LONG, CENTERED ABOUT THE CENTERLINE OF THE CATCH BASIN, SHALL BE PLACED, 2 TOP AND 2 BOTTOM, IN THE FOOTING. THE COST SHALL BE INCLUDED WITH THE COST OF SP 611 - CATCH BASIN, MEDIAN WALL.
9. PAYMENT: PAYMENT WILL BE MADE AT THE UNIT PRICE BID PER EACH FOR SP 611 - CATCH BASIN, MEDIAN WALL AND SHALL INCLUDE ALL MATERIALS, REINFORCING STEEL AND CASTINGS AND LABOR REQUIRED TO CONSTRUCT THE CATCH BASIN AS SHOWN, COMPLETE AND ACCEPTED.
10. THE FOLLOWING TEXT SHALL BE CAST INTO THE TOP OF THE GRATE:
"DUMP NO WASTE" AND **"DRAIN TO WATERWAY"**
 TEXT SHALL BE PRINTED IN BOLD, CAPITAL LETTERS WITH A MINIMUM HEIGHT OF 1/2". **"WATERWAY"** MAY BE SUBSTITUTED WITH **"STREAM"**, **"RIVER"**, **"LAKE"**, ETC. ACTUAL PLACEMENT AND LOGO MAY VARY PER MANUFACTURER.



ELEVATION VIEW A-A



CASTING DETAILS

- DENOTES 1/2" PREFORMED EXPANSION JOINT FILLER BETWEEN SIDES OF CATCH BASIN AND FOOTING NOTCH.

CB-3 2017.10.20.dwg; 10/25/17 - 3:55pm