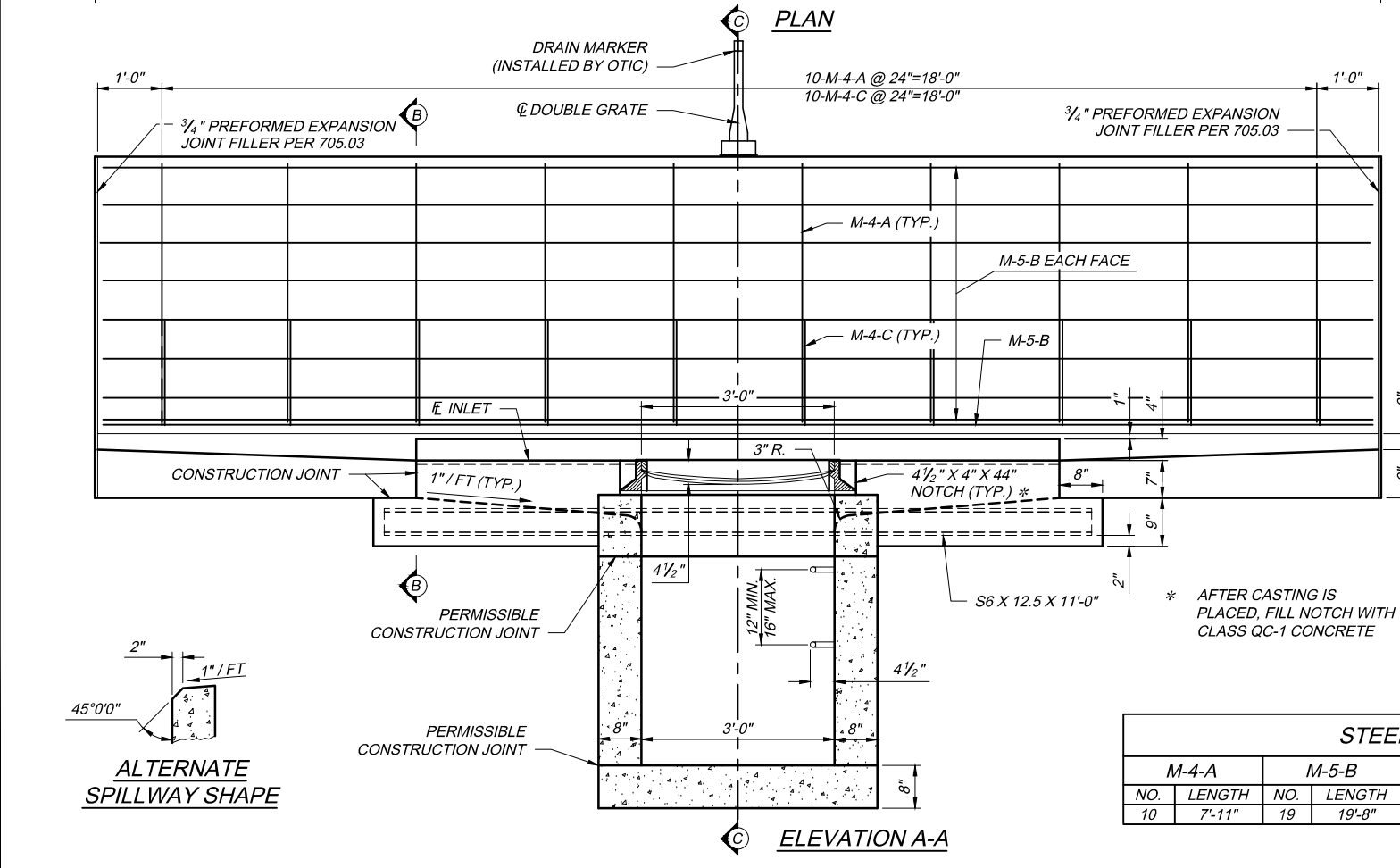
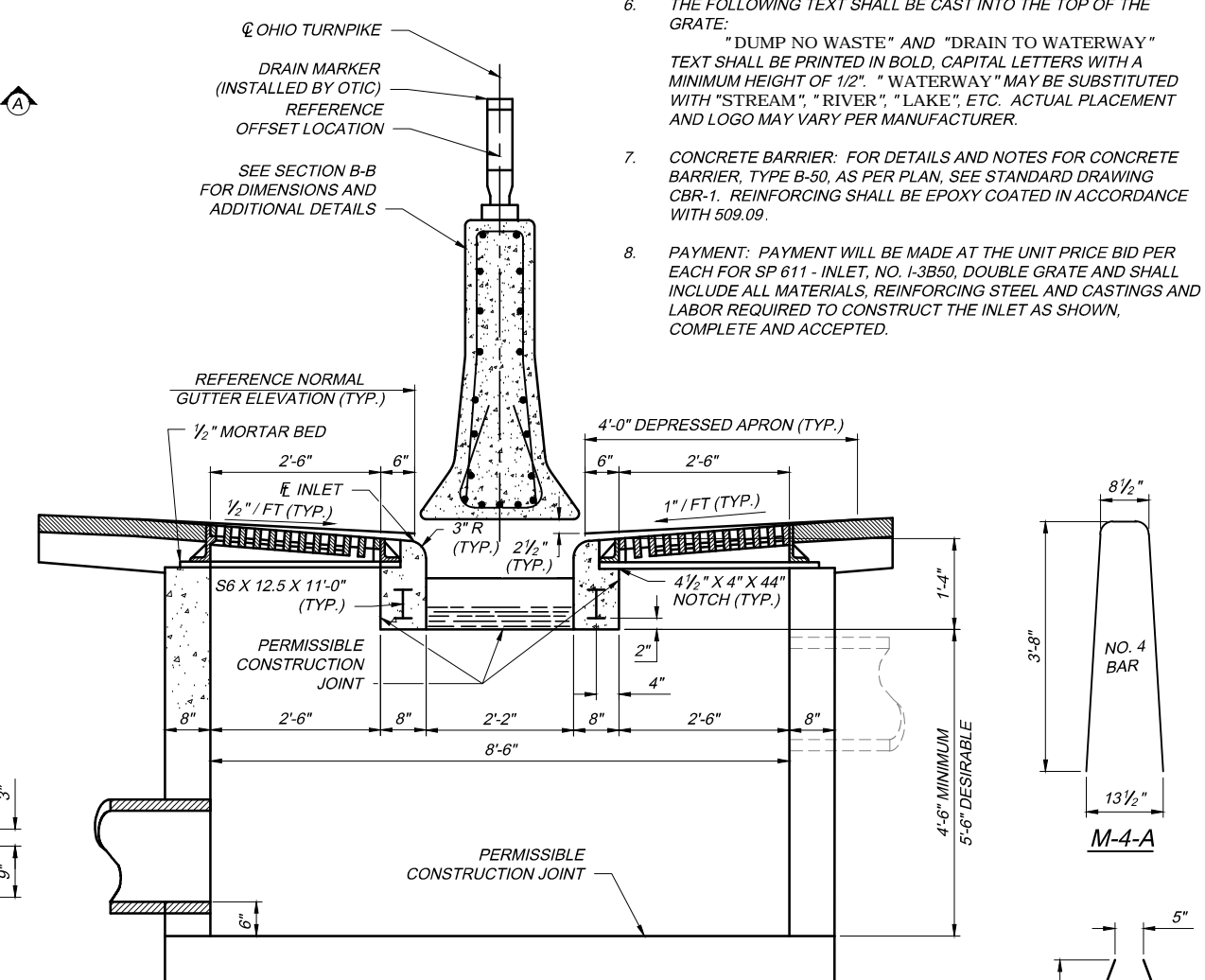
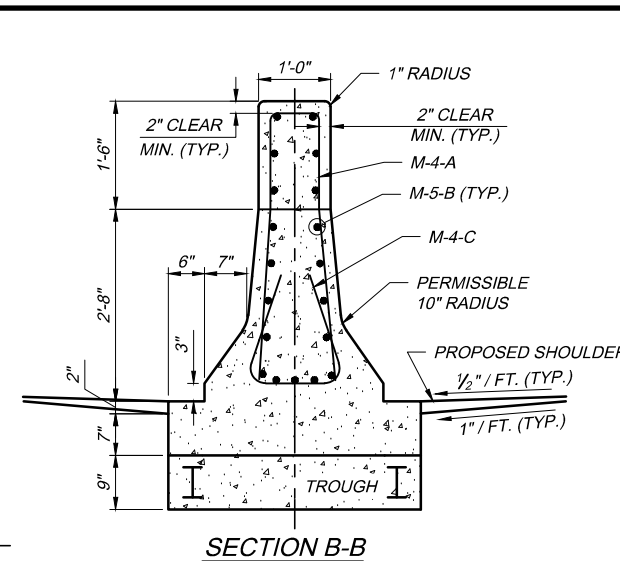
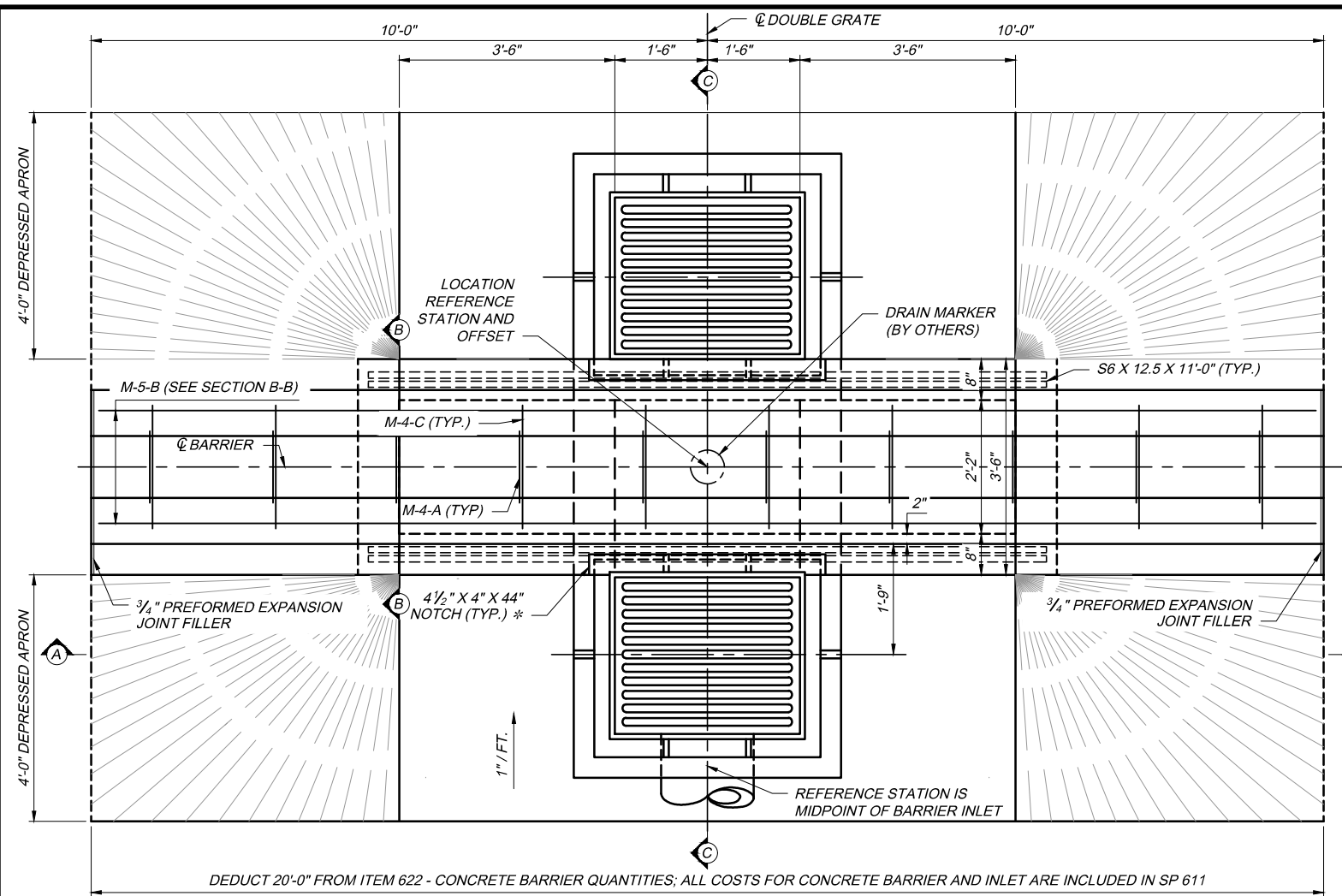
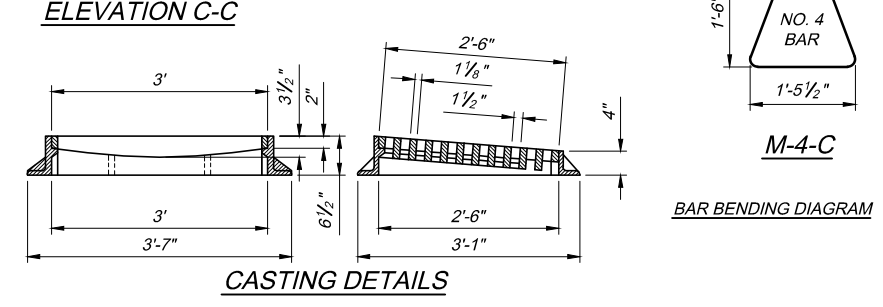


CB-4 2017.10.20.dwg - 11/09/17 - 1:04pm



**STEEL LIST**

M-4-A		M-5-B		M-4-C		S6 X 12.5	
NO.	LENGTH	NO.	LENGTH	NO.	LENGTH	NO.	LENGTH
10	7'-11"	19	19'-8"	10	4'-6"	2	11'-0"



- NOTES:**
- WALLS: THE WALLS BETWEEN THE BOTTOM SLAB AND THE UPPER PERMISSIBLE CONSTRUCTION JOINT MAY BE BUILT OF CAST-IN-PLACE CONCRETE OR PRECAST. CAST-IN-PLACE CONCRETE SHALL HAVE A WALL THICKNESS OF 8" NOMINAL FOR DEPTHS OF 12' OR LESS. PRECAST WALLS SHALL HAVE A MINIMUM THICKNESS OF 6" AND BE REINFORCED SUFFICIENTLY TO PERMIT SHIPPING AND HANDLING WITHOUT DAMAGE. THE UNIT ABOVE THE UPPER PERMISSIBLE CONSTRUCTION JOINT MAY BE PRECAST OR CAST-IN-PLACE.
  - CONCRETE: CAST-IN-PLACE, TO BE CLASS QC-1 CONCRETE. ALL PRECAST CONCRETE SHALL MEET THE REQUIREMENTS OF 706.13 WITH 6 ±2% AIR VOID CONTENT IN THE HARDENED CONCRETE. REQUIRED MARKINGS SHALL INCLUDE THE INLET NUMBER. PRECAST UNITS SHALL BE BACKFILLED WITH LOW STRENGTH MORTAR, TYPE 2 AS PER SP 611 AND ITEM 613.
  - STEPS AND CASTING: STEPS SHALL BE IN ACCORDANCE WITH ODOT STANDARD DRAWING MH-1.1. CASTING: MINIMUM WEIGHT OF FRAME AND COVER SHALL BE 540 POUNDS.
  - OPENINGS: PIPE OPENINGS SHALL BE OUTSIDE DIAMETER PLUS 2" WHEN PREFABRICATED OR CORED. FILL ANY VOIDS PER SP 611.
  - INLETS OVER 12 FEET IN DEPTH: SUCH INLETS SHALL BE PRECAST OF CAST-IN-PLACE CONCRETE; REINFORCED WITH EPOXY COATED #4 BARS ON 12" CENTERS BOTH VERTICALLY AND HORIZONALLY WITH 2" CLEARANCE FROM THE INSIDE WALL FACE.
  - THE FOLLOWING TEXT SHALL BE CAST INTO THE TOP OF THE GRATE:  
"DUMP NO WASTE" AND "DRAIN TO WATERWAY" TEXT SHALL BE PRINTED IN BOLD, CAPITAL LETTERS WITH A MINIMUM HEIGHT OF 1/2". "WATERWAY" MAY BE SUBSTITUTED WITH "STREAM", "RIVER", "LAKE", ETC. ACTUAL PLACEMENT AND LOGO MAY VARY PER MANUFACTURER.
  - CONCRETE BARRIER: FOR DETAILS AND NOTES FOR CONCRETE BARRIER, TYPE B-50, AS PER PLAN, SEE STANDARD DRAWING CBR-1. REINFORCING SHALL BE EPOXY COATED IN ACCORDANCE WITH 509.09.
  - PAYMENT: PAYMENT WILL BE MADE AT THE UNIT PRICE BID PER EACH FOR SP 611 - INLET, NO. I-3B50, DOUBLE GRATE AND SHALL INCLUDE ALL MATERIALS, REINFORCING STEEL AND CASTINGS AND LABOR REQUIRED TO CONSTRUCT THE INLET AS SHOWN, COMPLETE AND ACCEPTED.

**STANDARD DRAWING**      DATE: OCTOBER 20, 2017  
**INLET, NO. I-3B50 DOUBLE GRATE**  
**CB-4**

**OHIO TURNPIKE AND INFRASTRUCTURE COMMISSION**  
 OHIO TURNPIKE

1 / 1